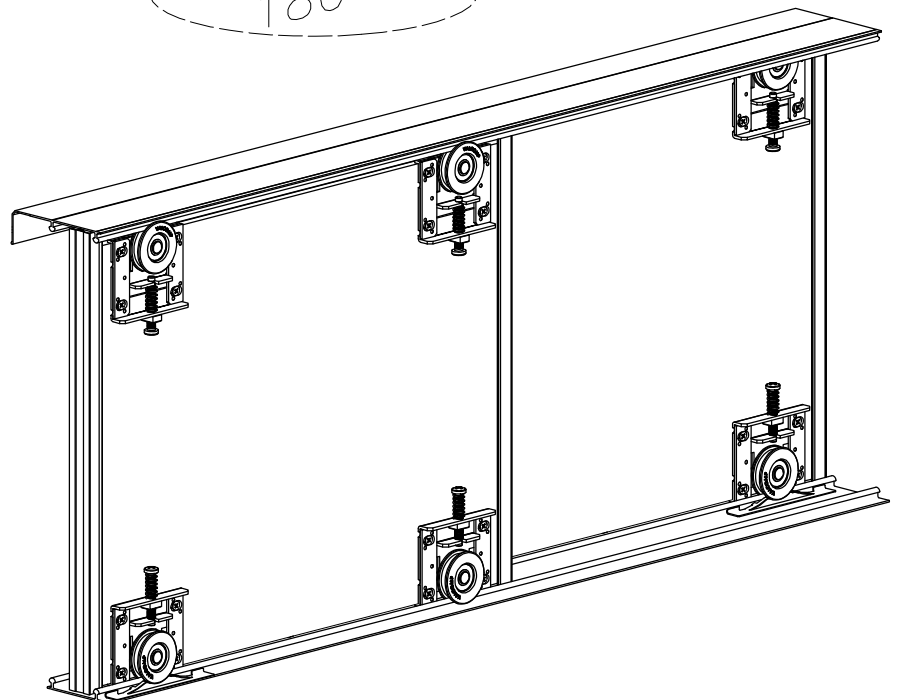
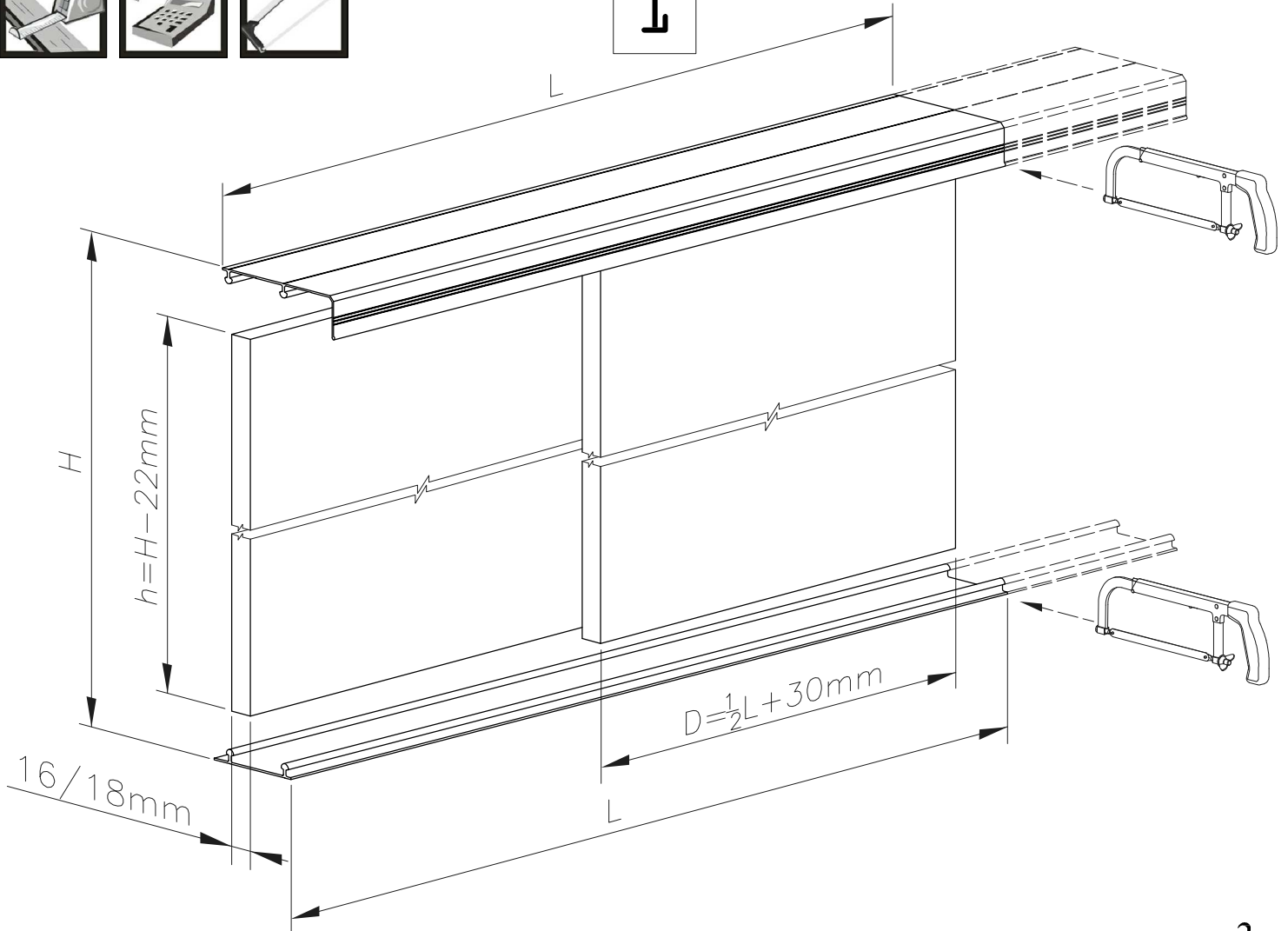
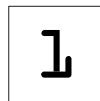
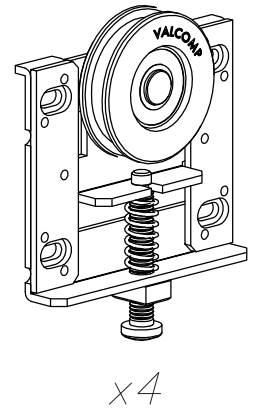
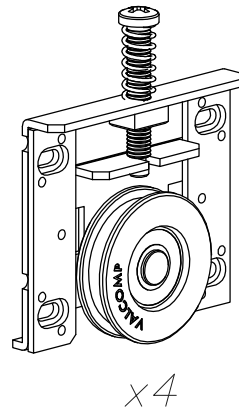
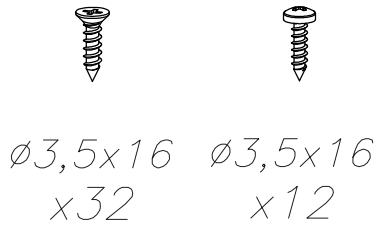
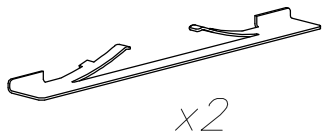
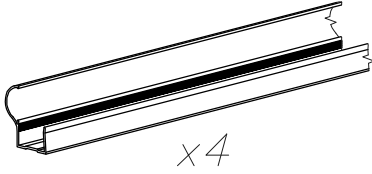
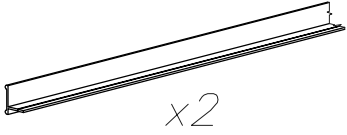
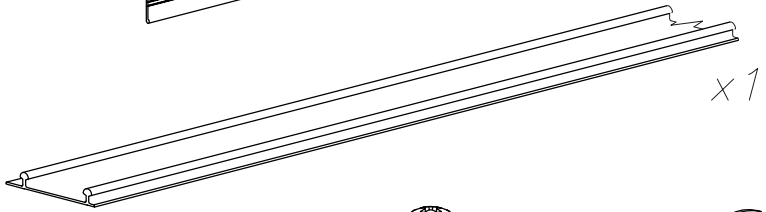
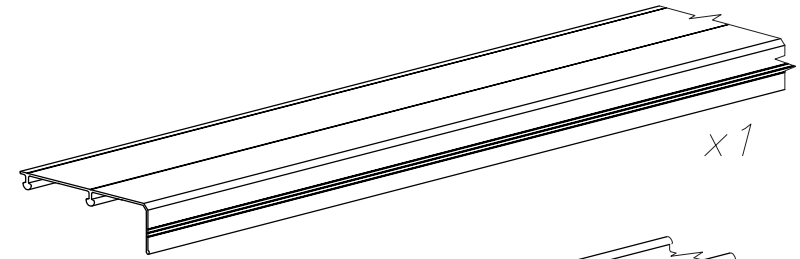
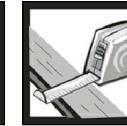
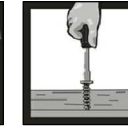




www.valcomp.pl

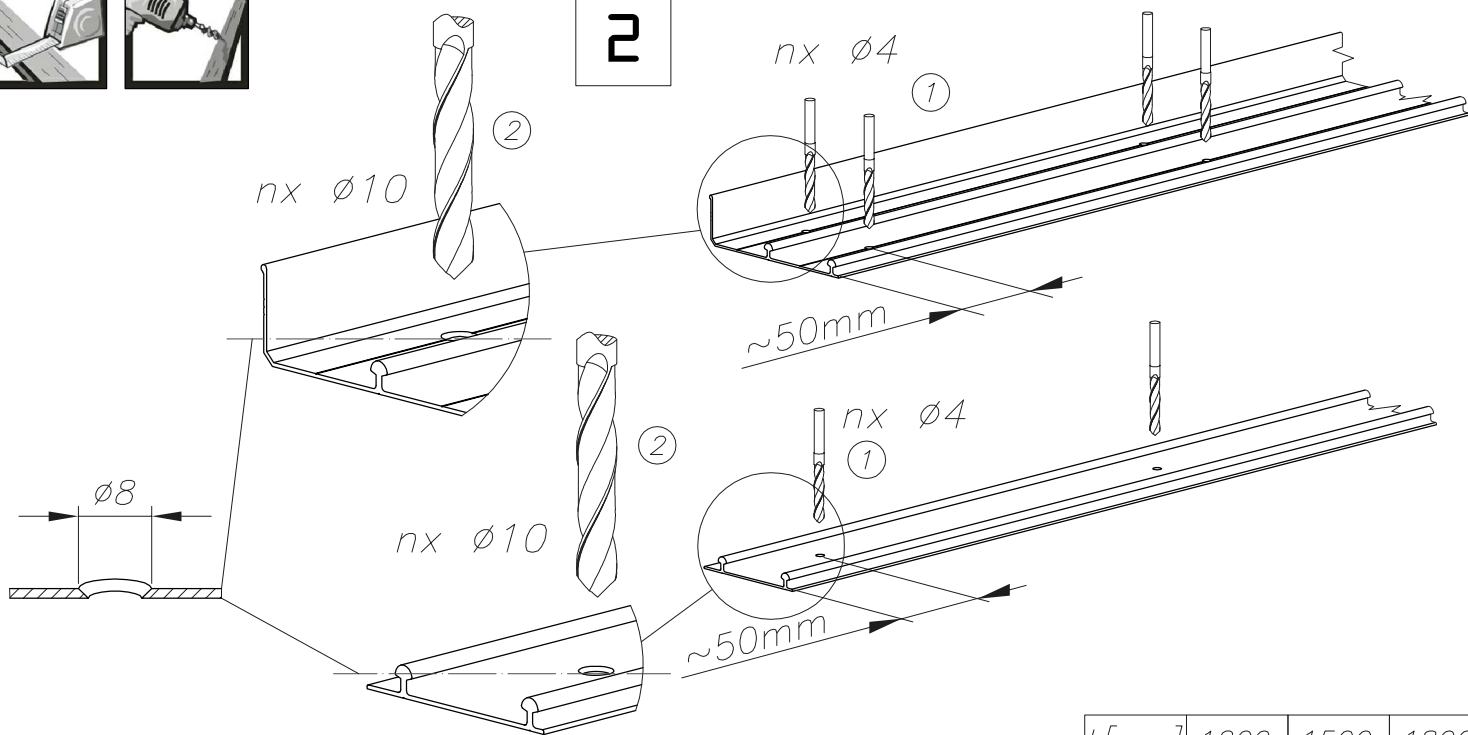
ARES 3







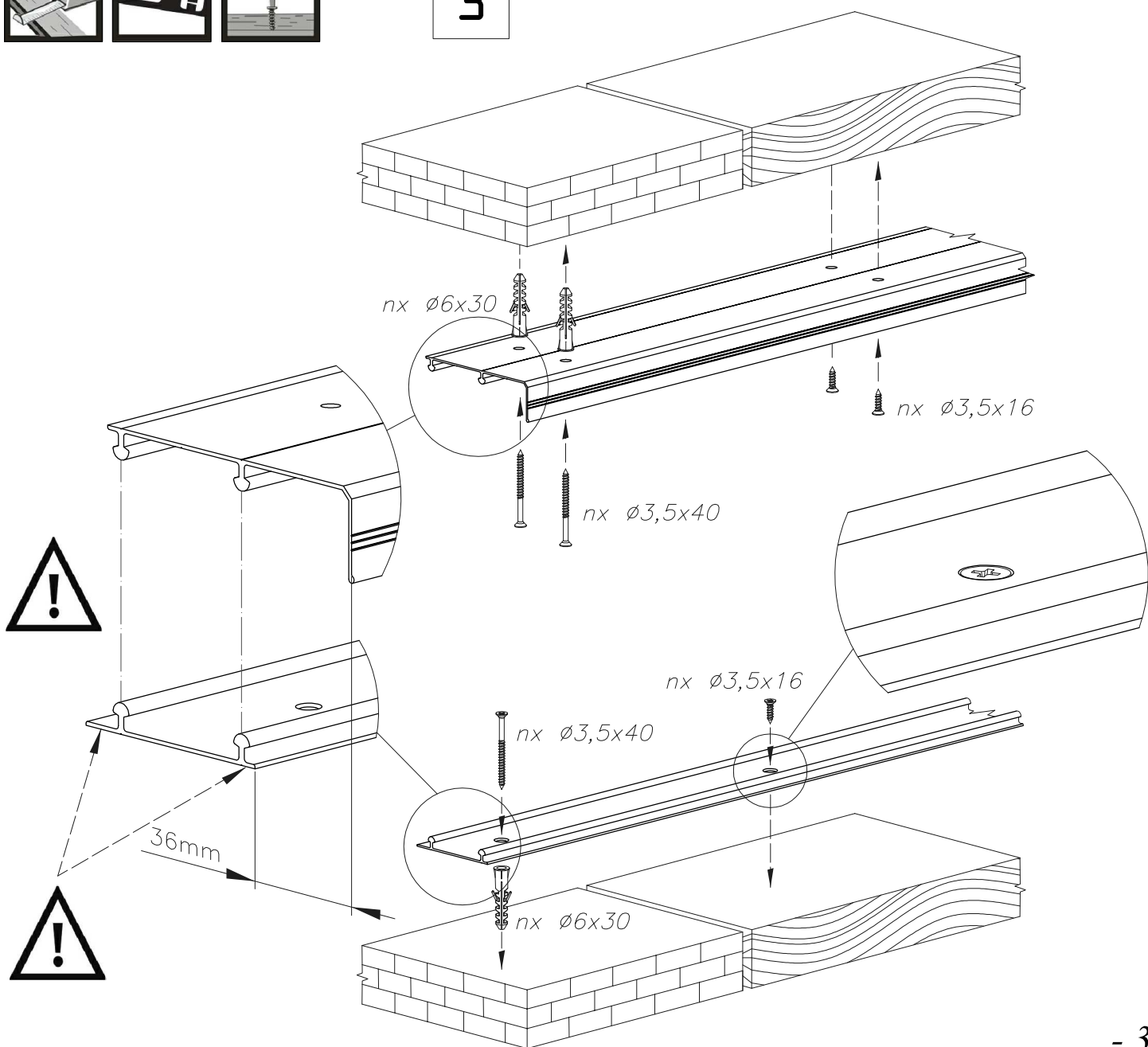
2



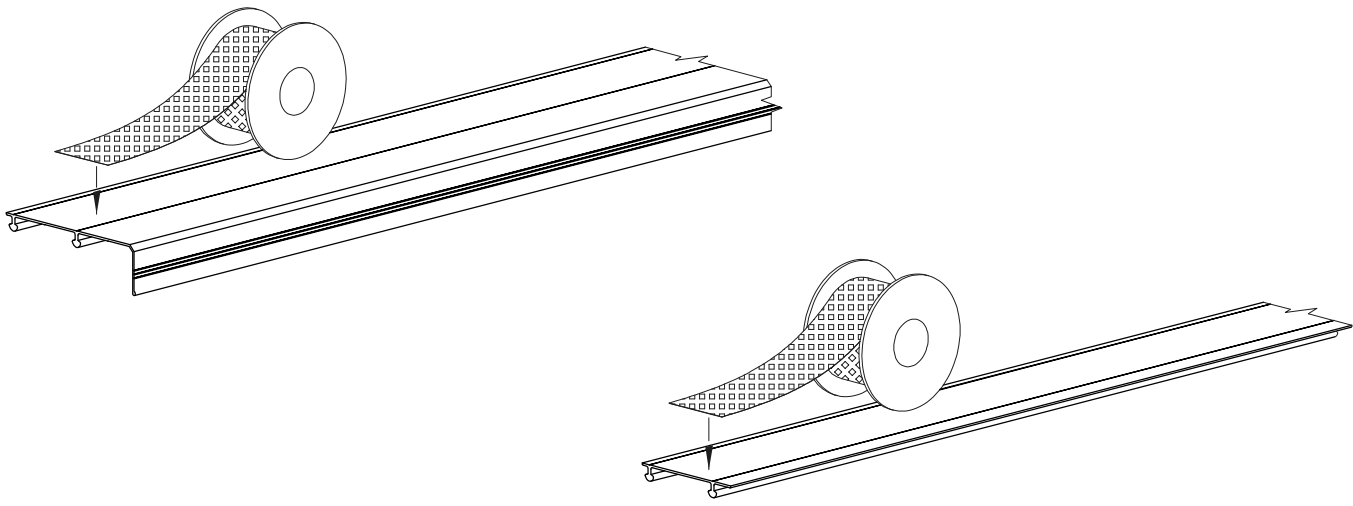
L[mm]	1200	1500	1800
n[szt]	3	3	4



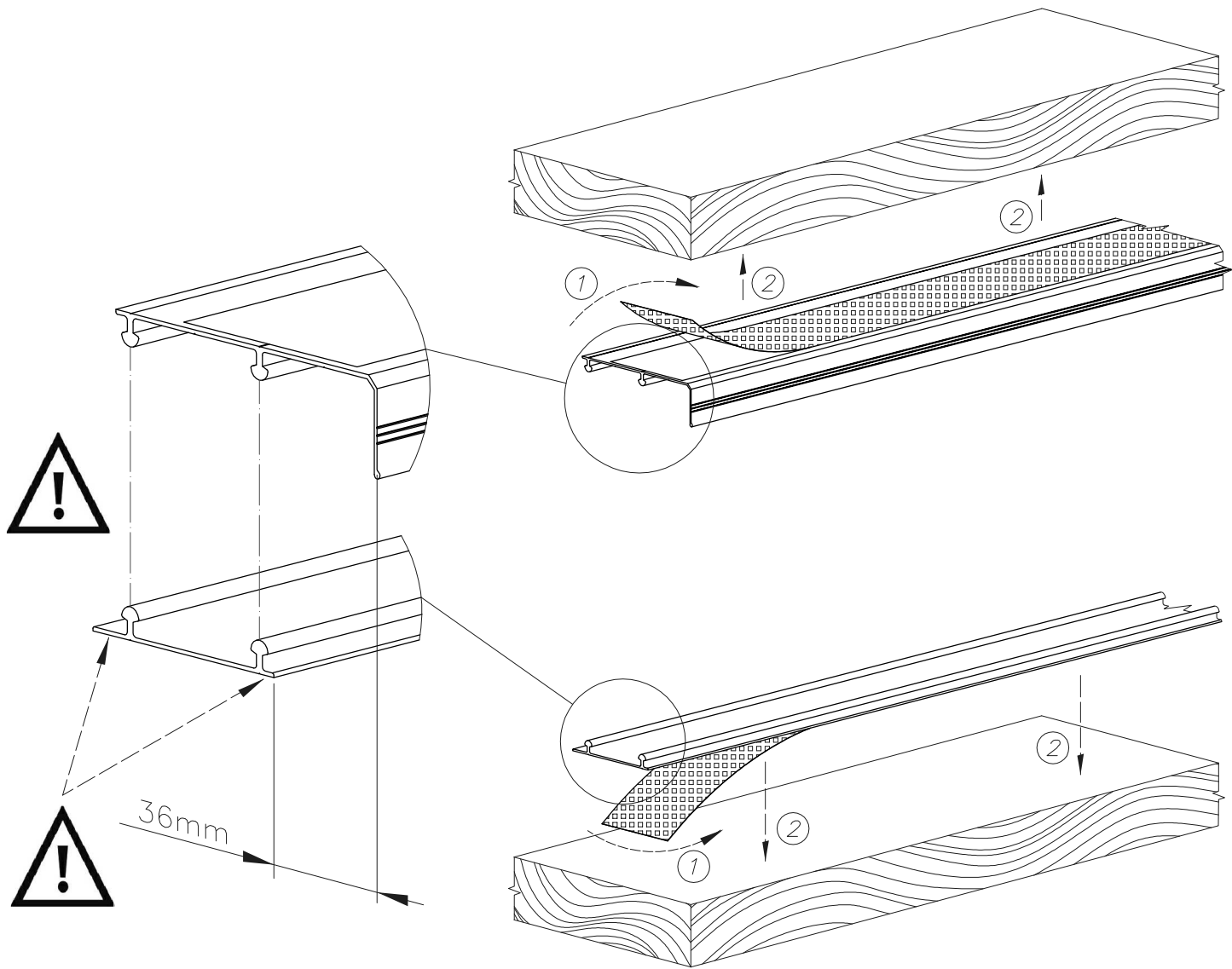
3

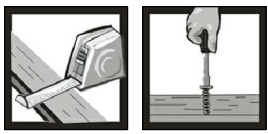


2'

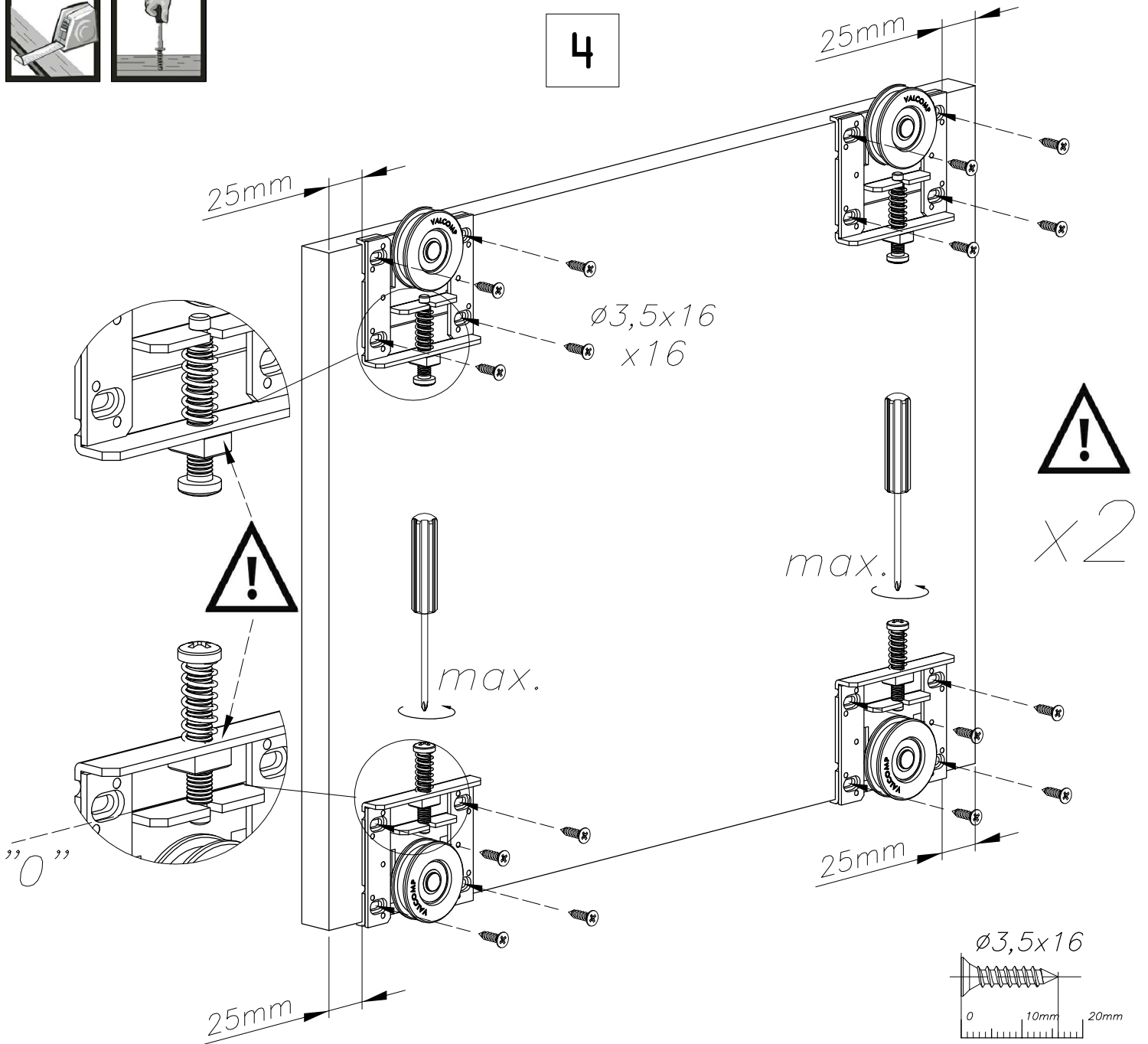


3'

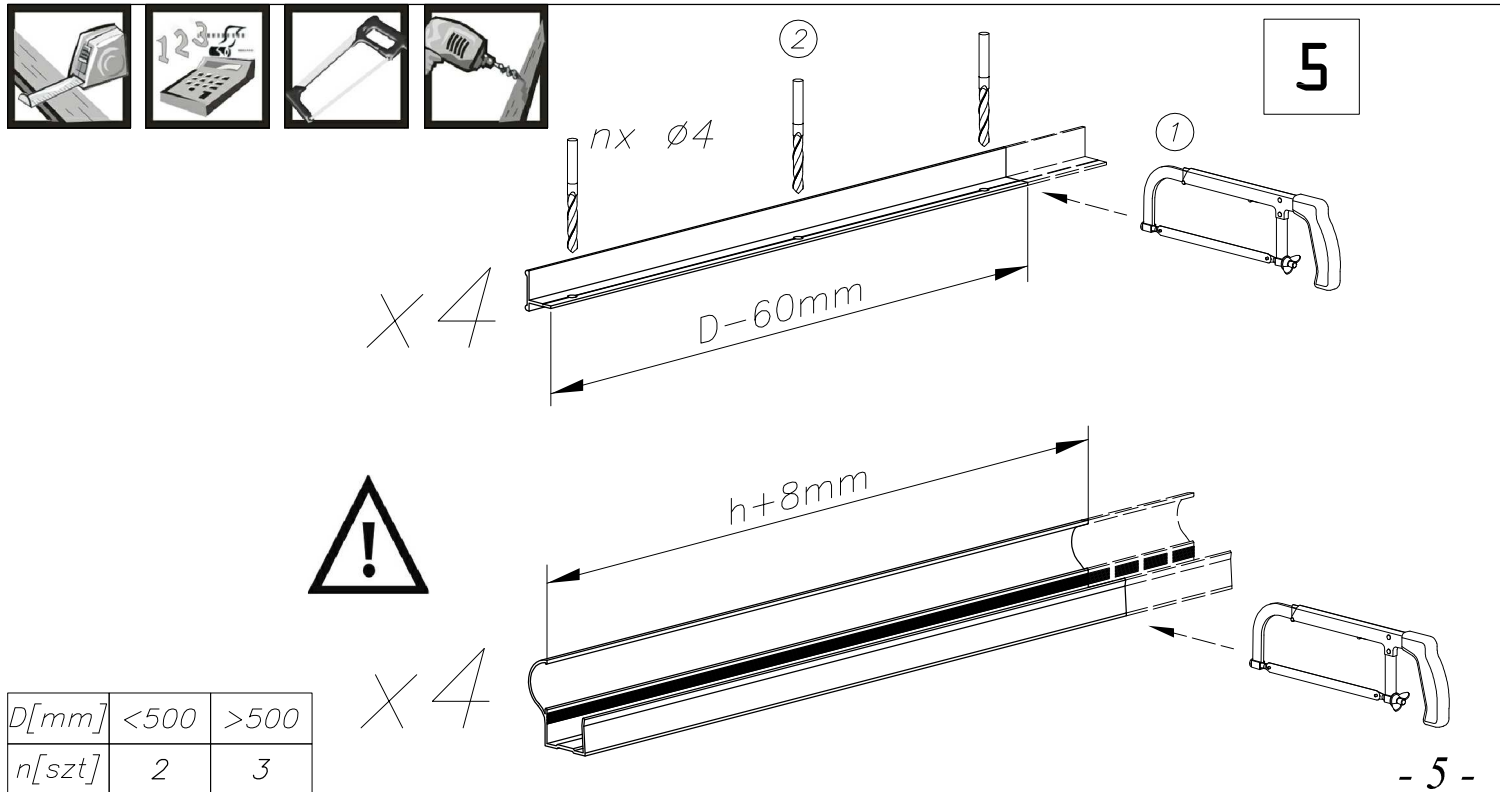


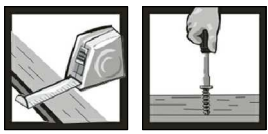


4

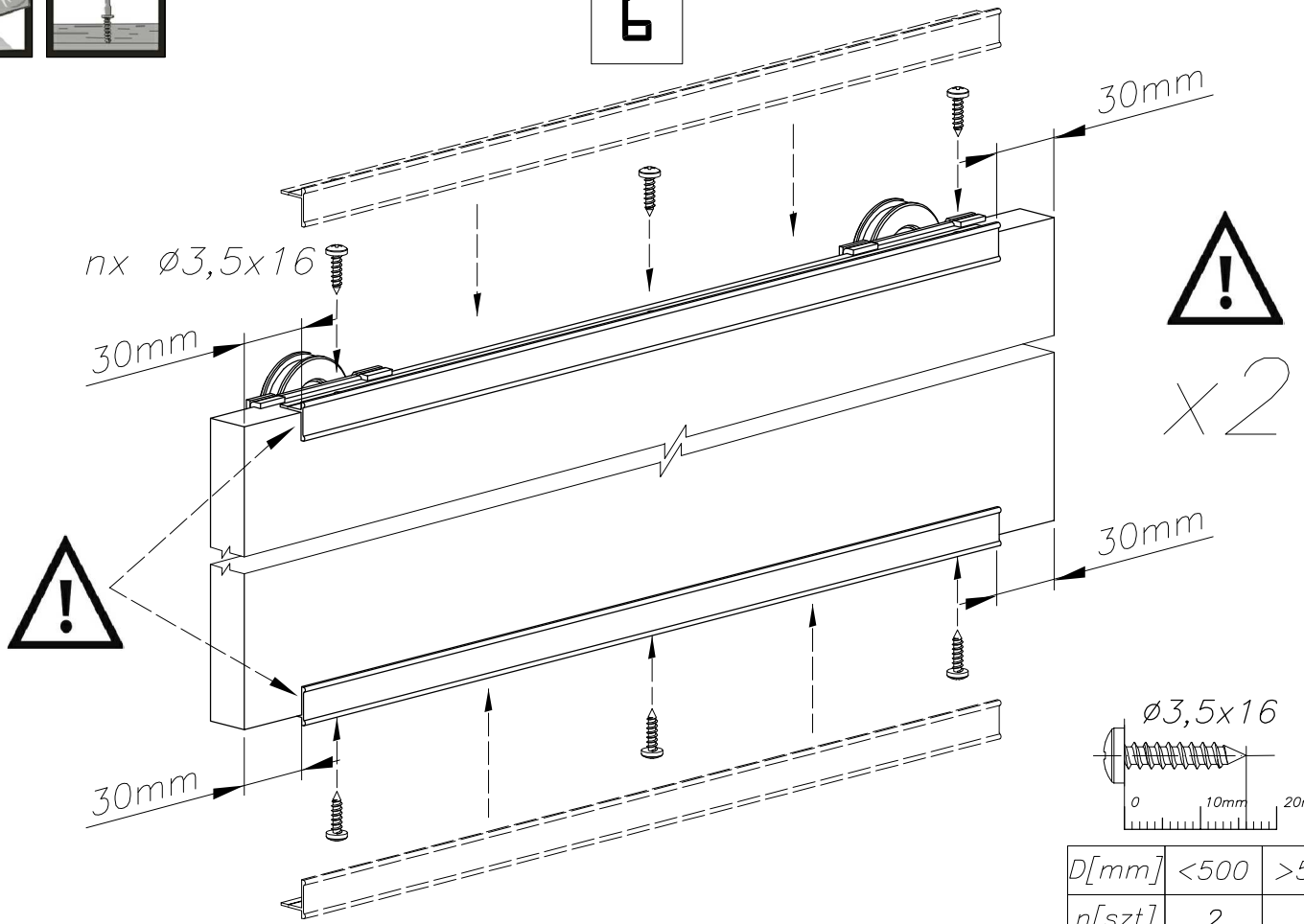


5

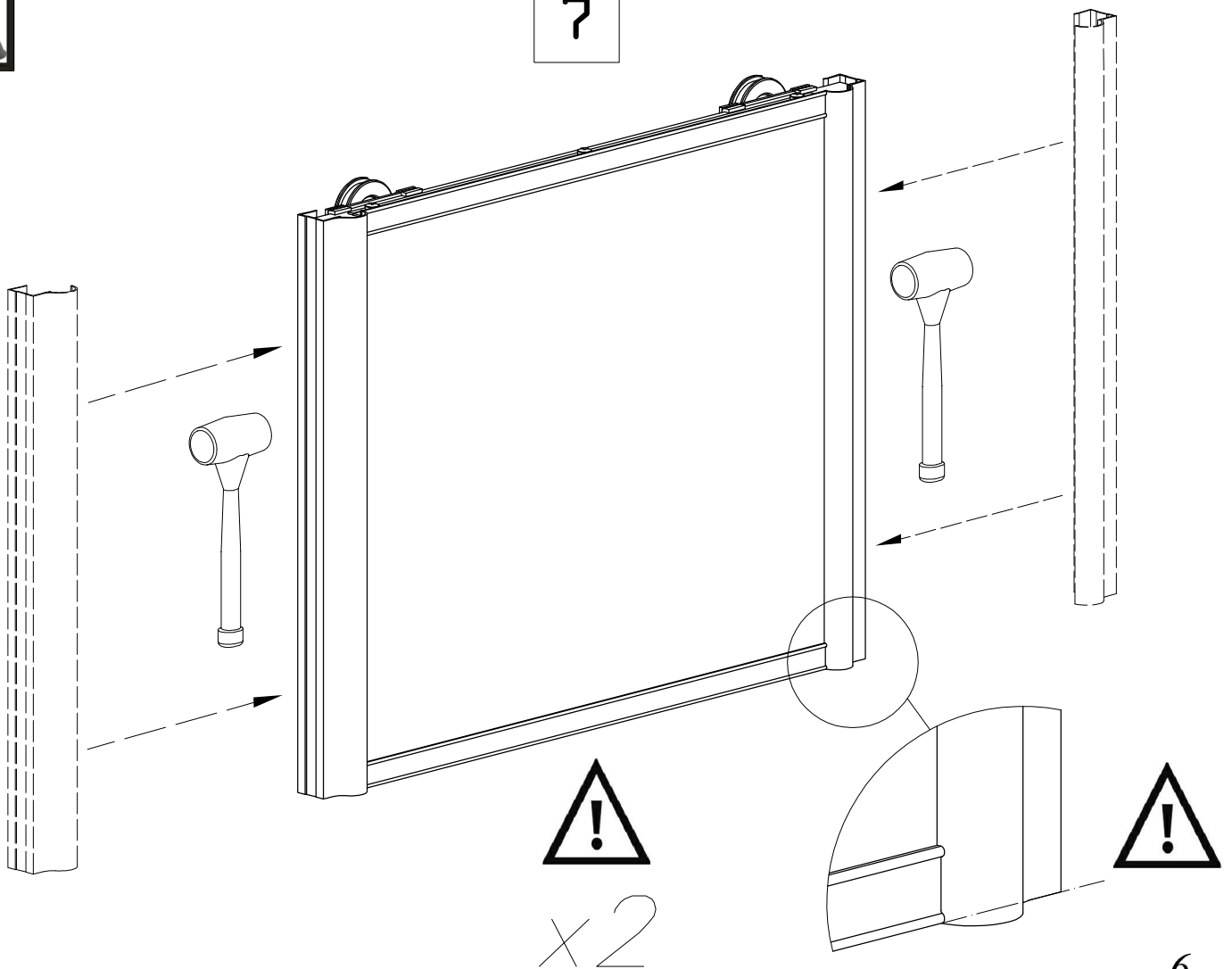


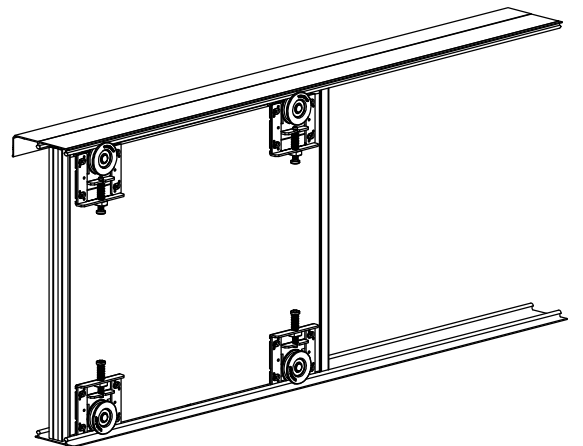
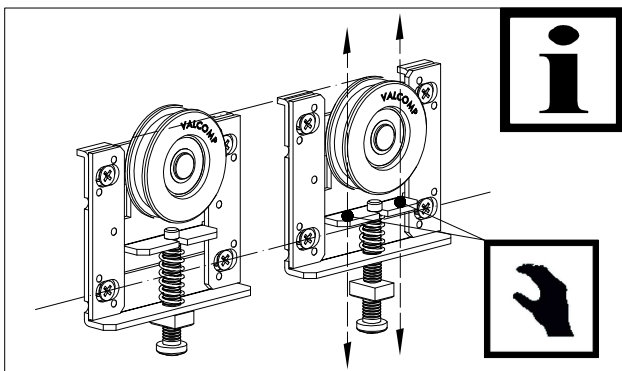
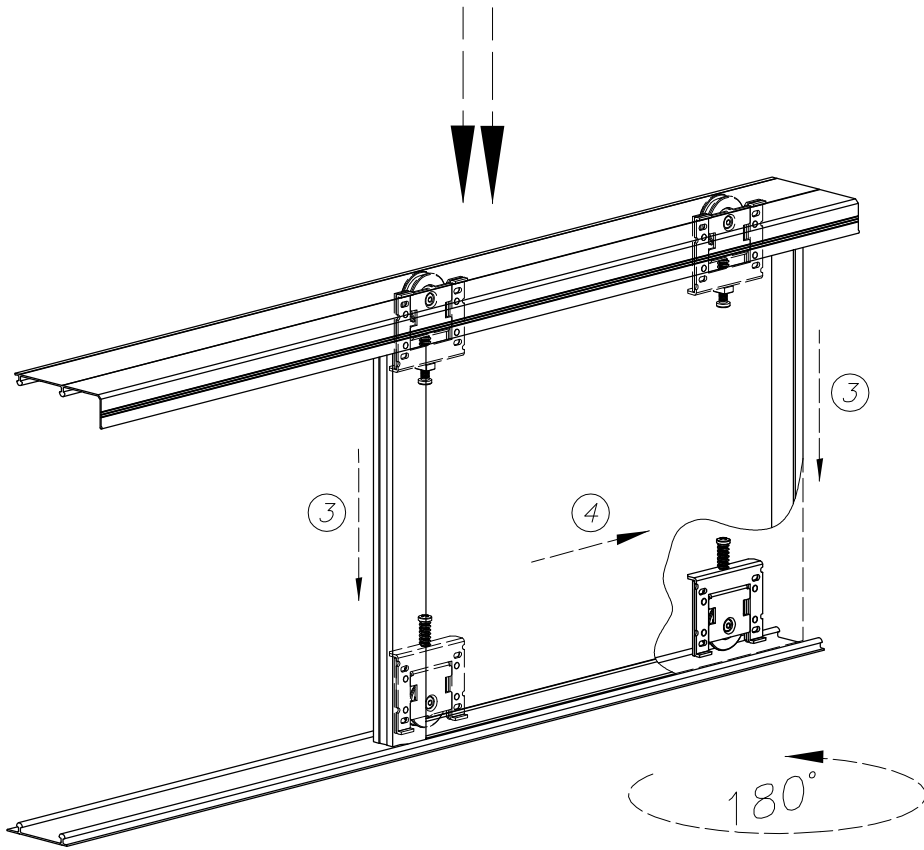
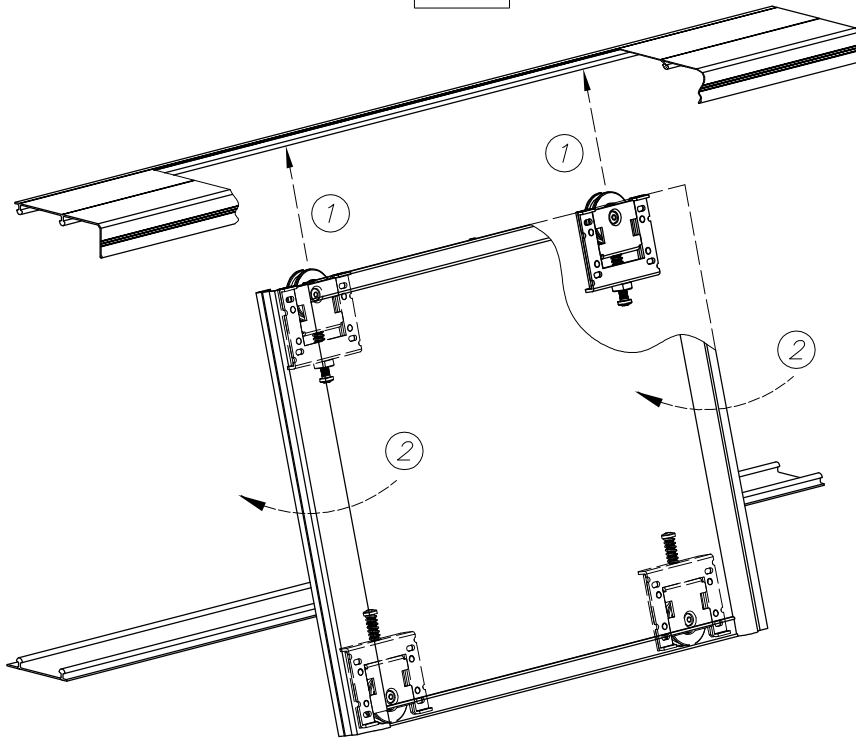


6

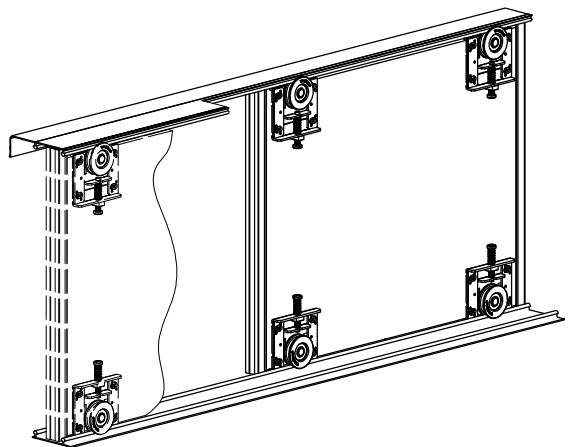
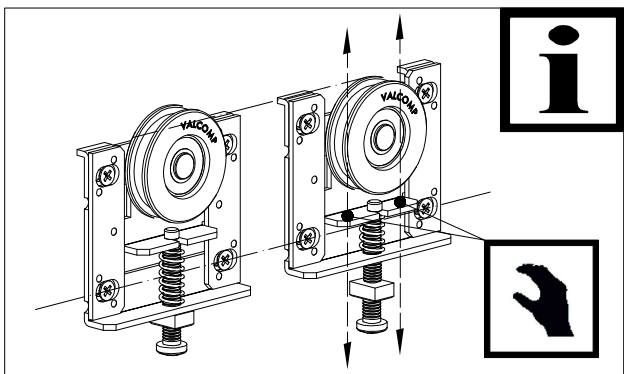
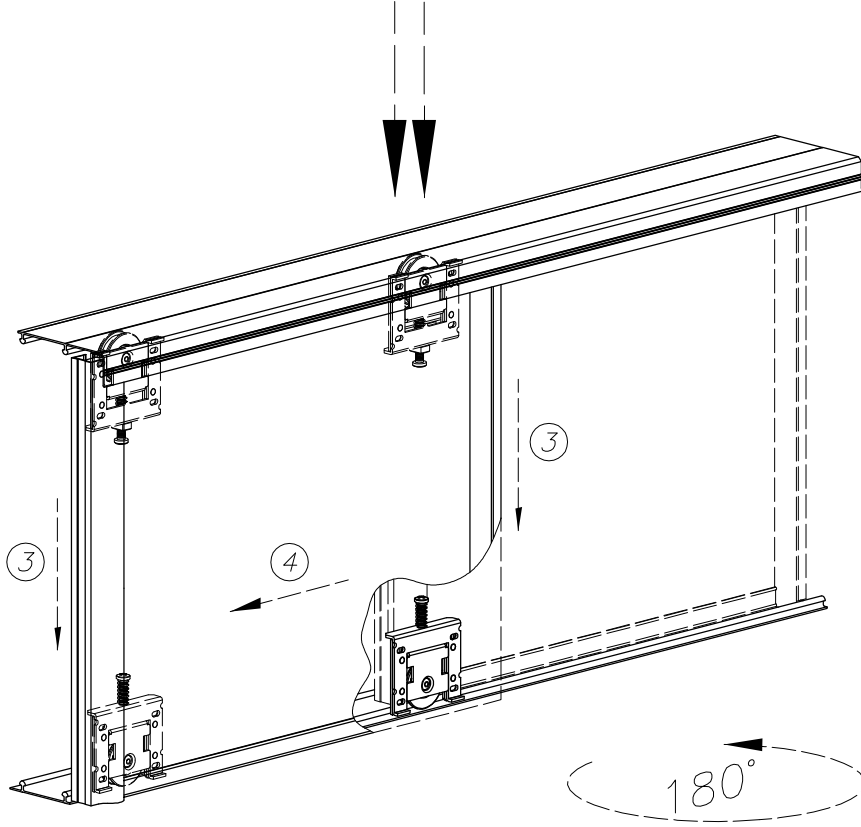
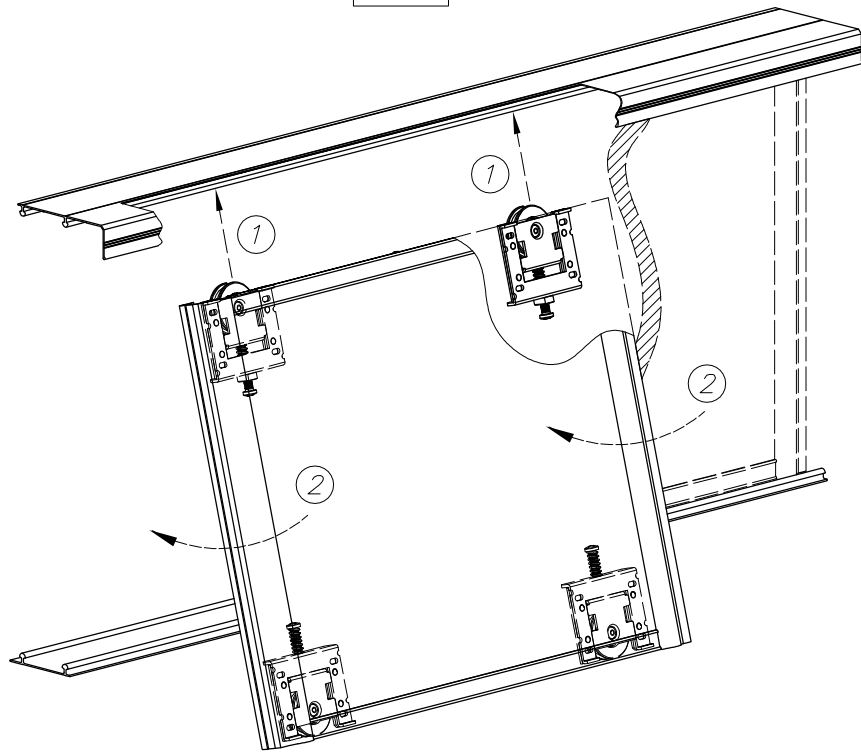


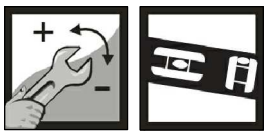
7



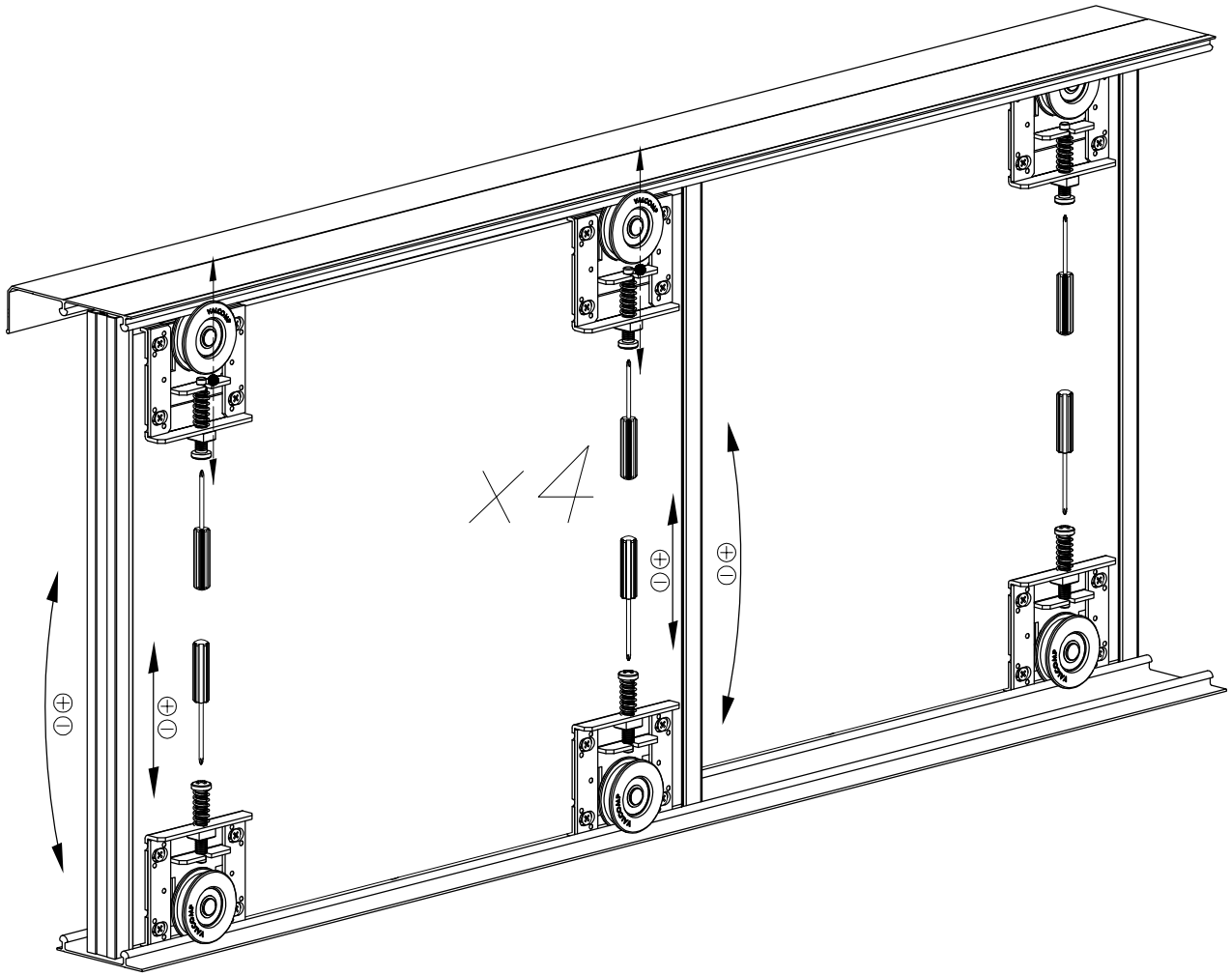


9

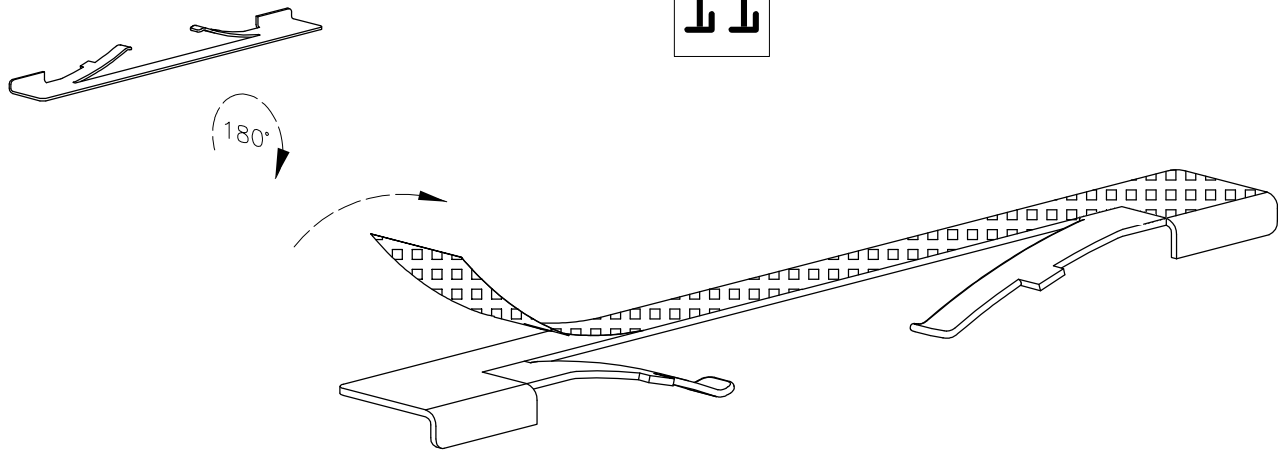




10



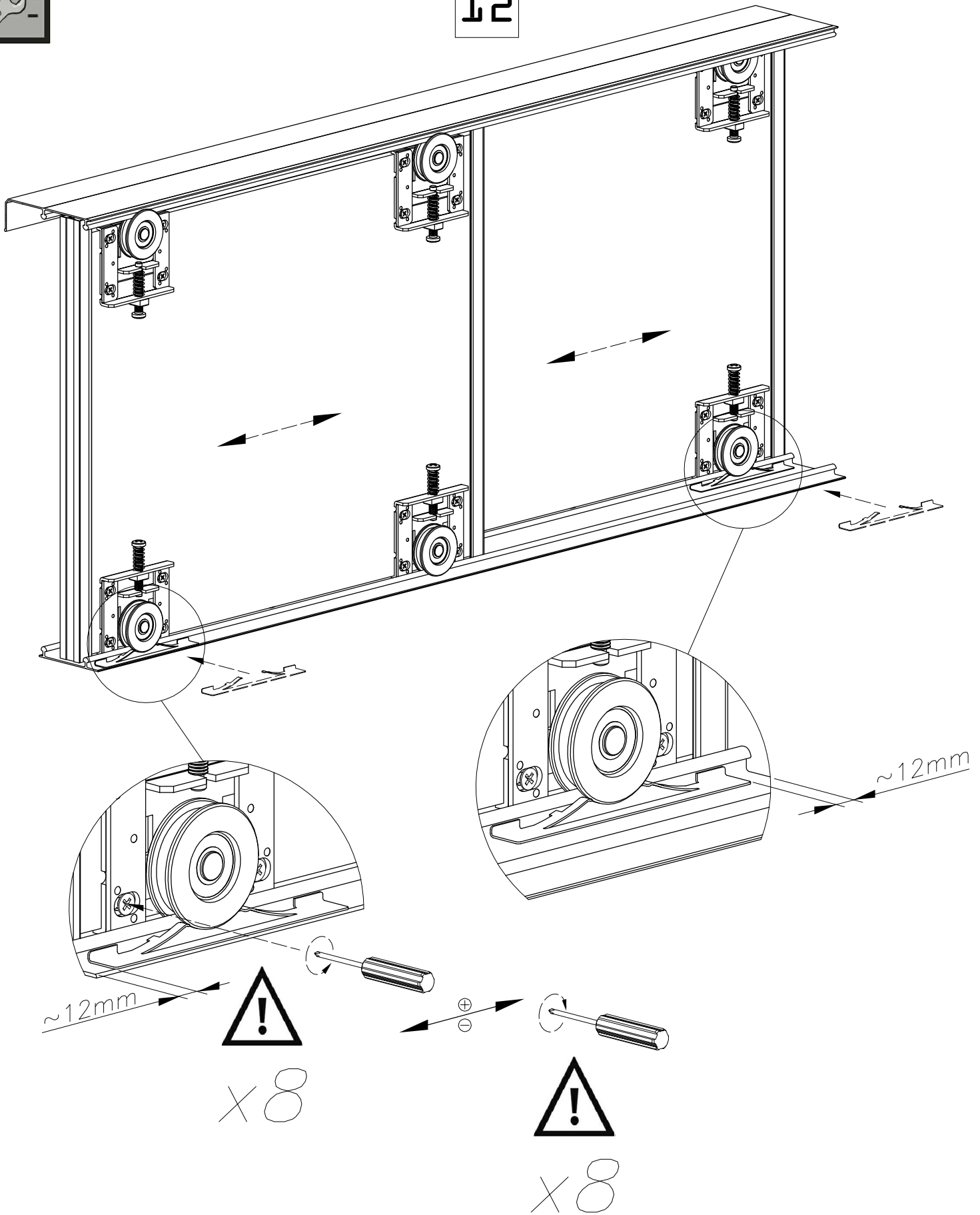
11



x2



12



www.valcomp.pl