

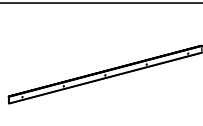


MANTION POLSKA

WWW.MANTION.PL

Thor glass | ROC DESIGN

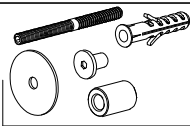
219-235, 219-236, 219-237, 219-238, 219-239
219-328, 219-338, 291-348, 291-358, 219-368



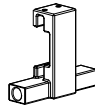
x1



x2



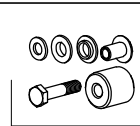
x4/x5/x6



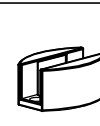
x2



x2



x4



x1



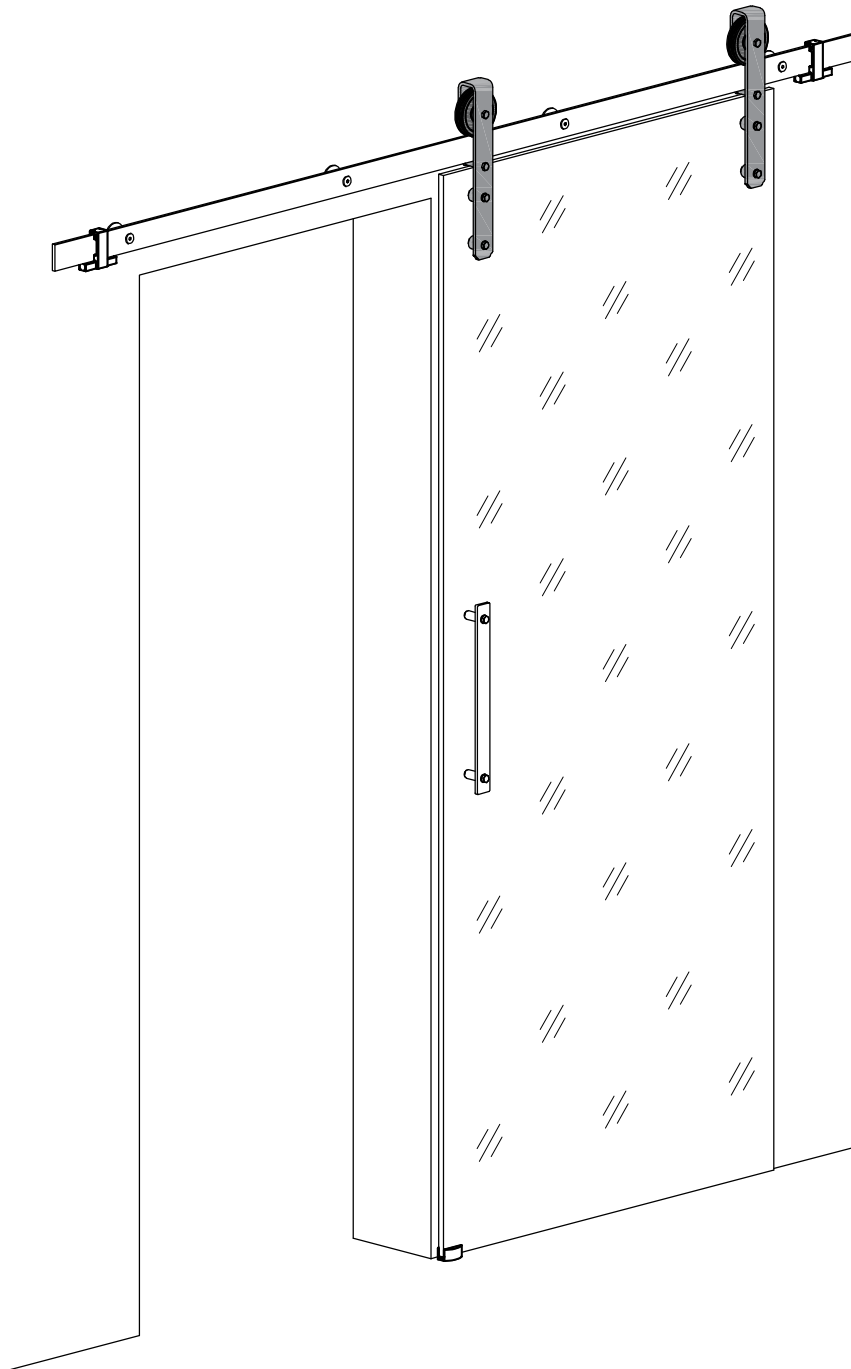
St4x40

Ø6x30

x2

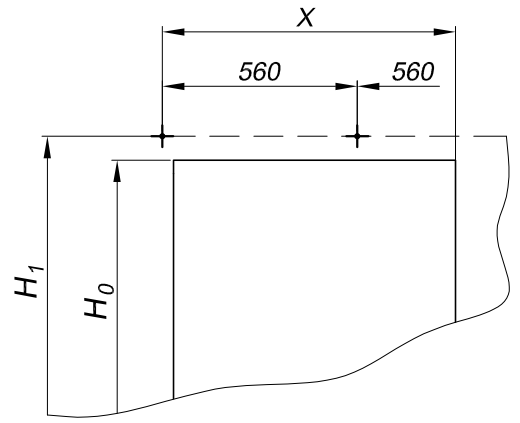
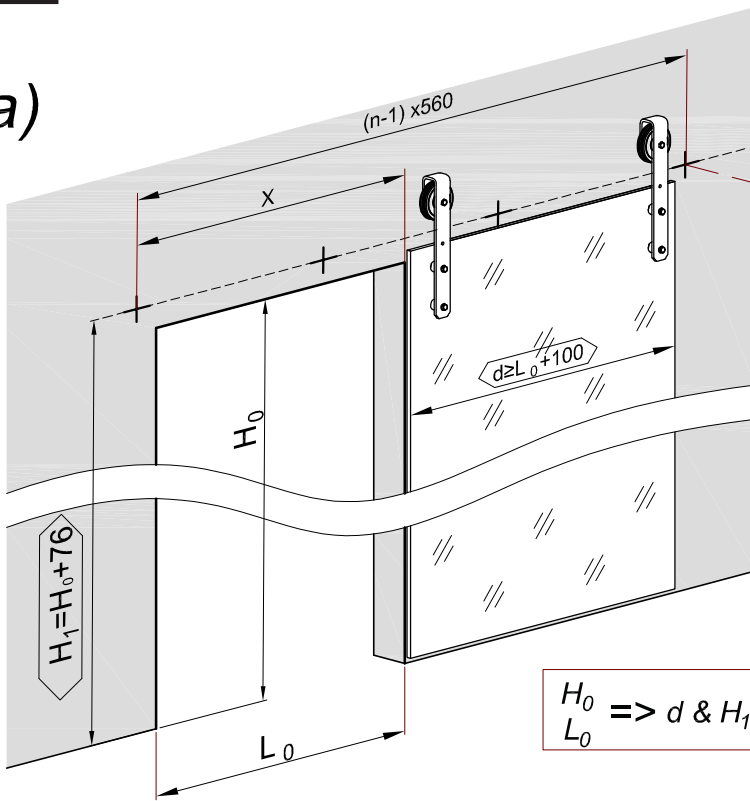


120
KG



1

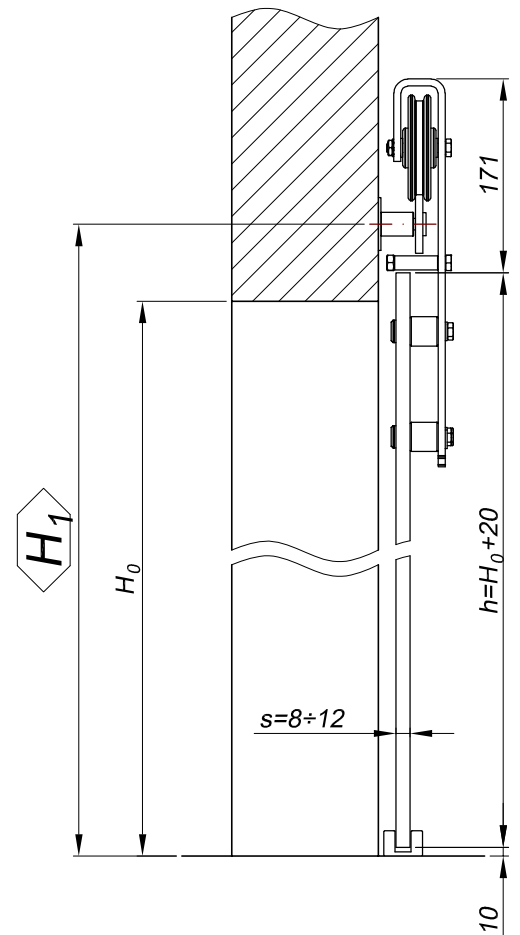
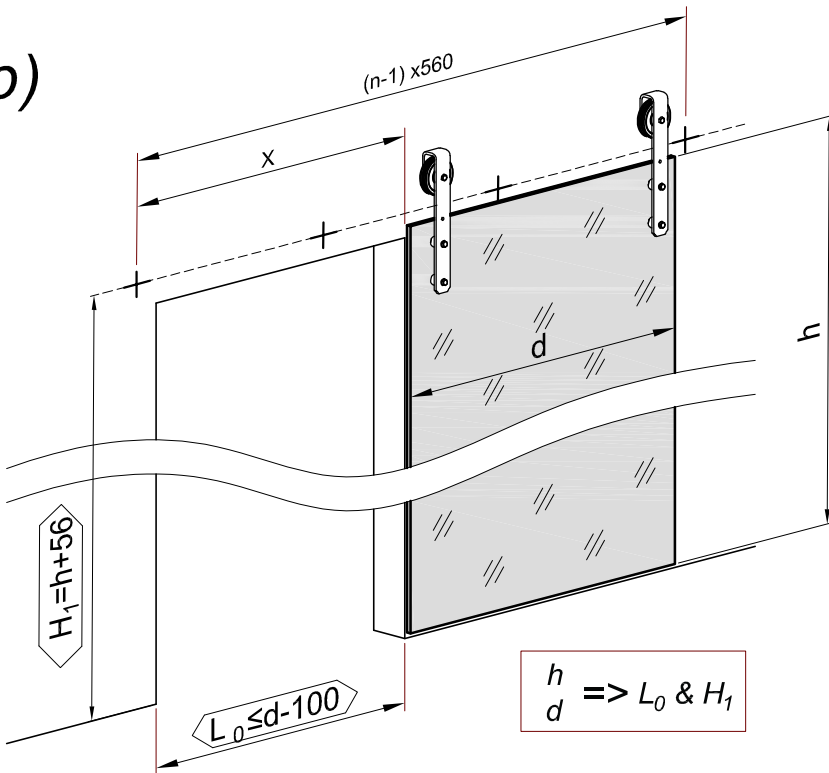
a)



L_{Track} [mm]	1950	2400	3000
X [mm]	840	1120	1400
n	4	5	6

$H_0 \Rightarrow d \ \& \ H_1$
 L_0

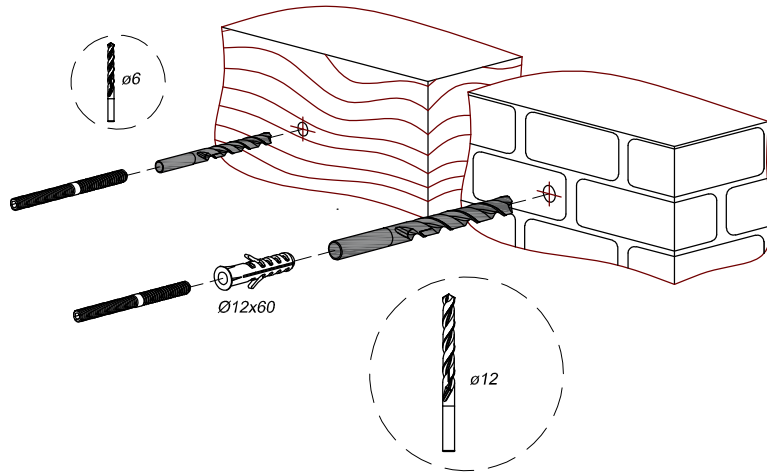
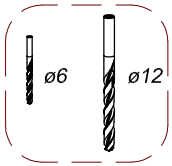
b)



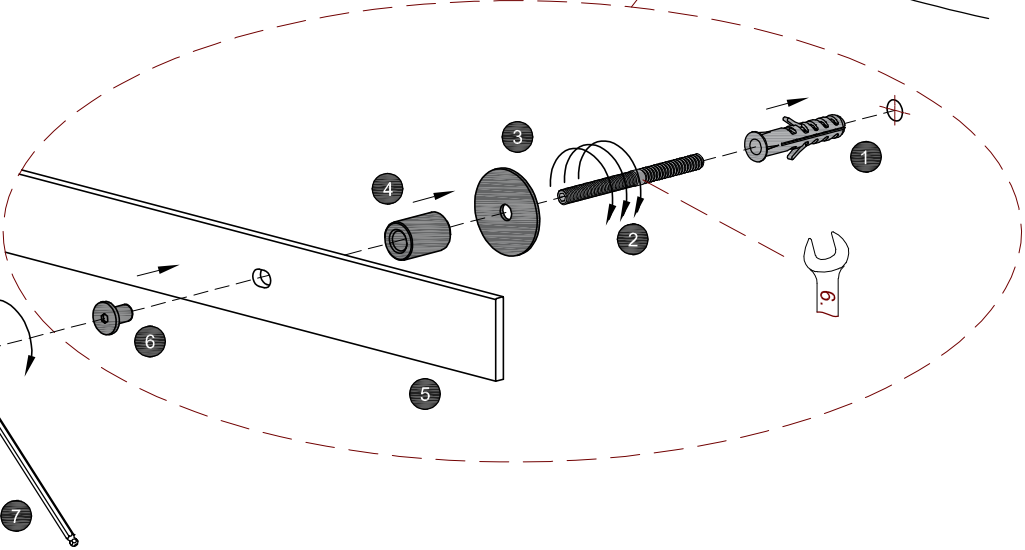
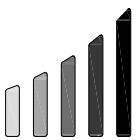
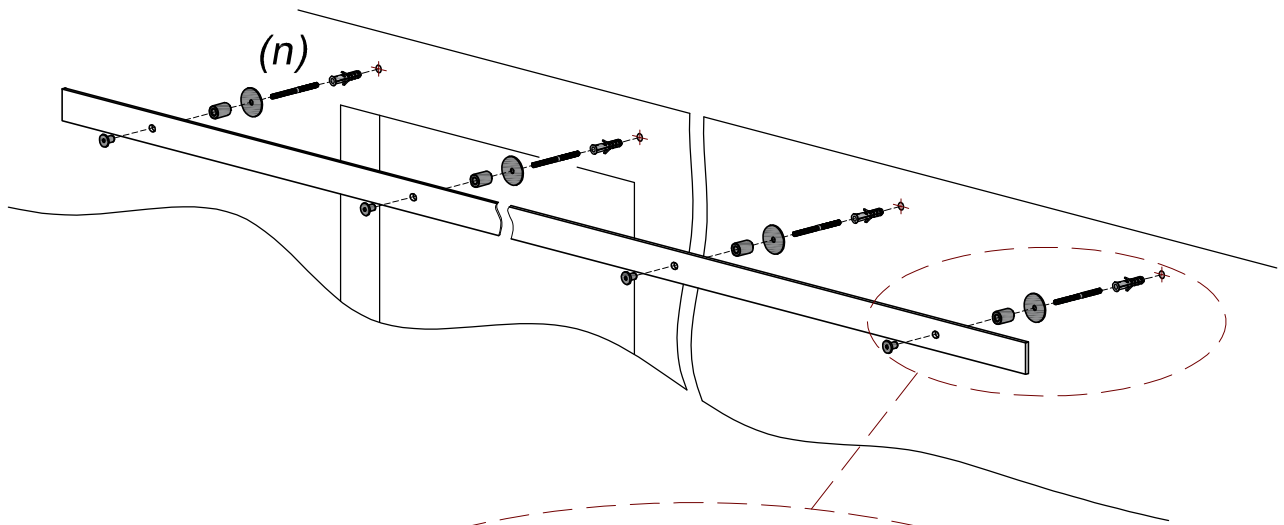
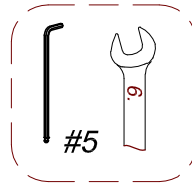
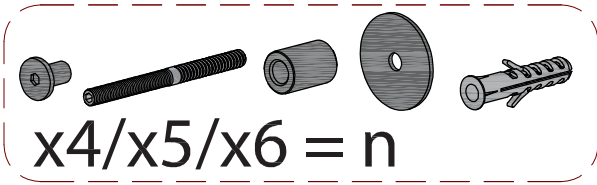
$h \ \& \ H_1 \Rightarrow d$
 L_0



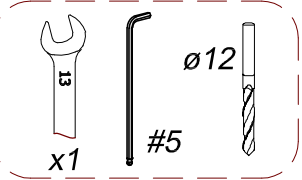
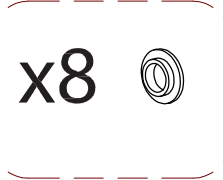
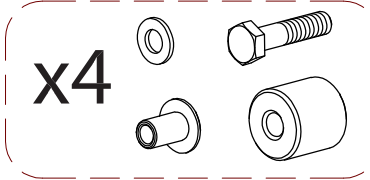
2



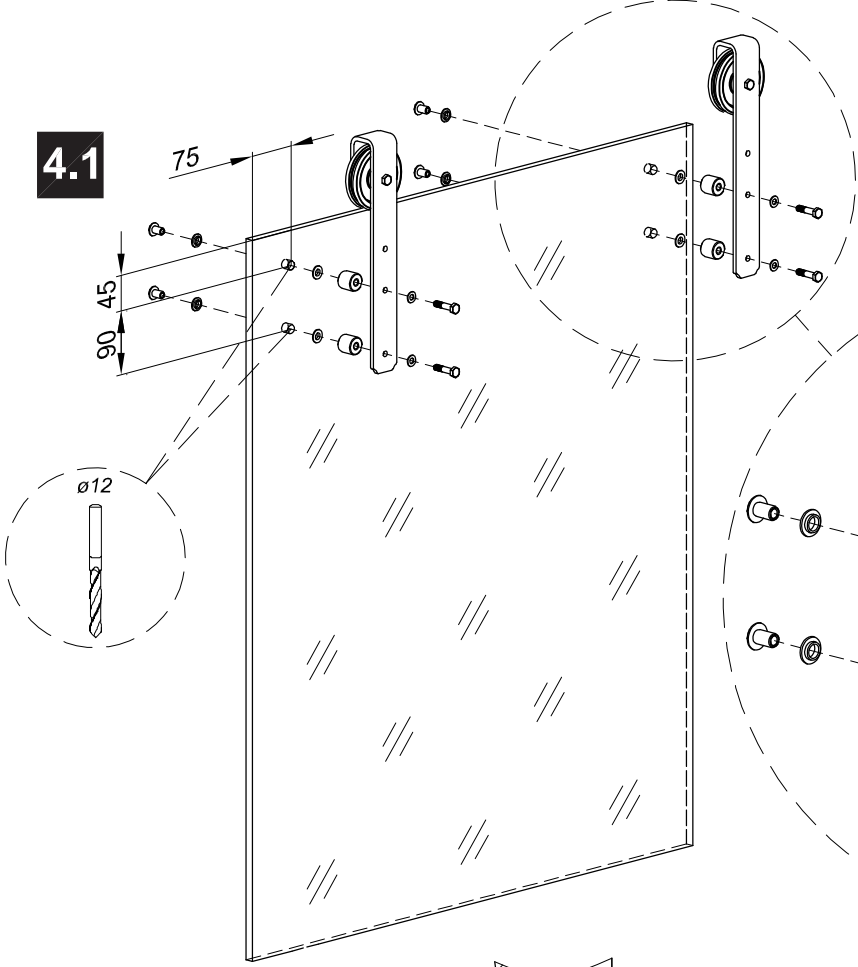
3



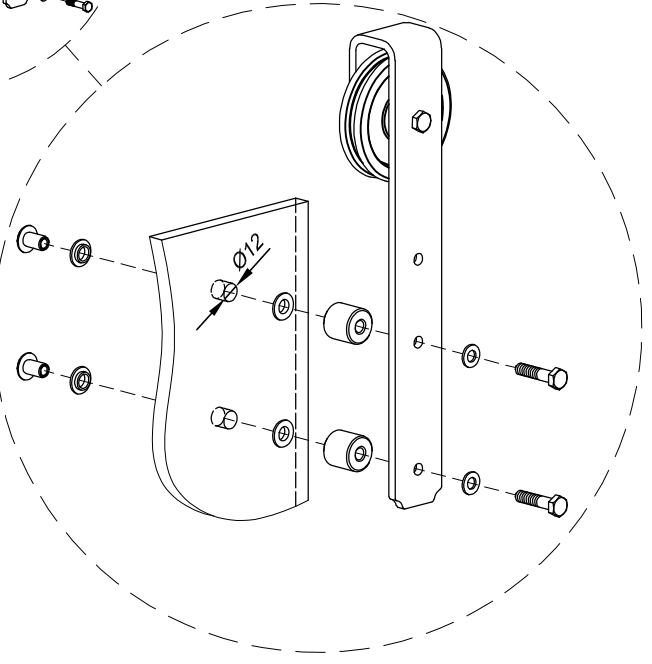
4



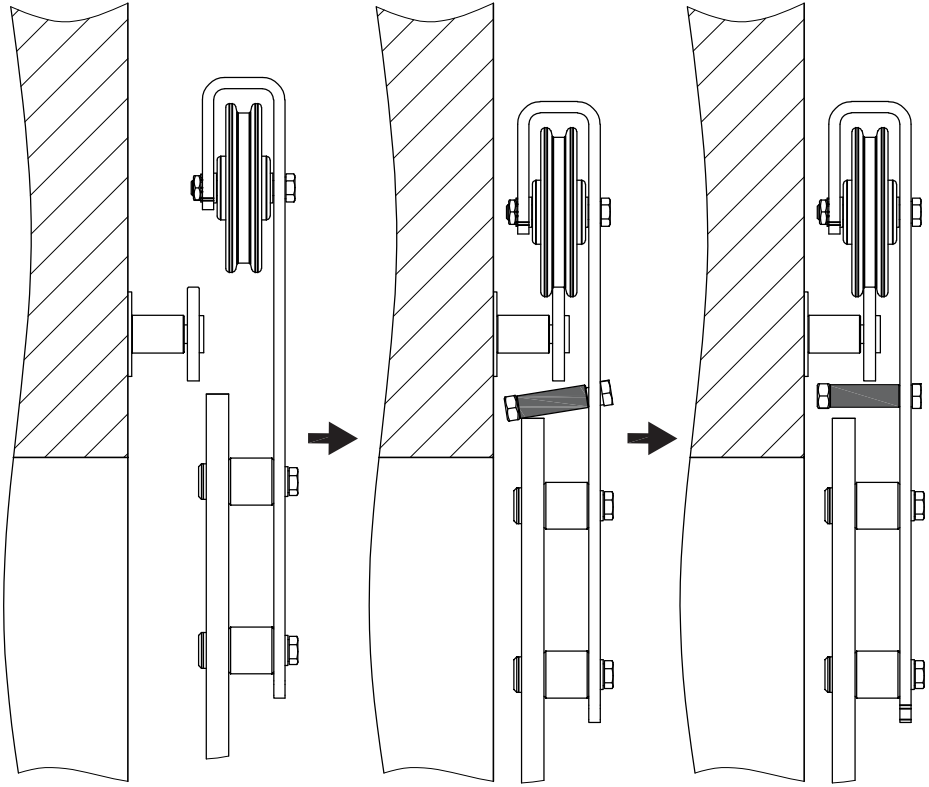
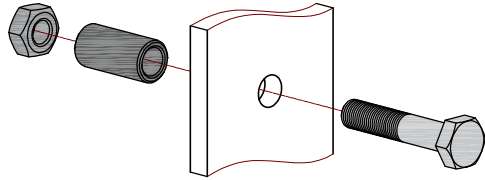
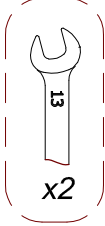
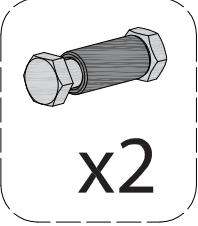
4.1



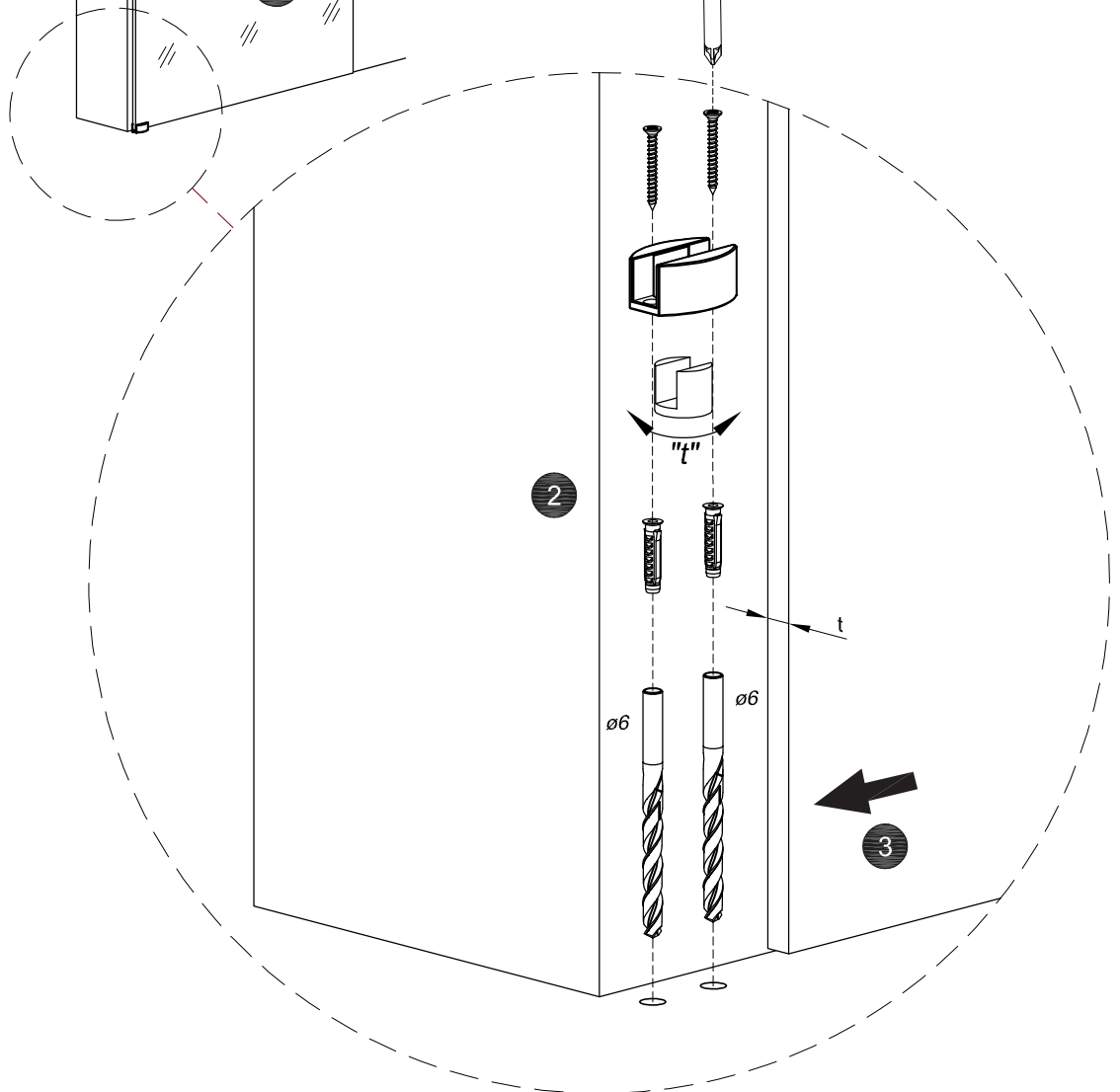
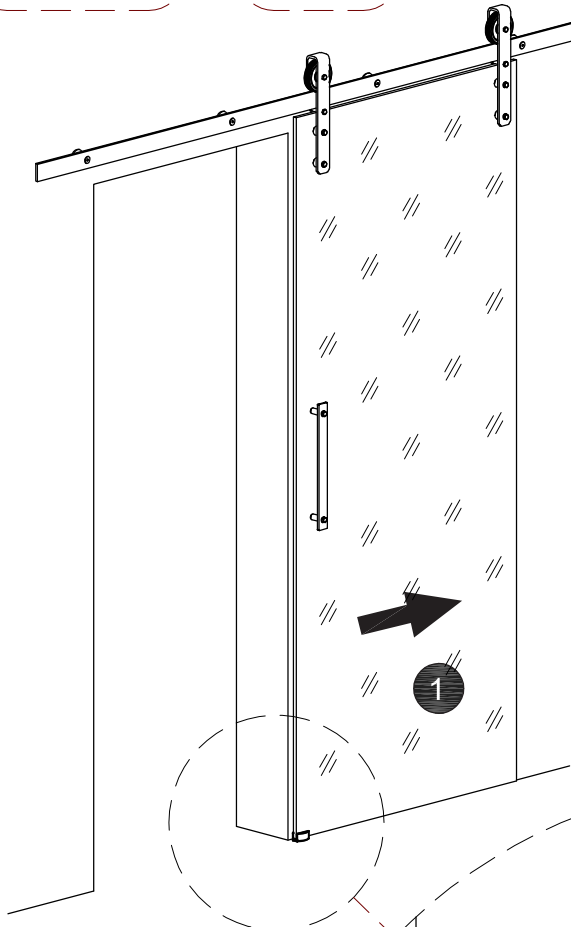
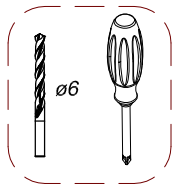
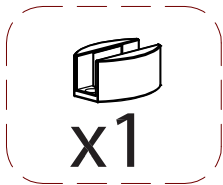
4.2



5

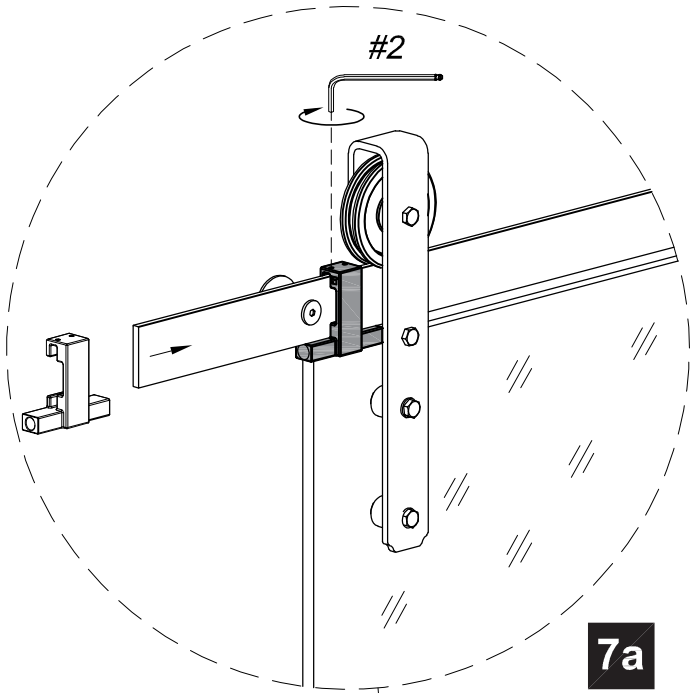
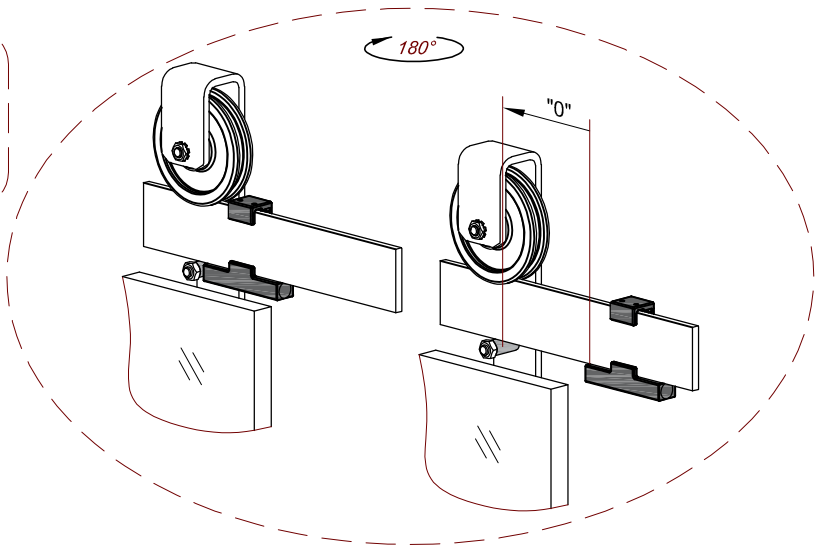
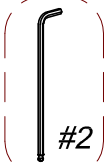
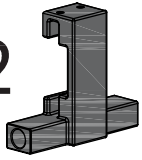


6

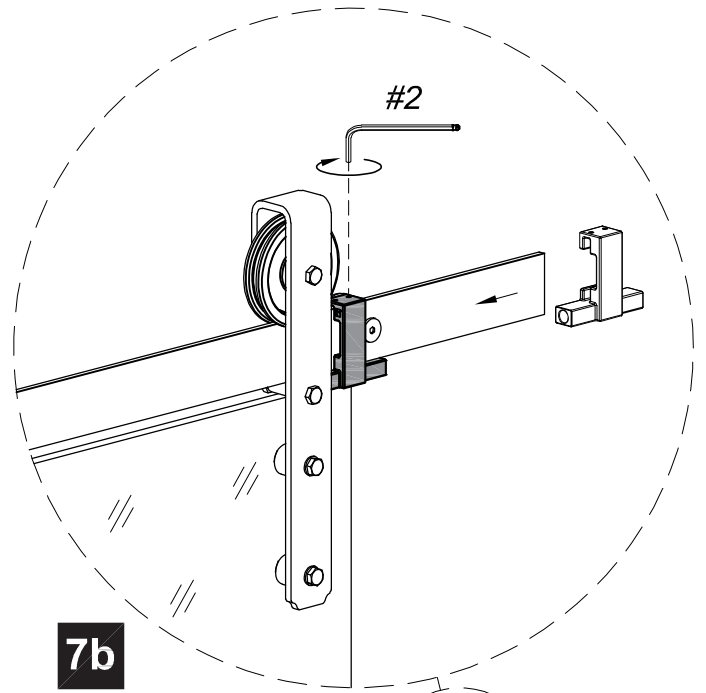


7

x2



7a



7b

