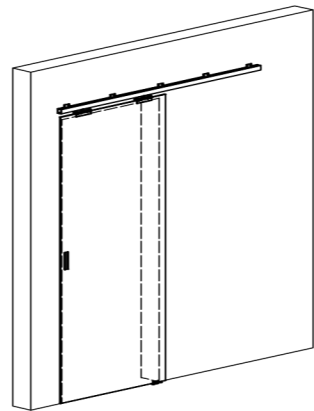
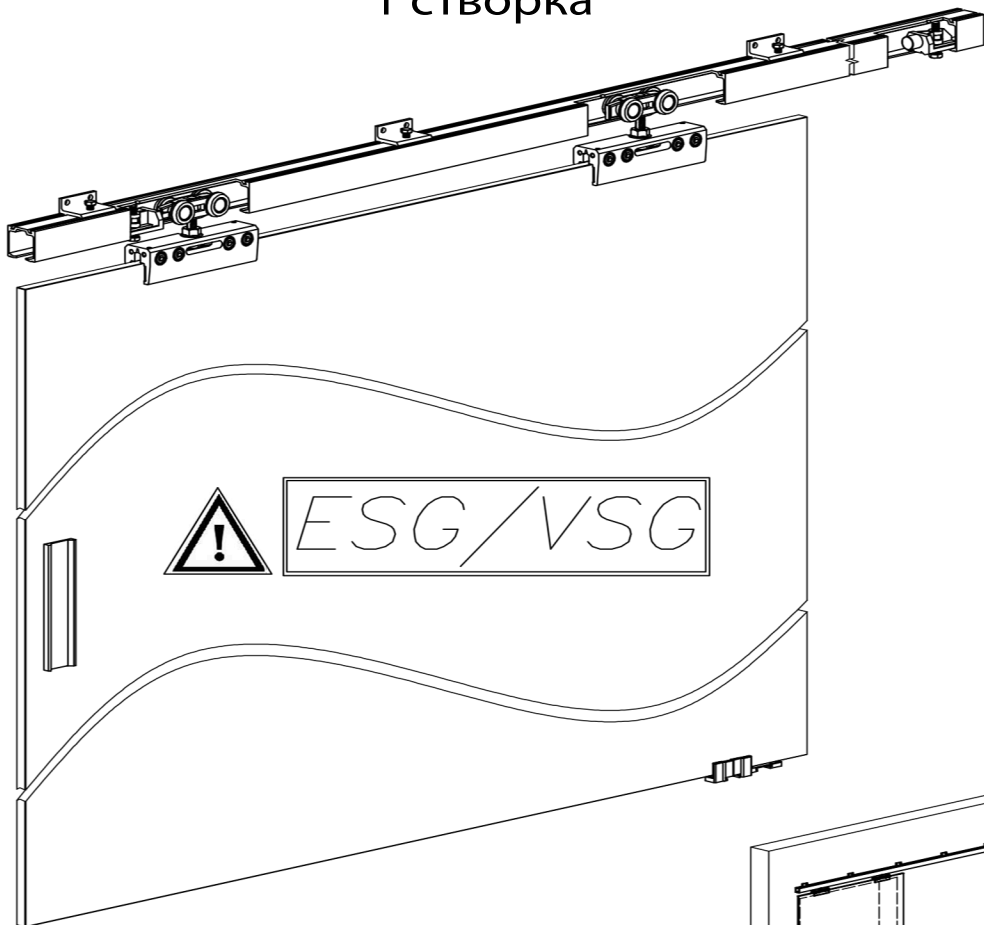




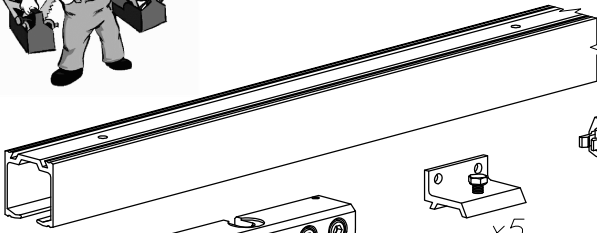
www.valcomp.pl

# ГЕРКУЛЕС ГЛАСС

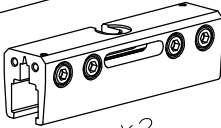
## 1 створка



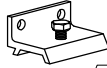
**3D**



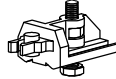
x1



x2



x5



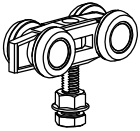
x1



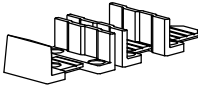
x1



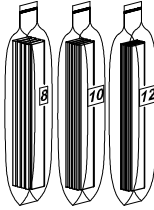
x2



x2



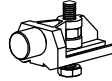
x1



x1

x1

x1



x1



x1



$\varnothing 4 \times 30$   
x10



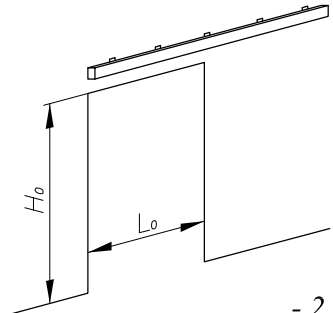
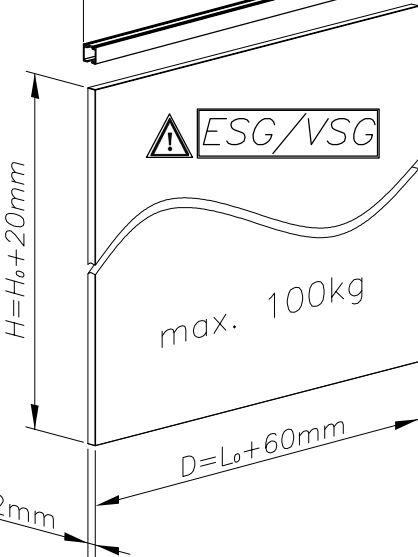
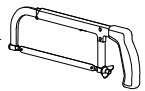
$\varnothing 8 \times 32$   
x10

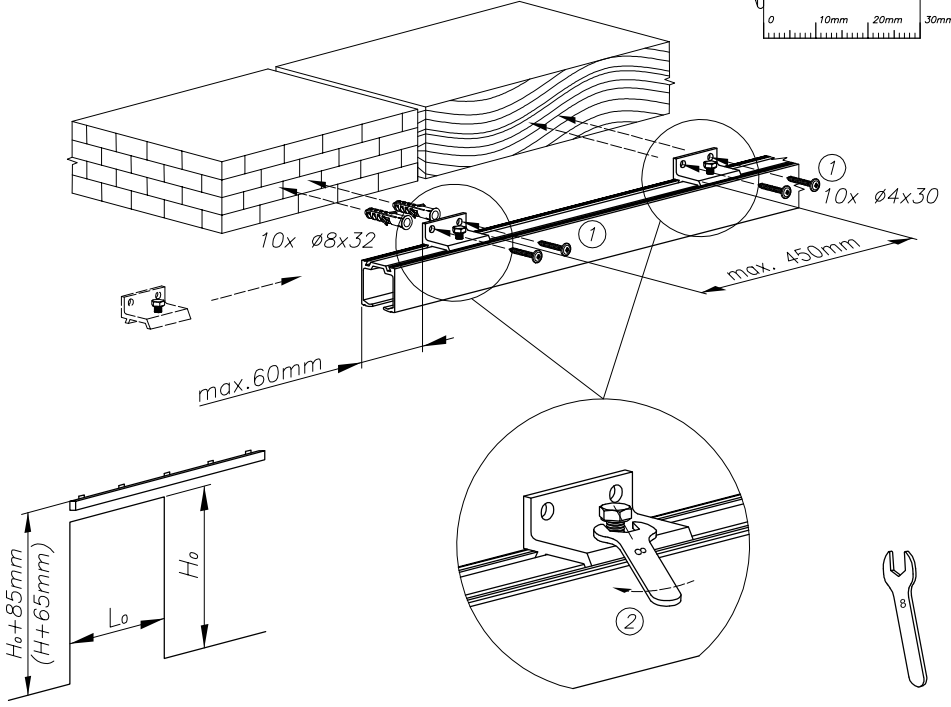
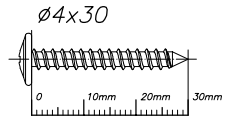


$\varnothing 4 \times 16$   
x7

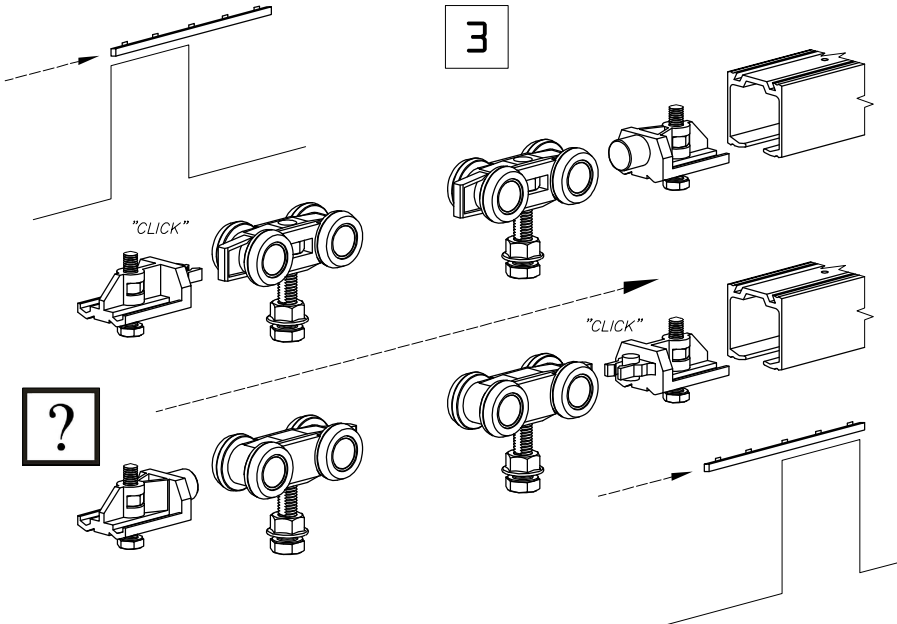


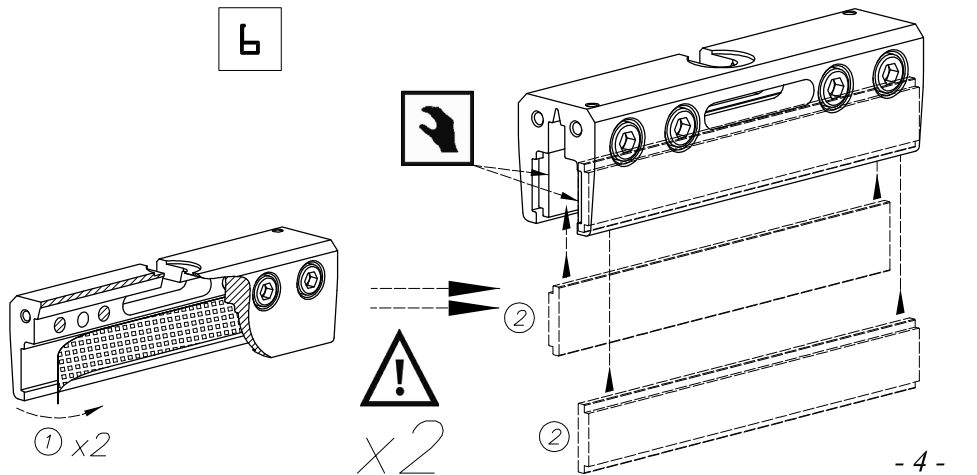
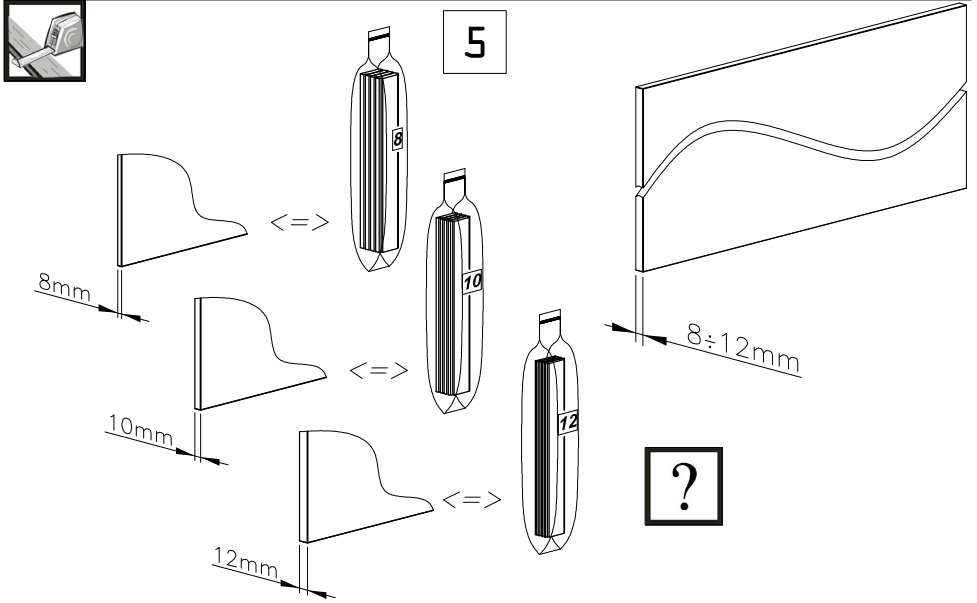
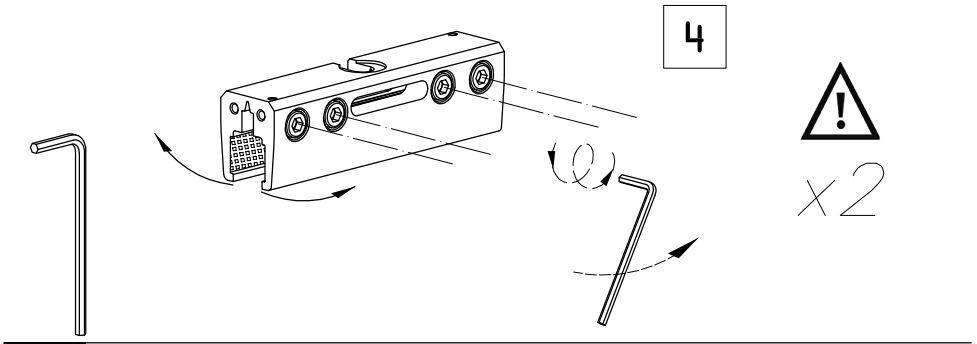
$$L = 2 \times L_0 + 40 \text{ mm}$$

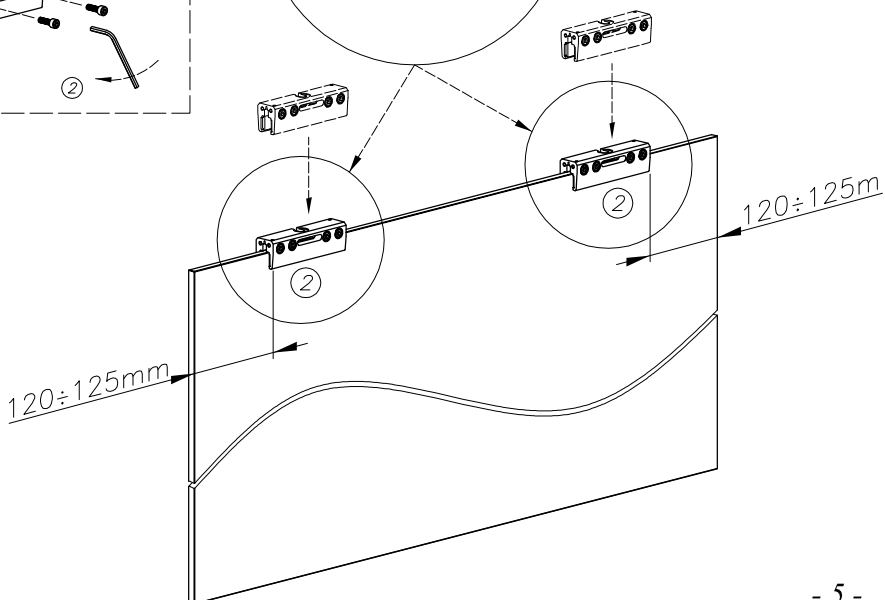
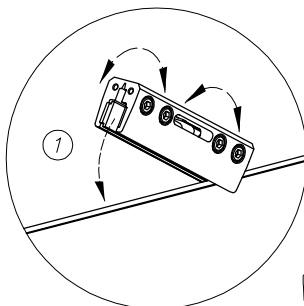
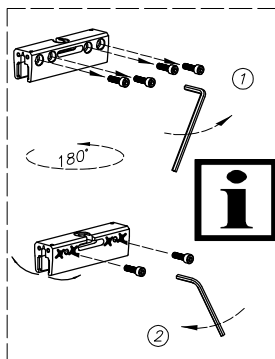
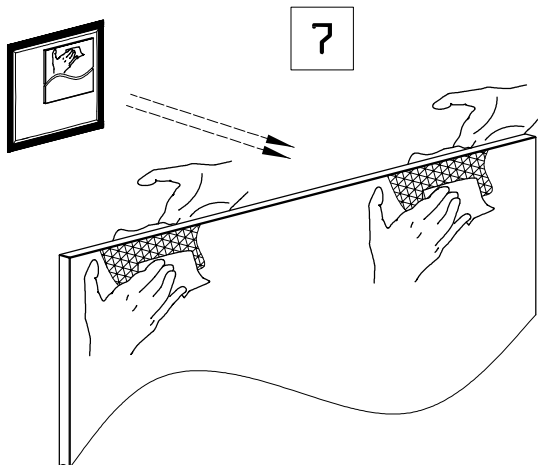




3





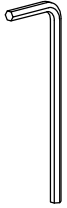




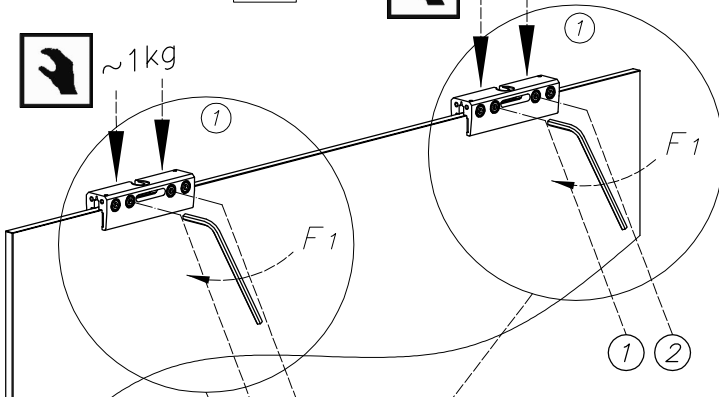
9



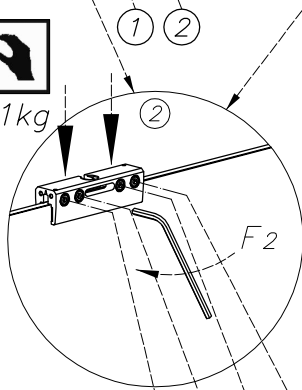
~1kg



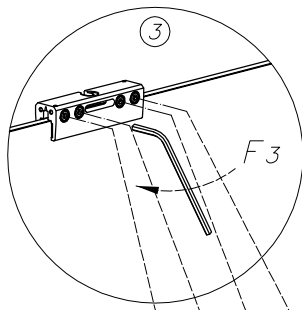
~1kg



~1kg



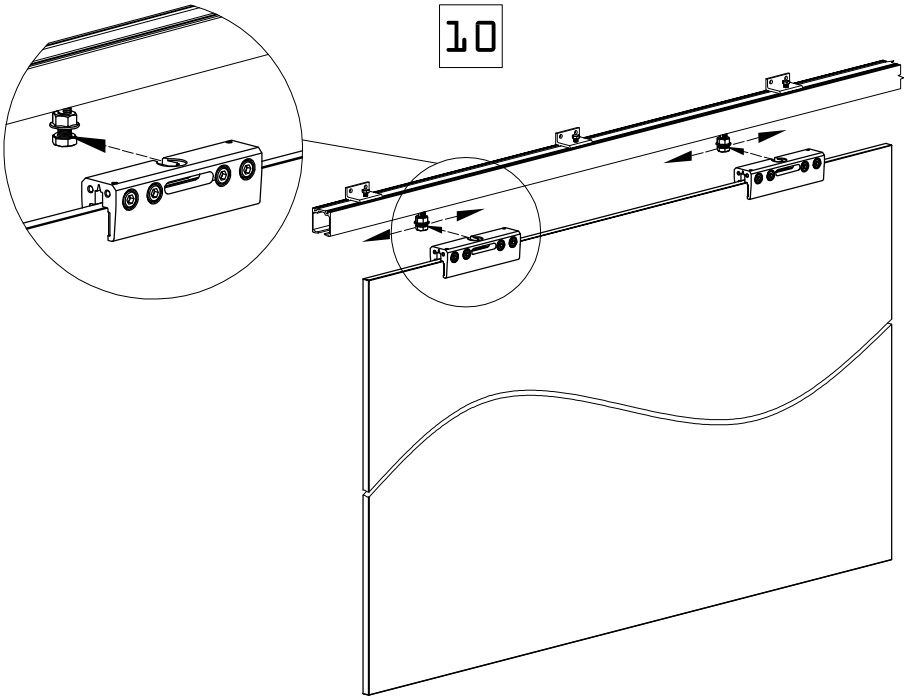
$F_2 > F_1$



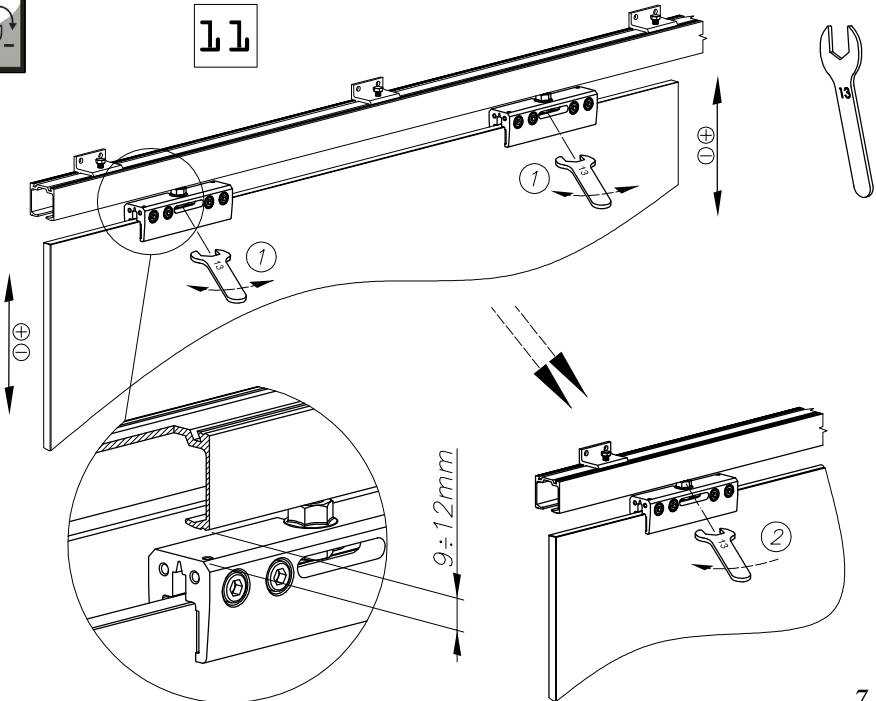
$F_3 = 26Nm$

3 1 2 4





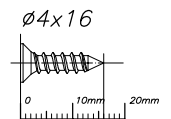
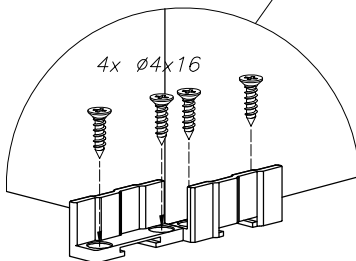
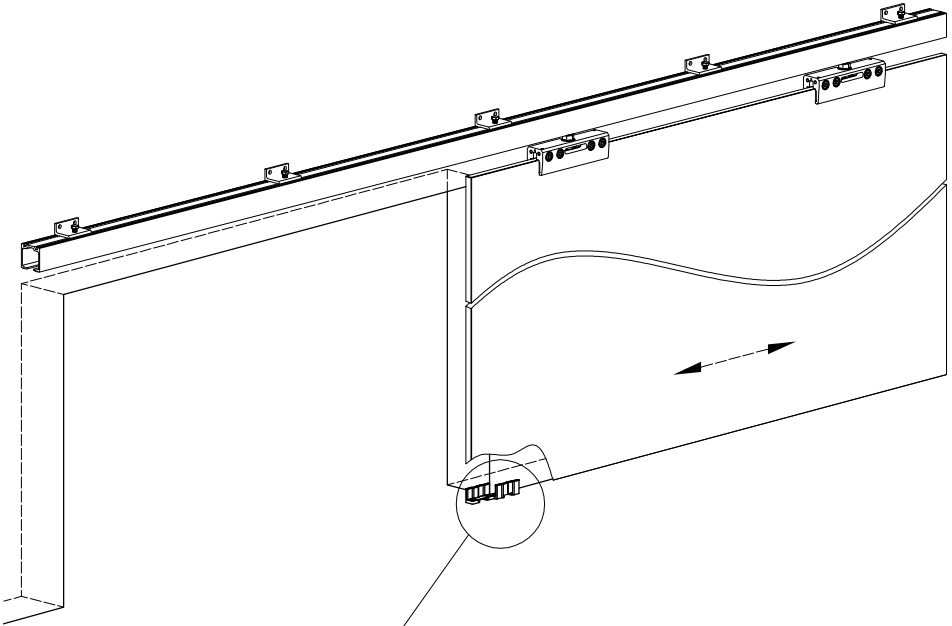
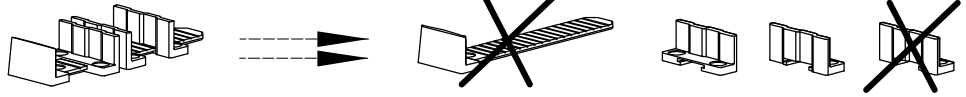
11



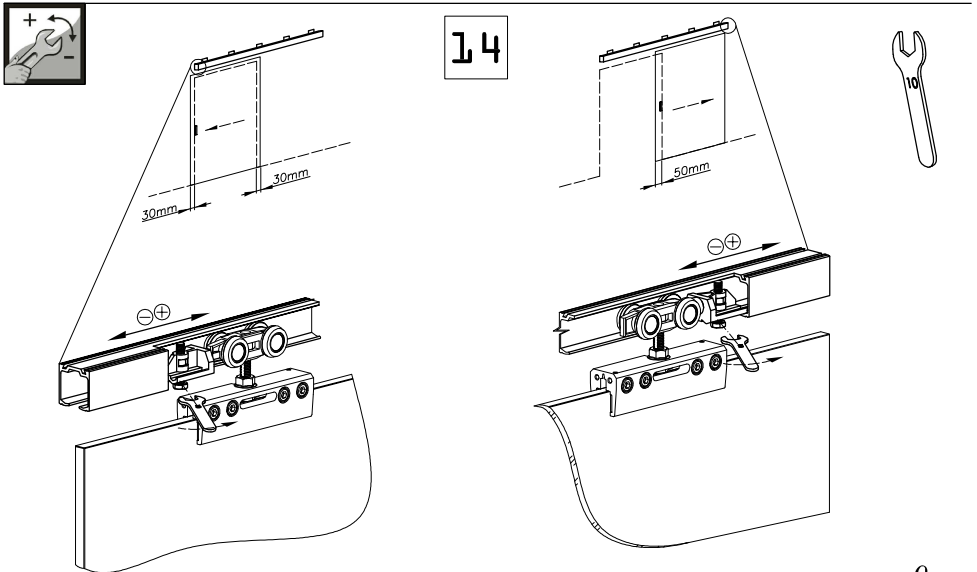
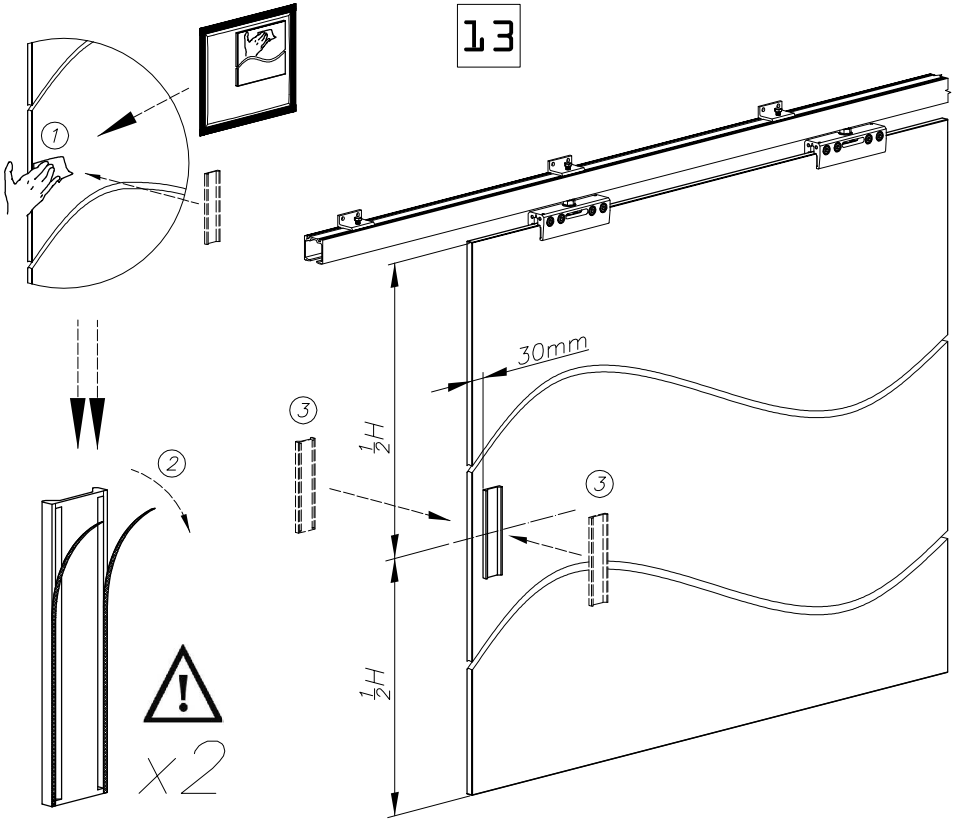


12

OK OK









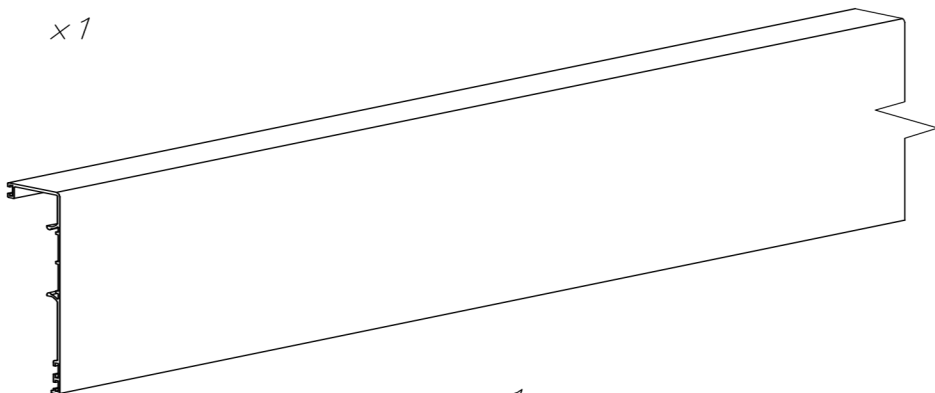
4,8x10mm  
x1



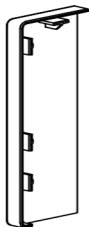
4,8x13mm  
x1



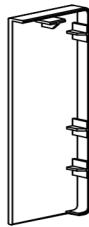
6,9x4mm  
x1



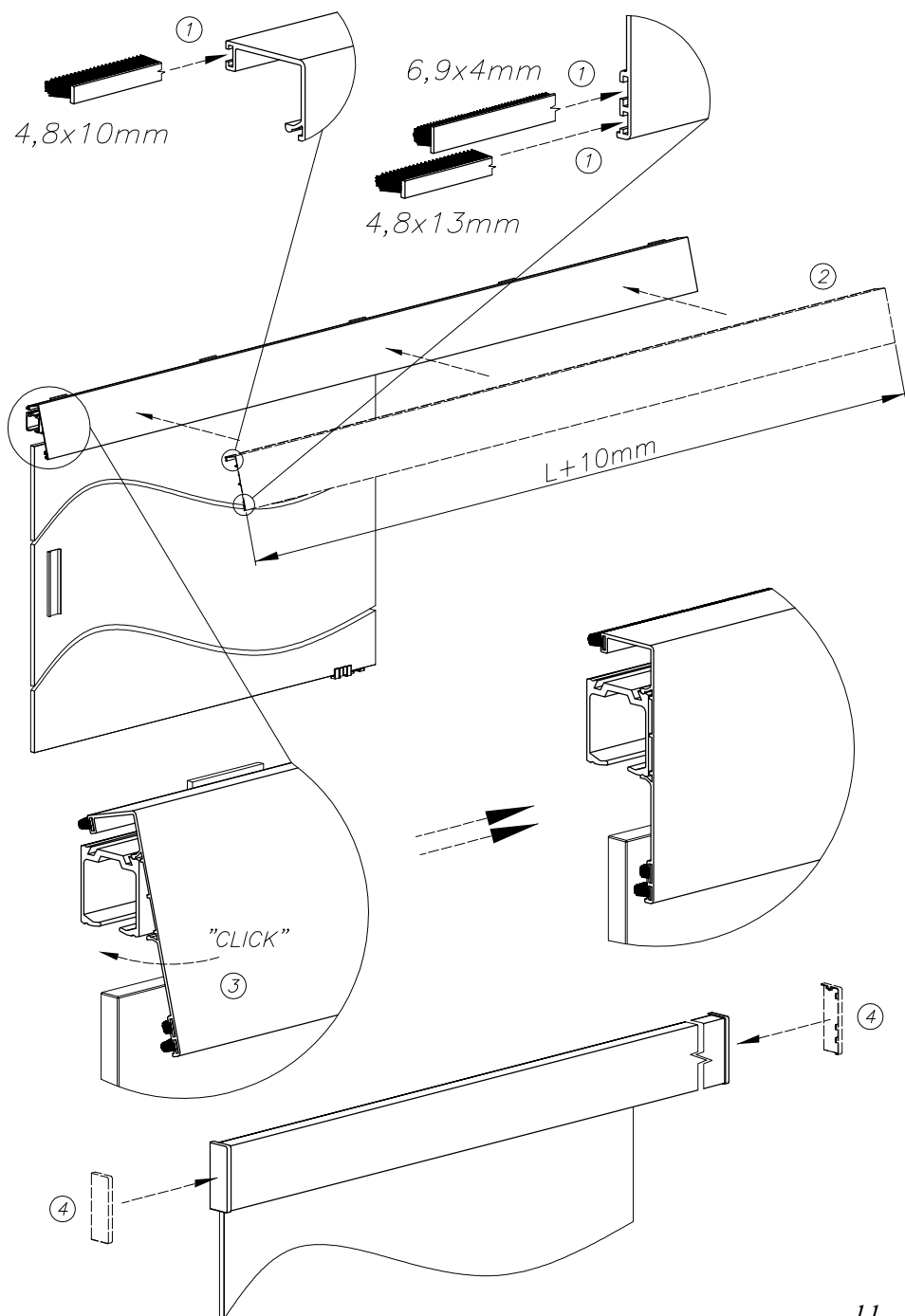
x1

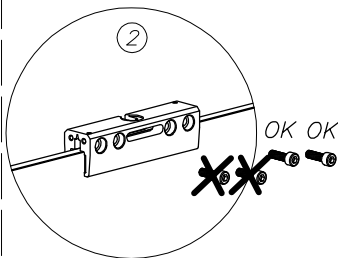
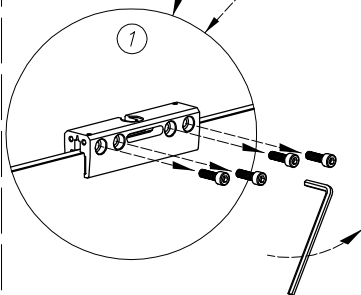
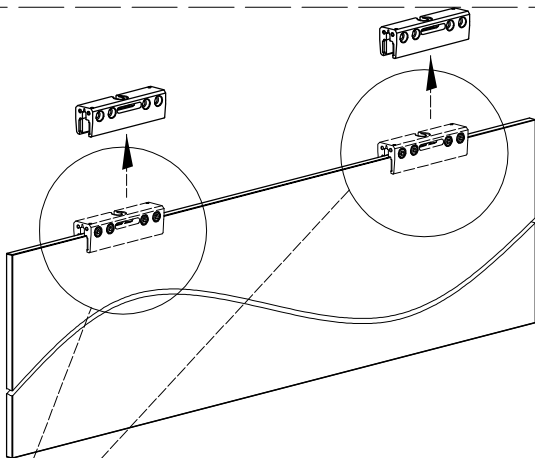


x1

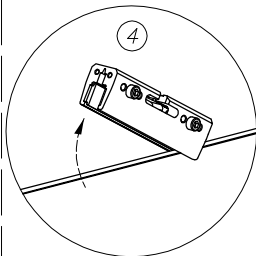
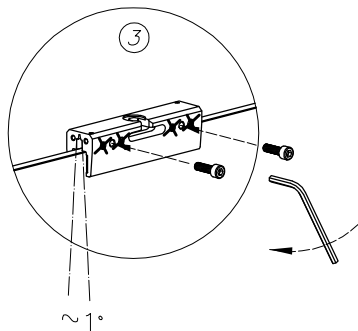


x1





180°



www.valcomp.pl

2012-07/1-PL