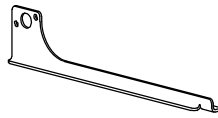
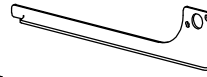


x1



x1



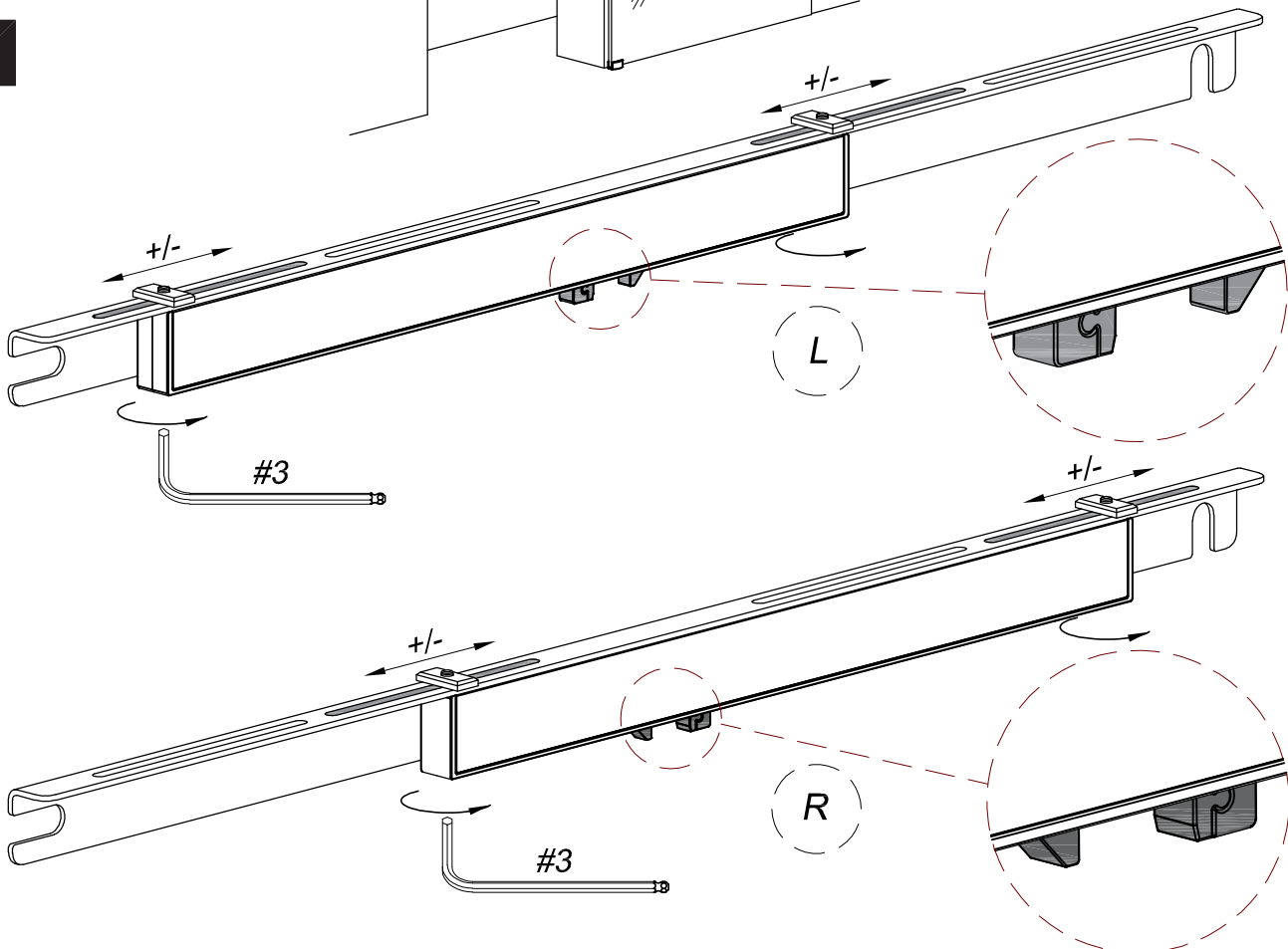
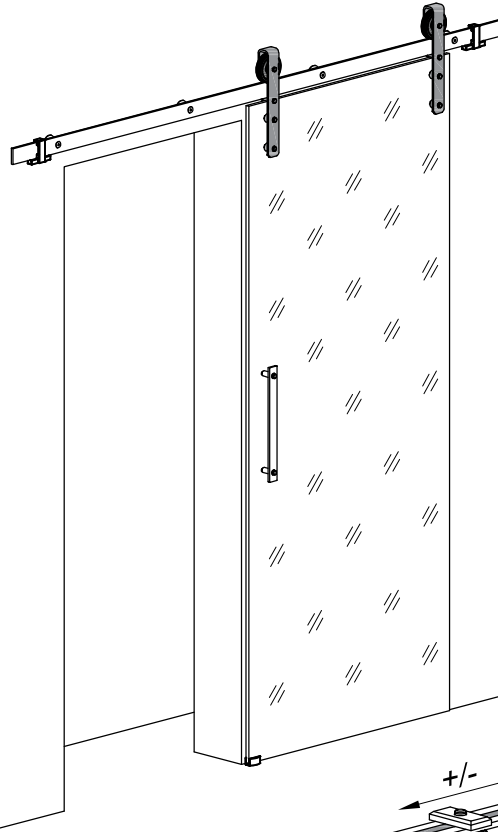
x1



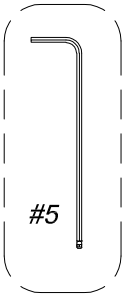
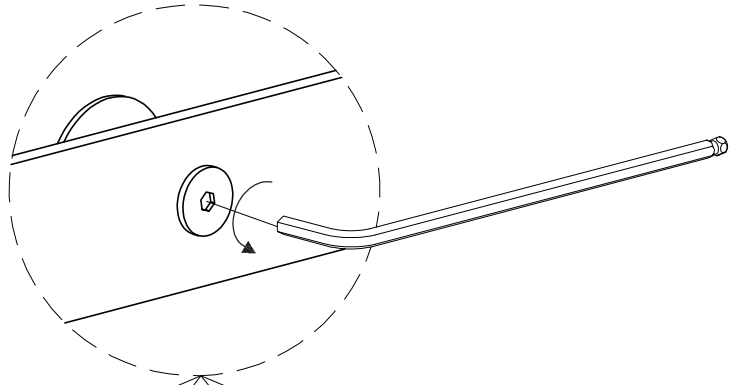
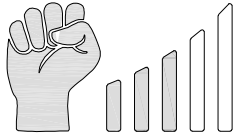
x4



1

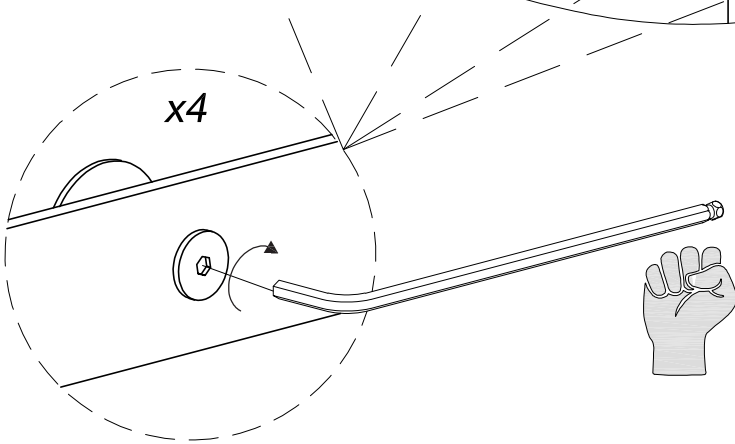
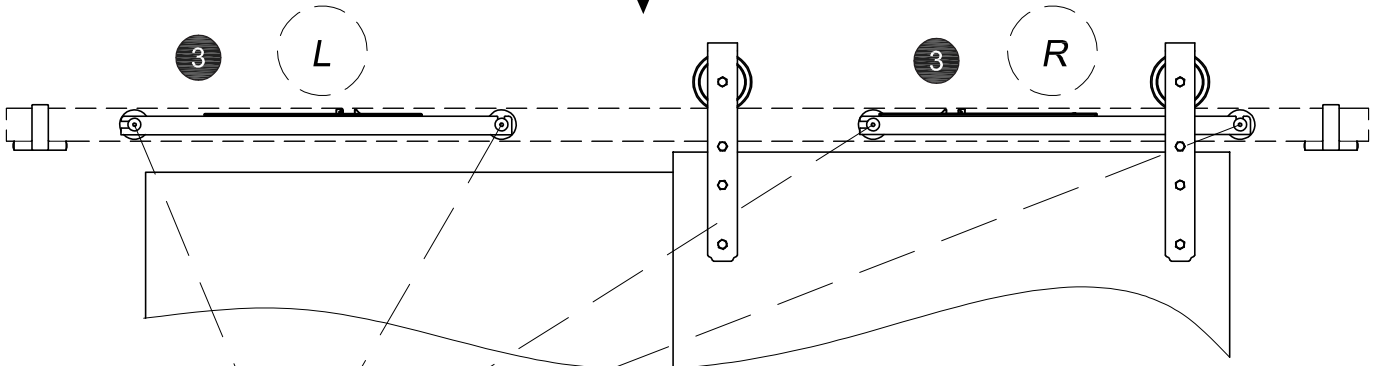
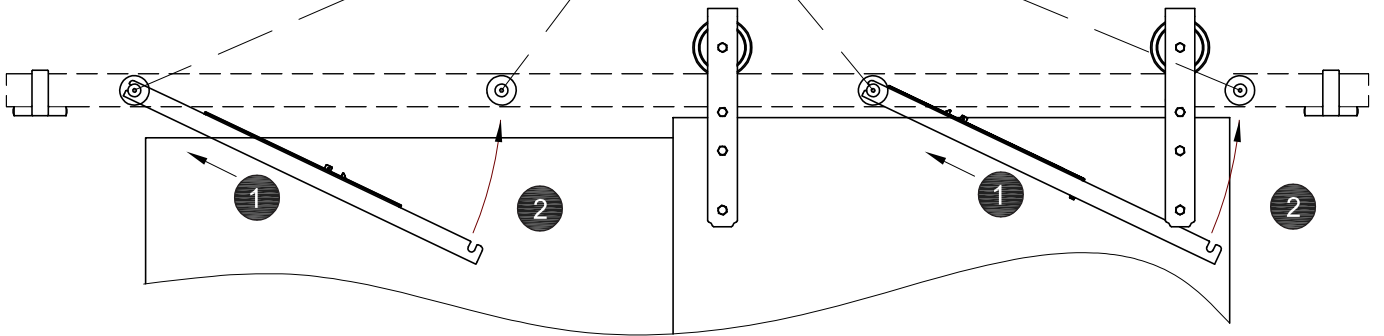


2

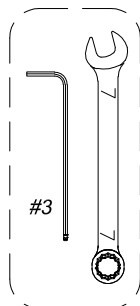
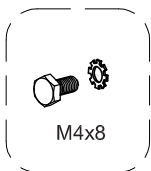


L

R

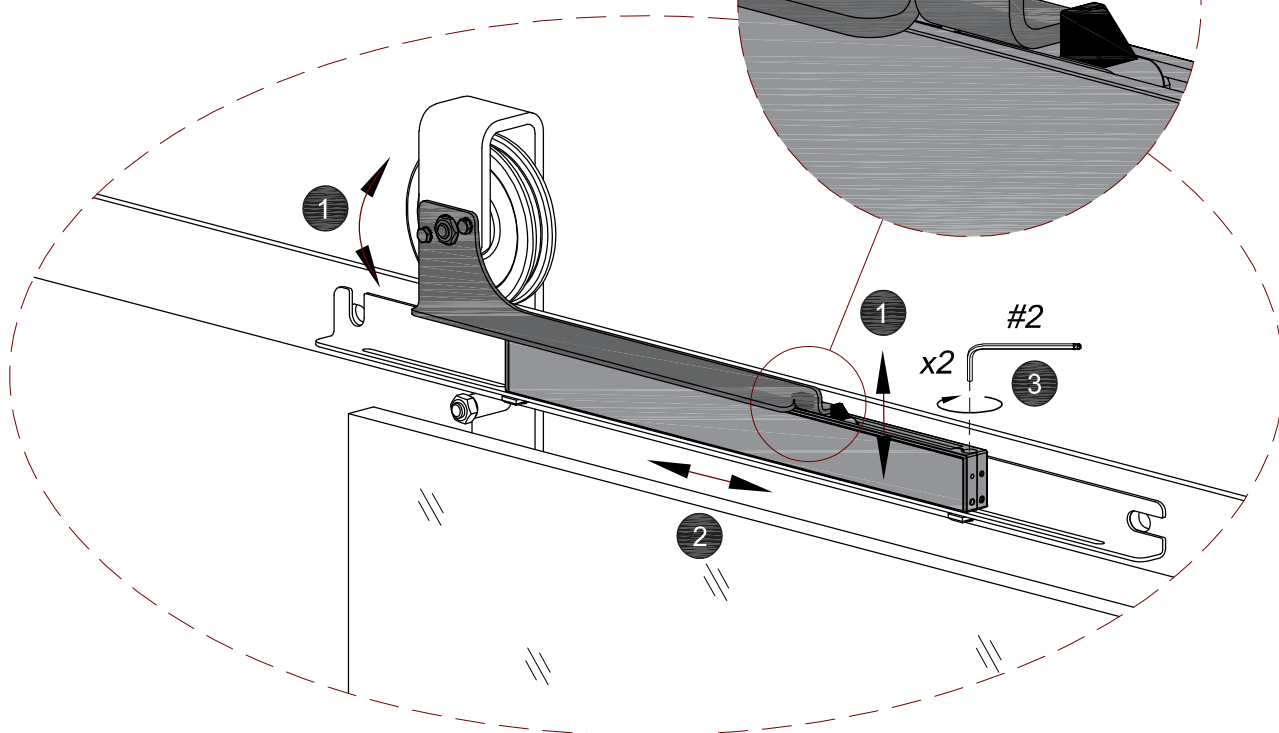
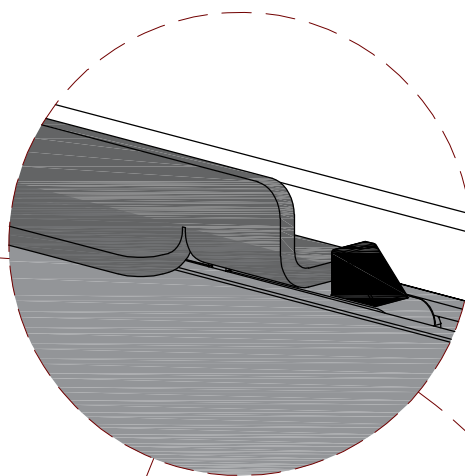
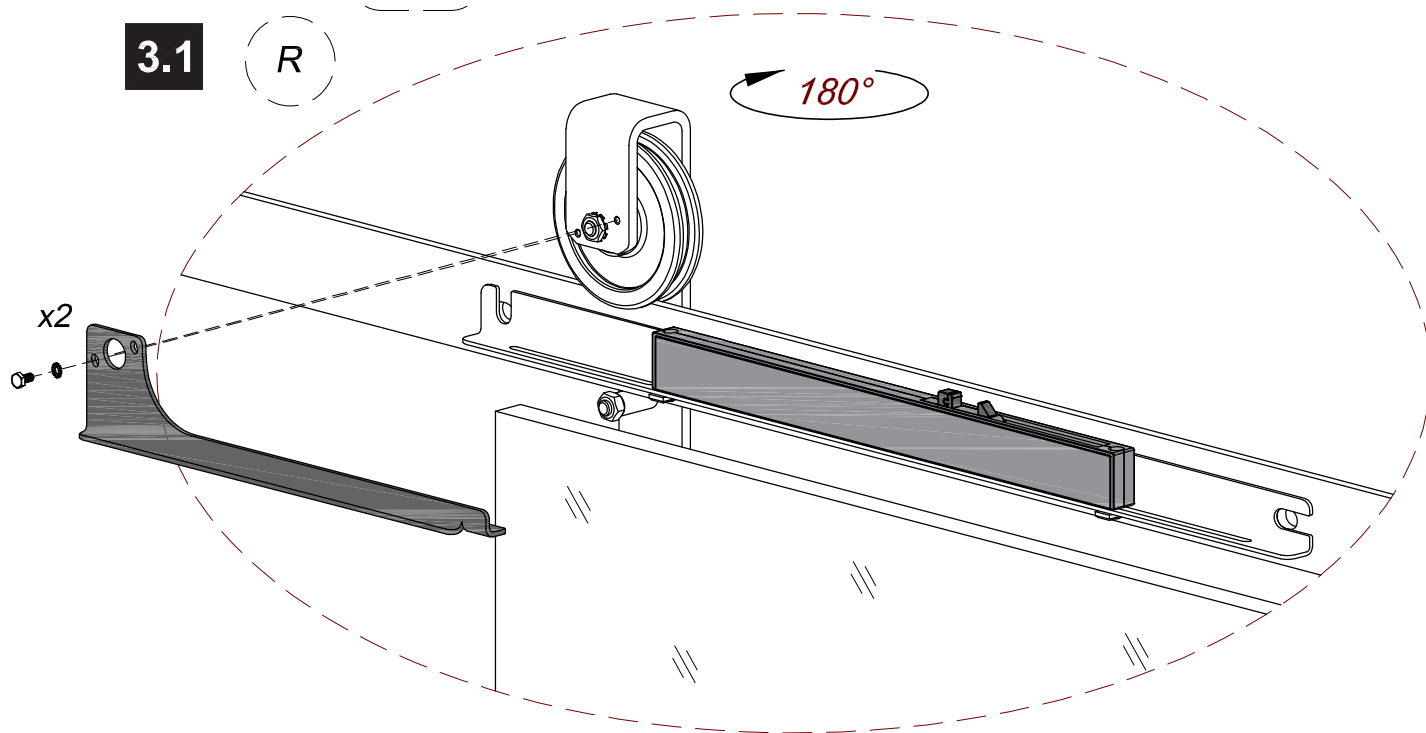


3



3.1

R



3.2

L

