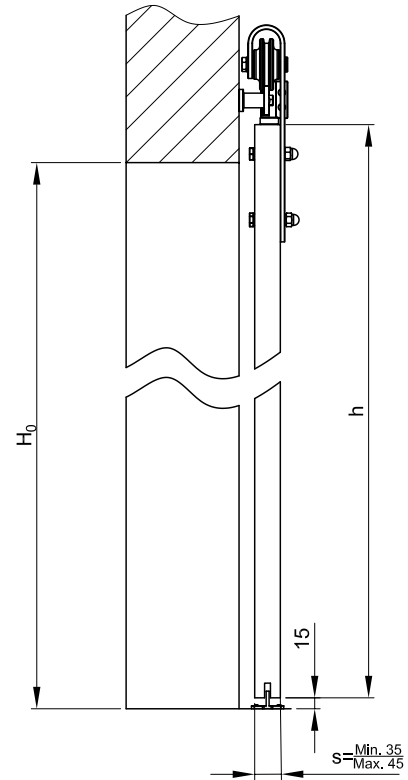
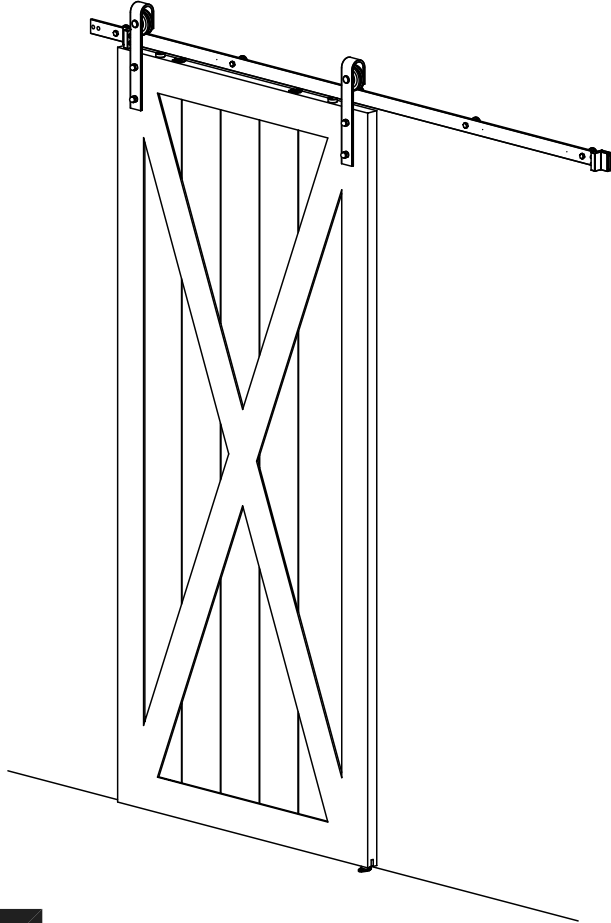
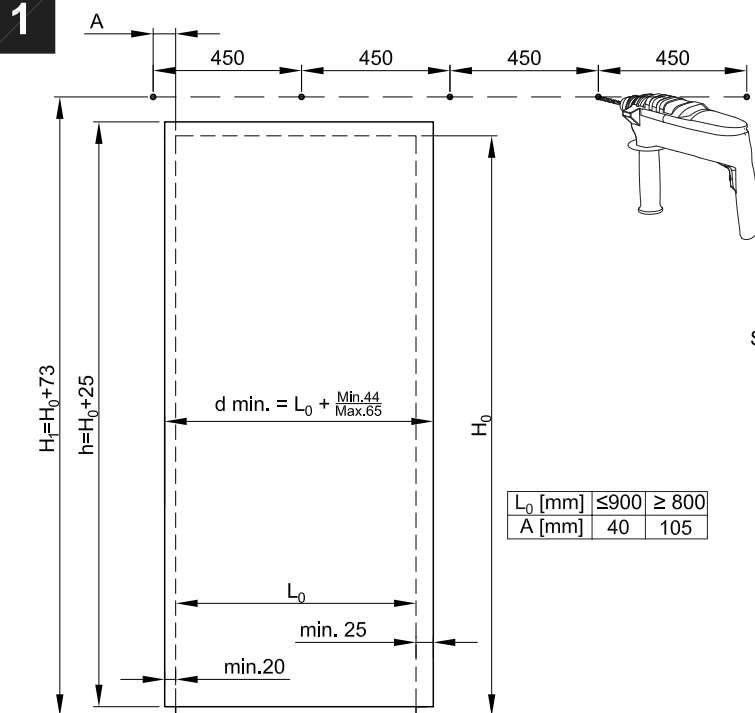




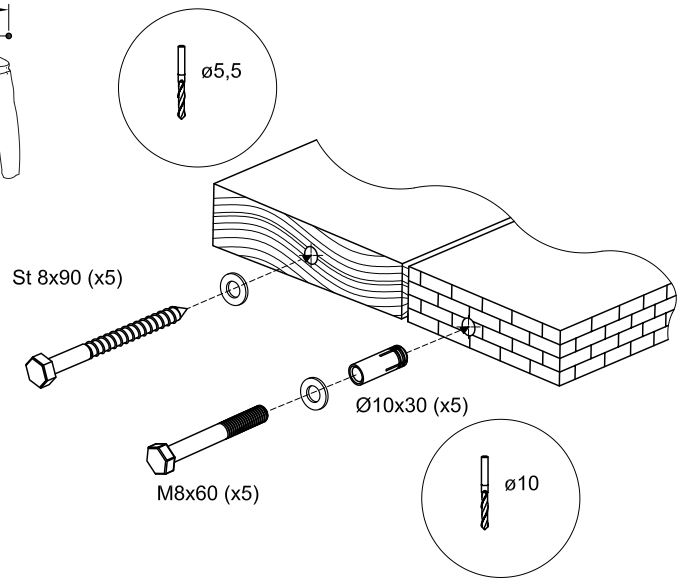
- x1
- x2
- x5
- x2
- x2
- x1
- x4
- x4
- x5
- x5
- x2
-
-
-
-



1

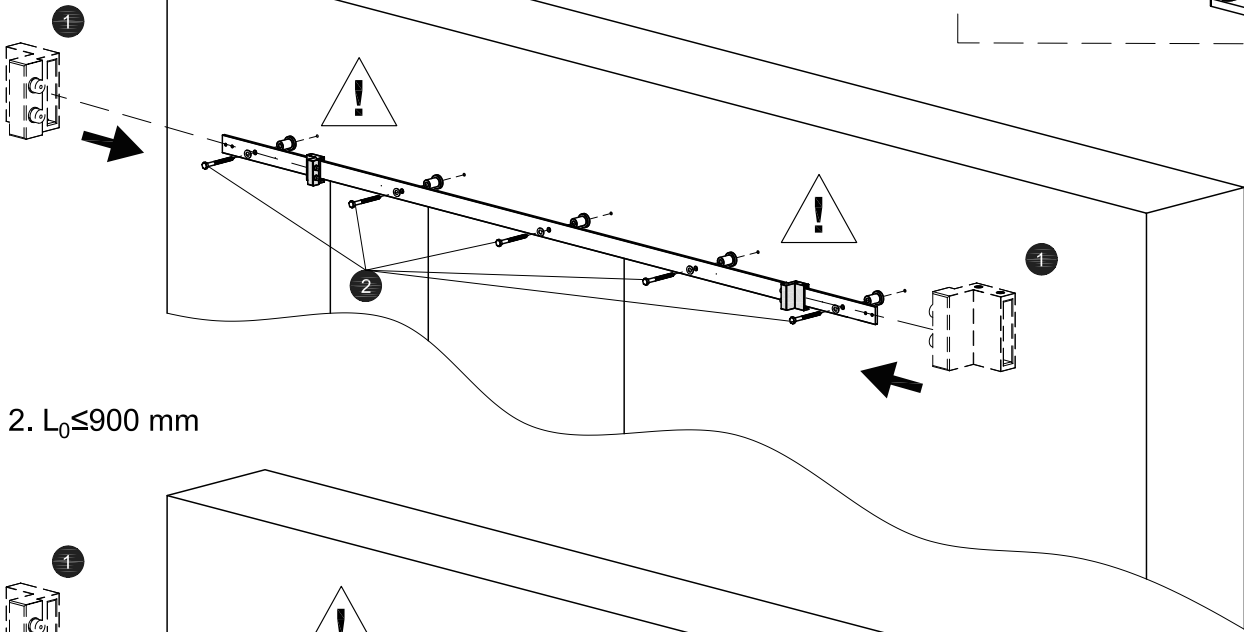
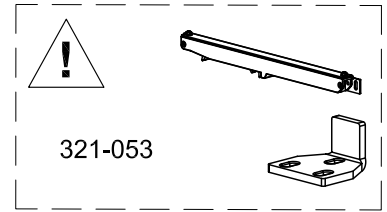


L_0 [mm]	≤ 900	≥ 800
A [mm]	40	105

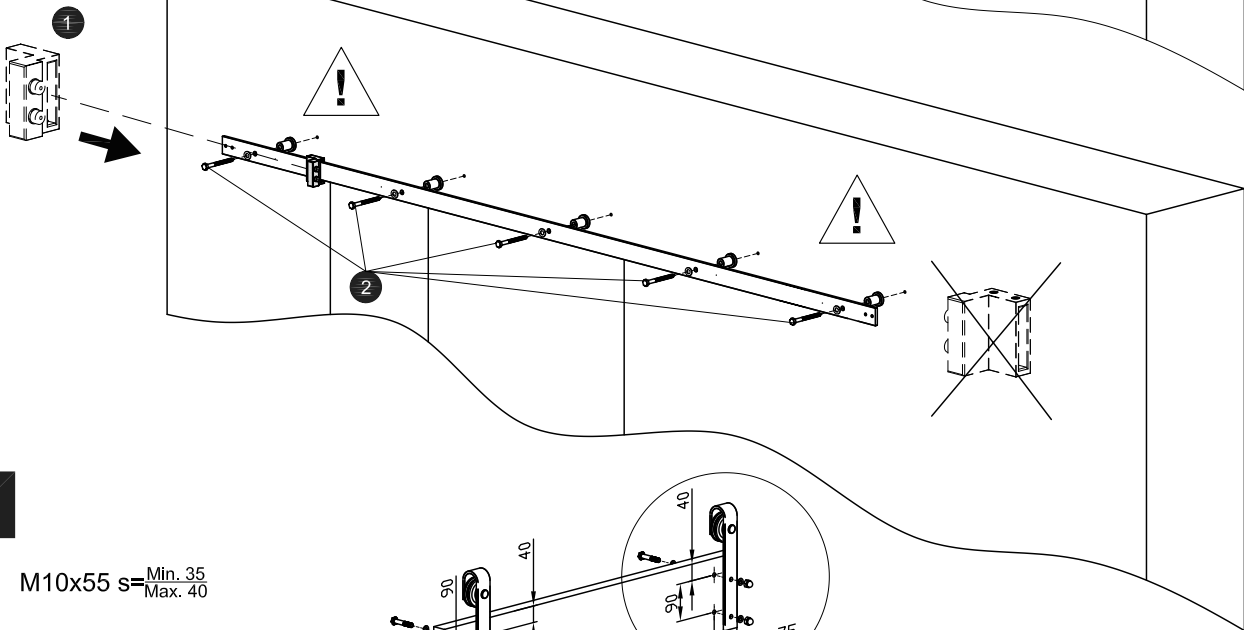


1. $L_0 \geq 800$ mm

2



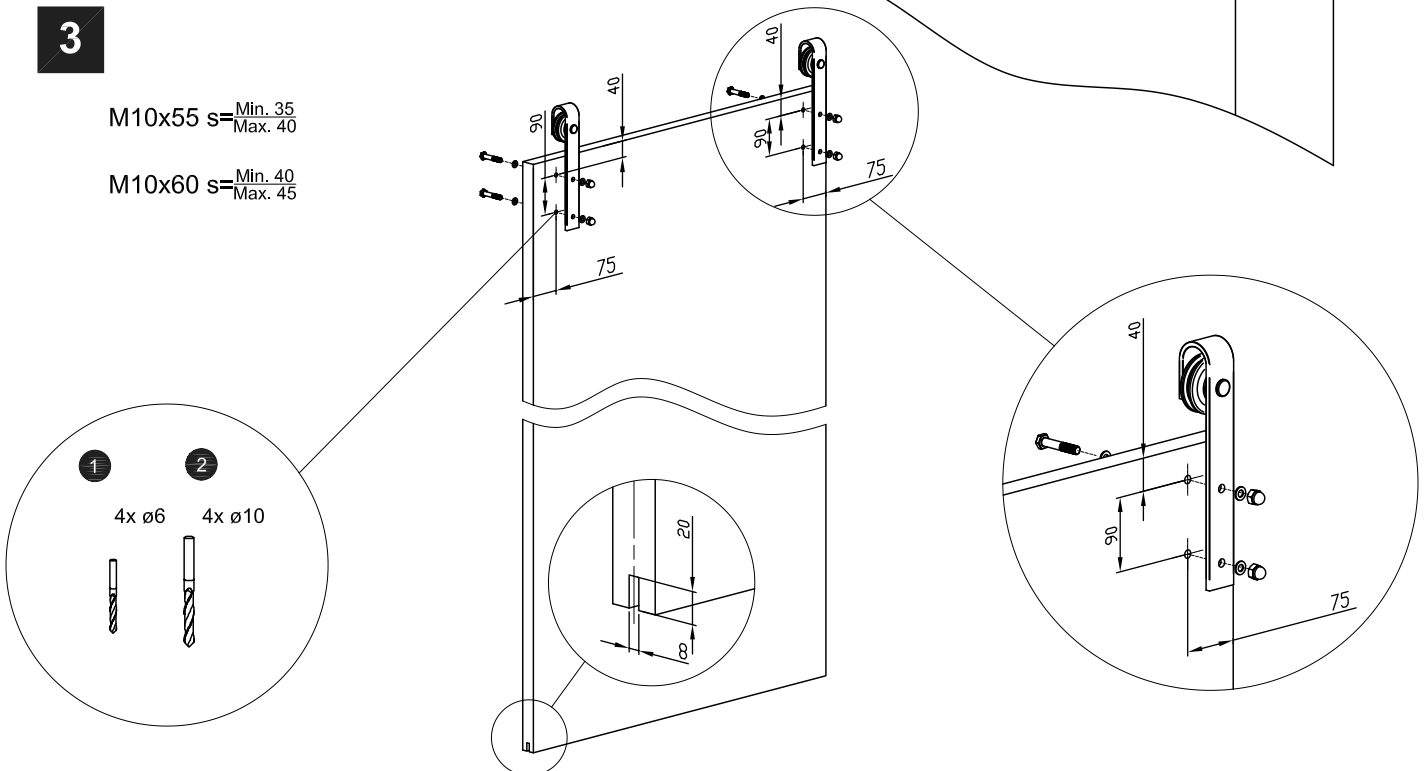
2. $L_0 \leq 900$ mm



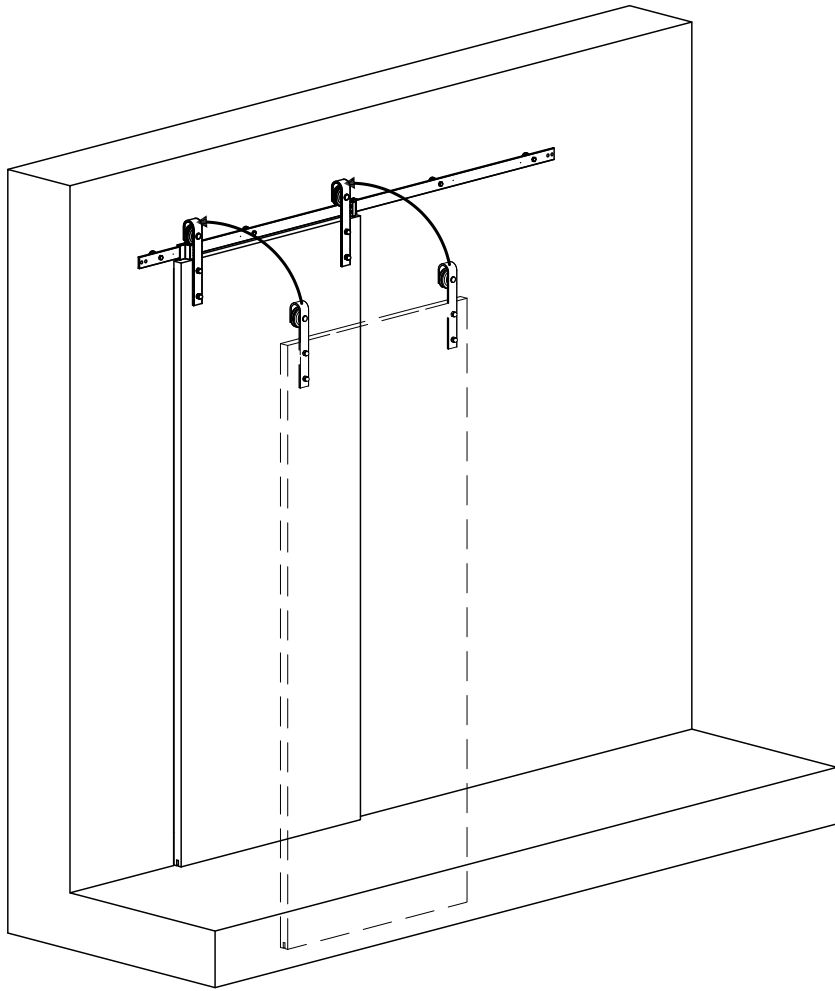
3

M10x55 $s = \begin{matrix} \text{Min. } 35 \\ \text{Max. } 40 \end{matrix}$

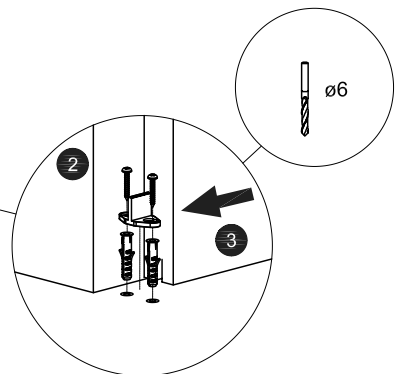
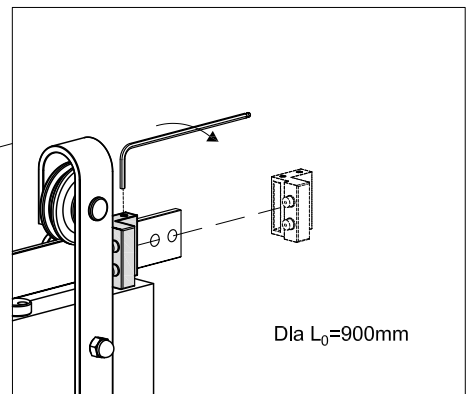
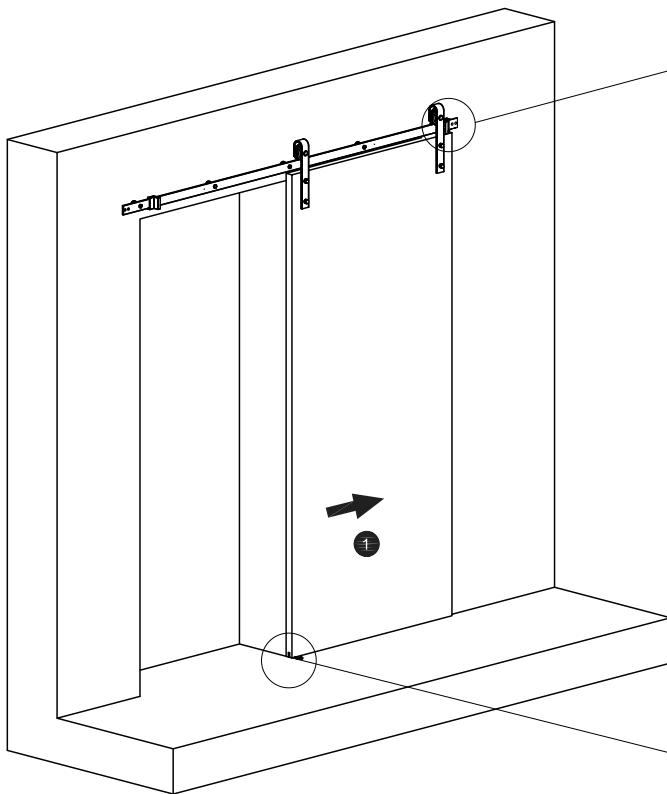
M10x60 $s = \begin{matrix} \text{Min. } 40 \\ \text{Max. } 45 \end{matrix}$



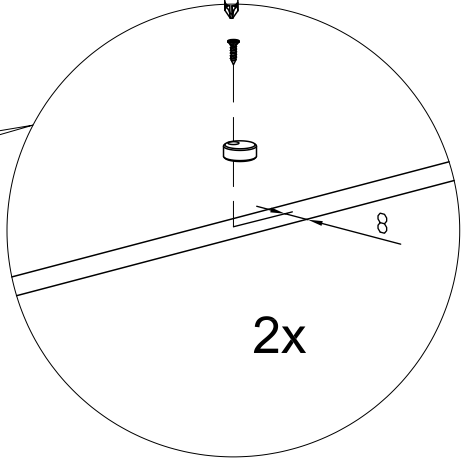
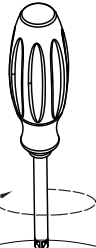
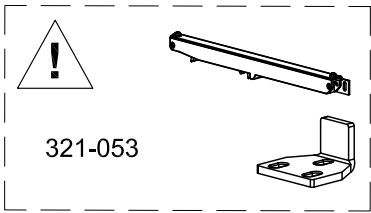
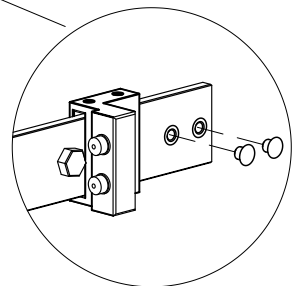
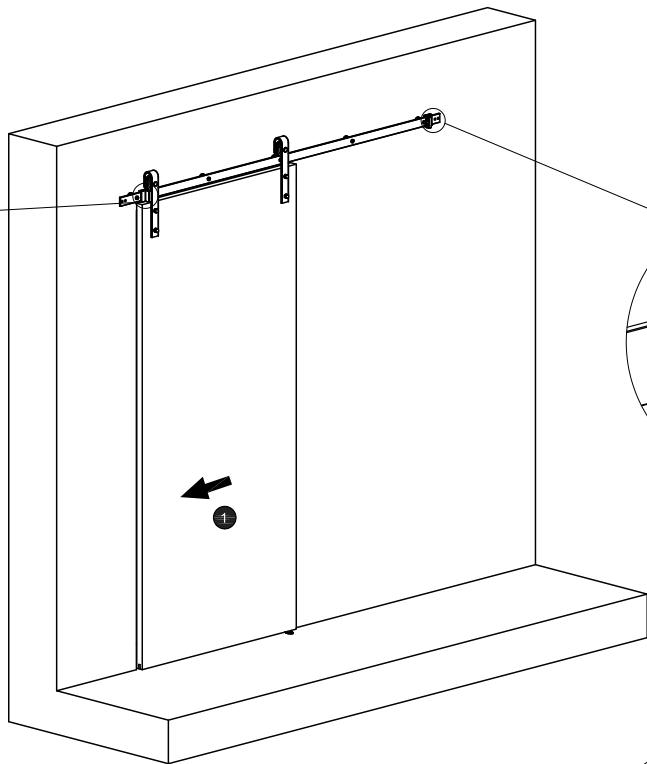
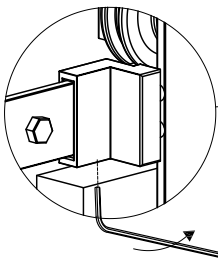
4



5



6



7

