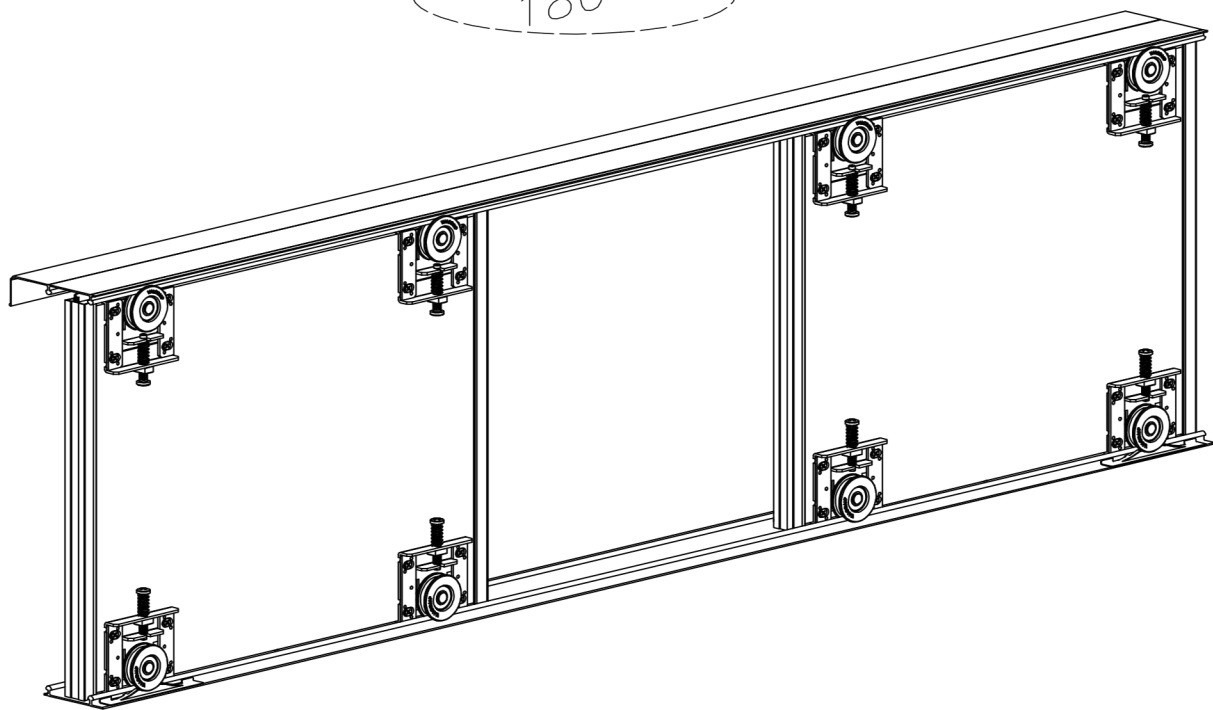
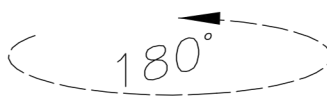
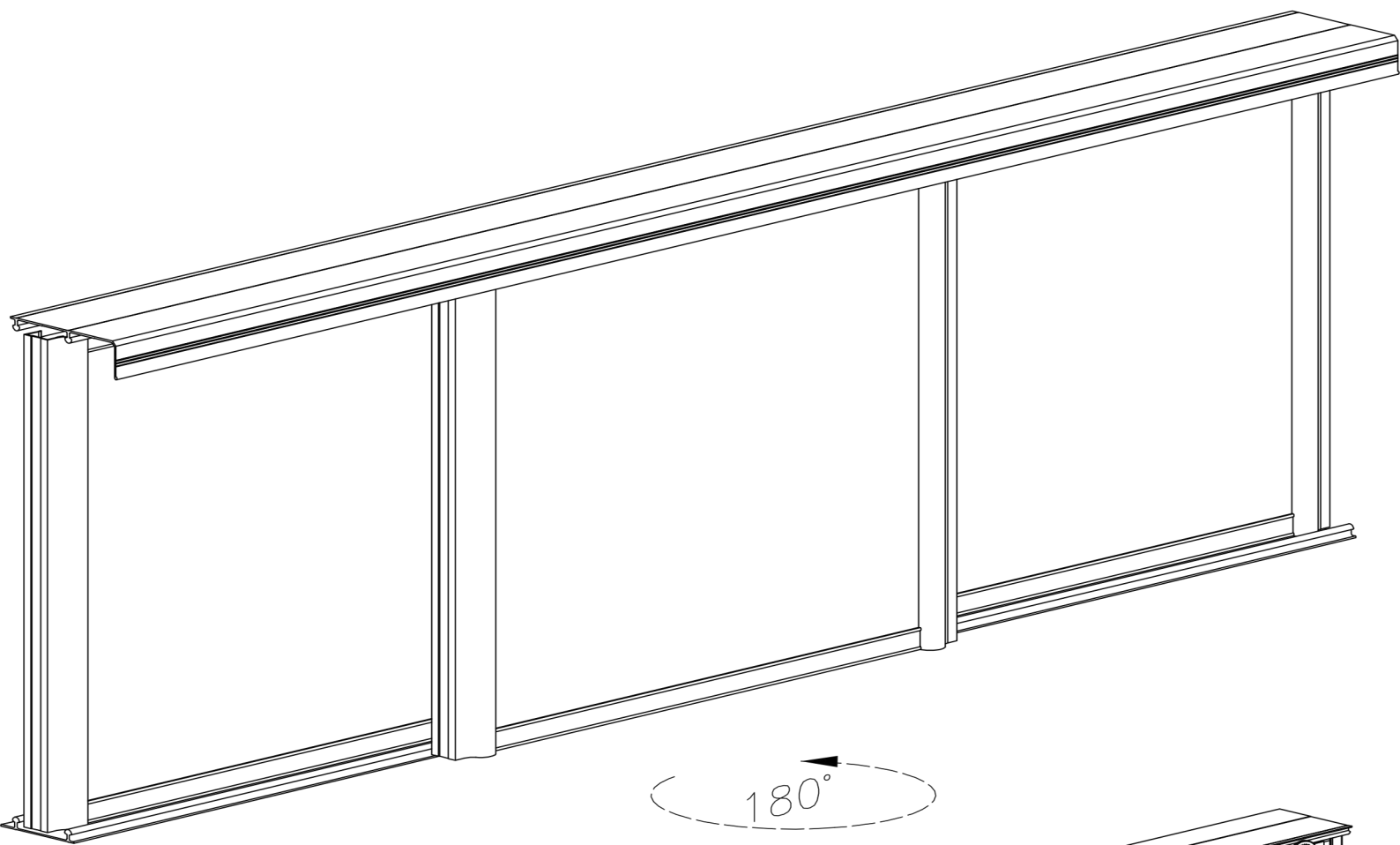




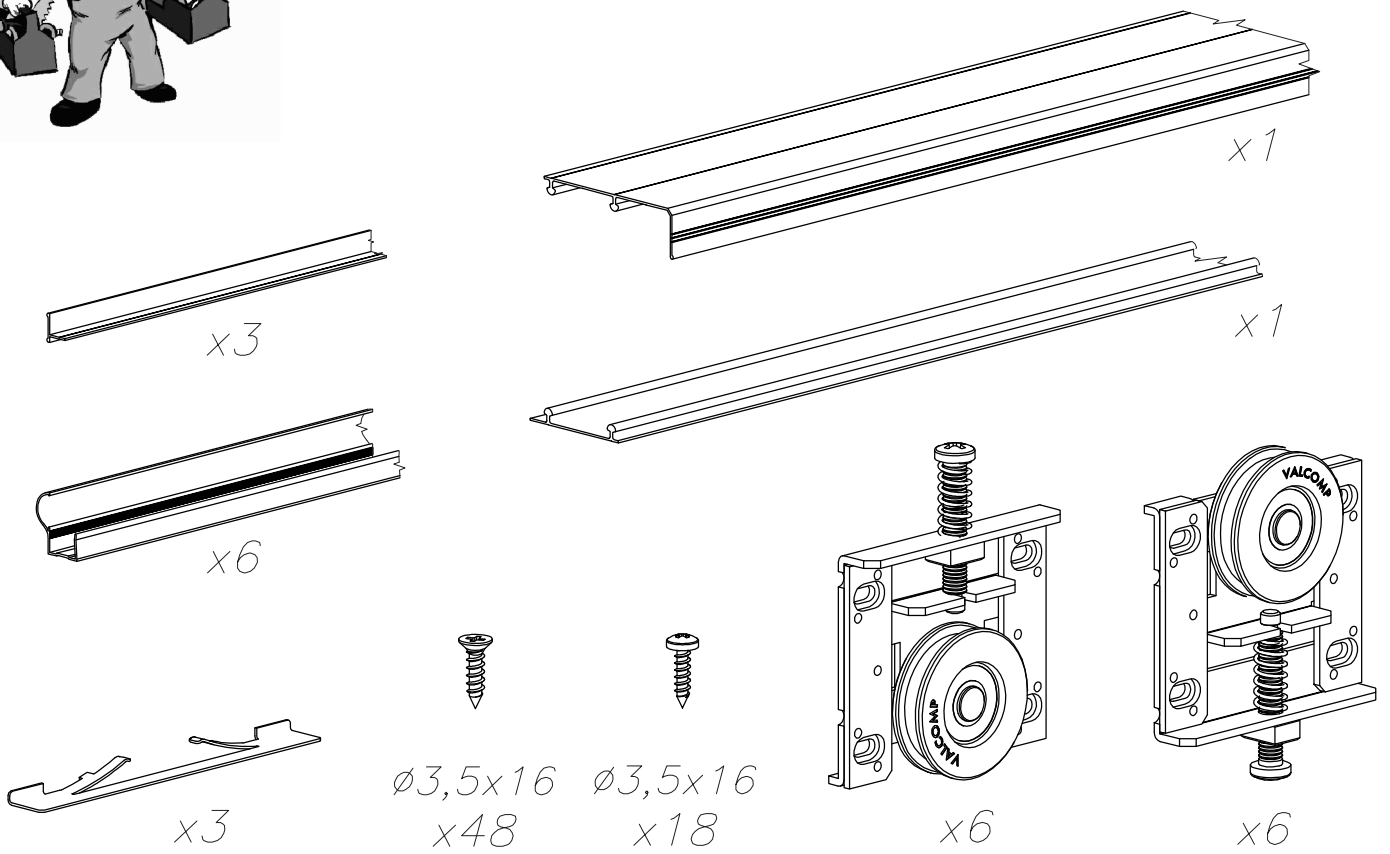
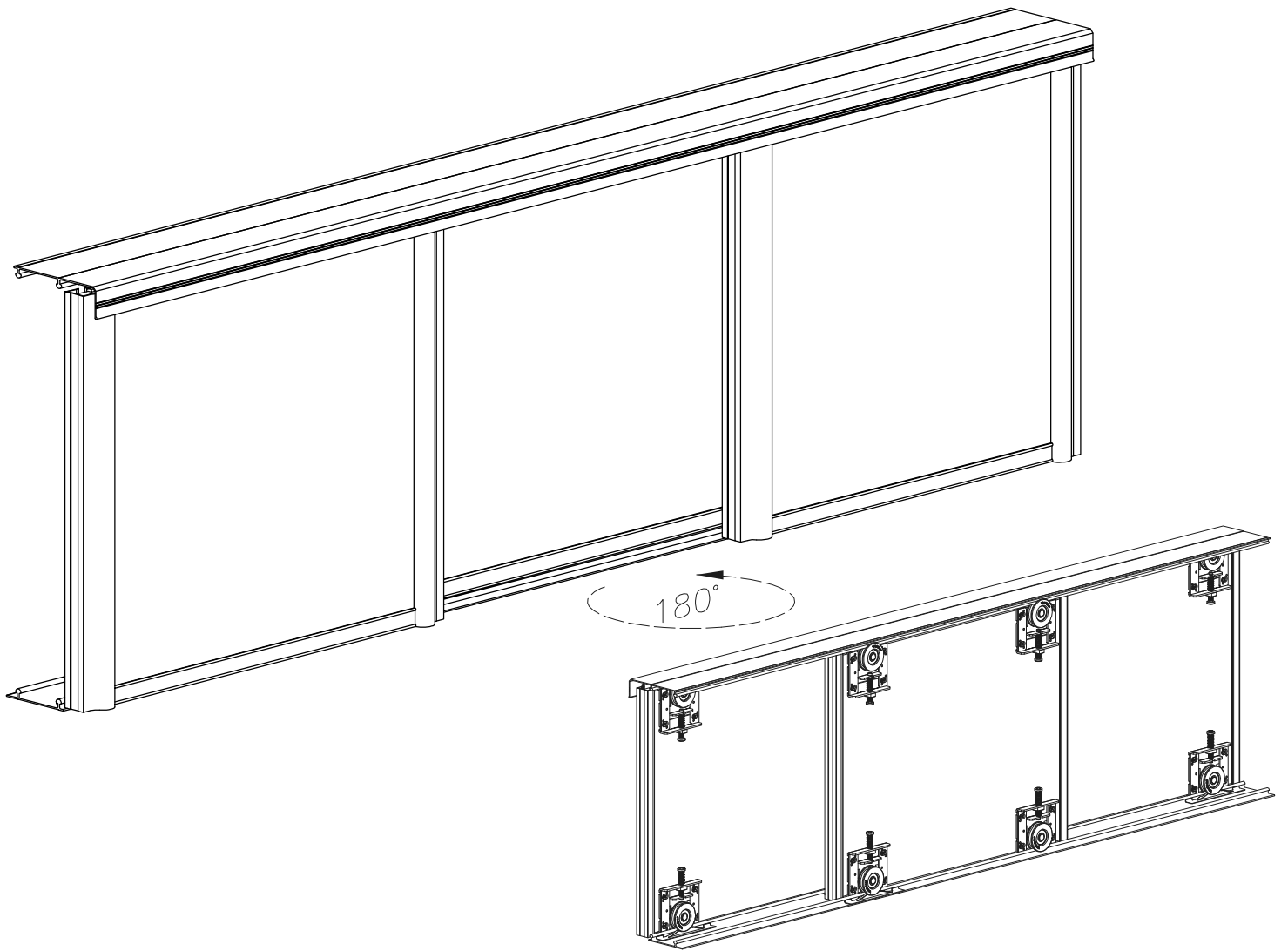
www.valcomp.pl

APEC 3

3 СТВОРКИ

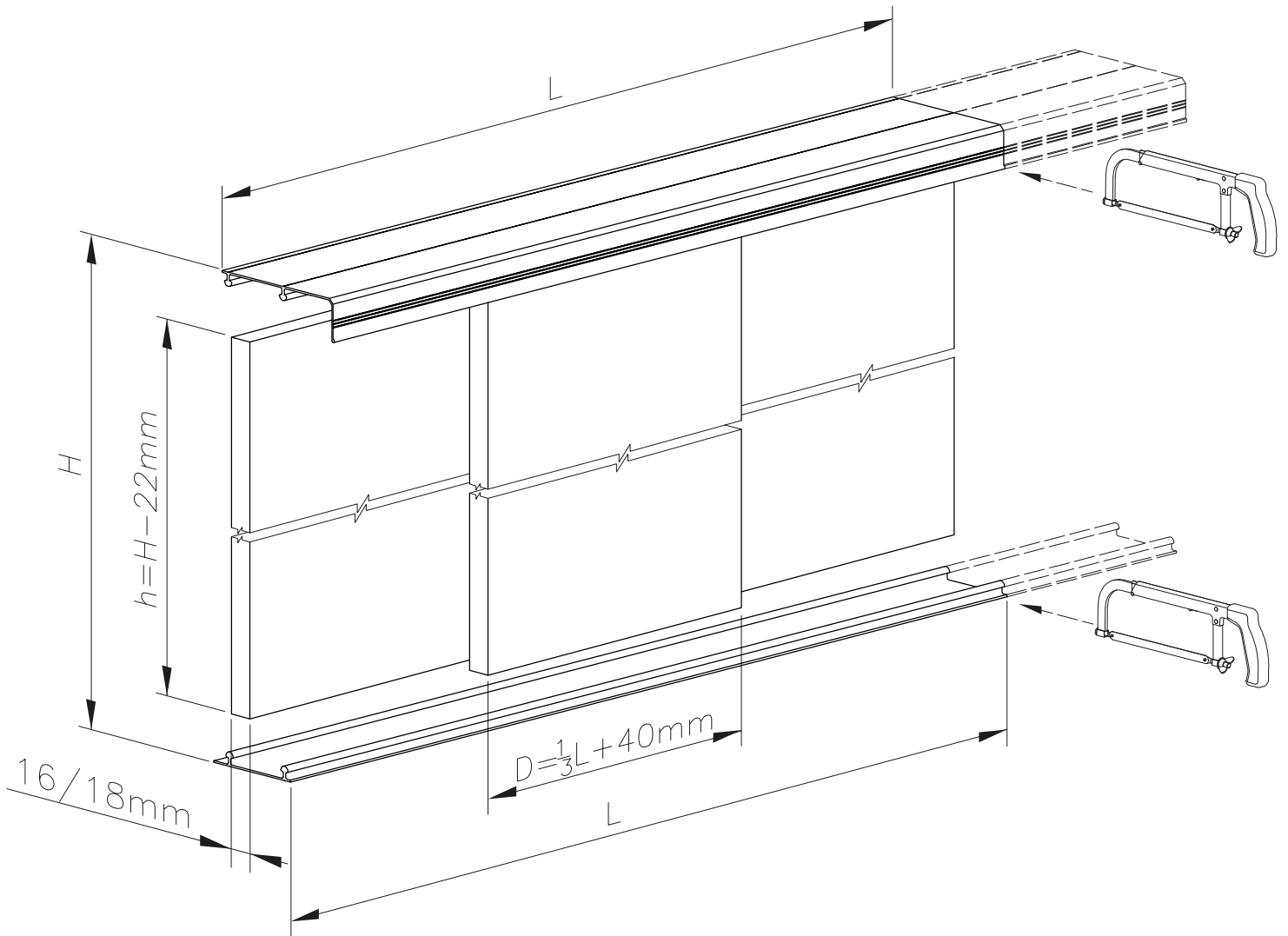


3D



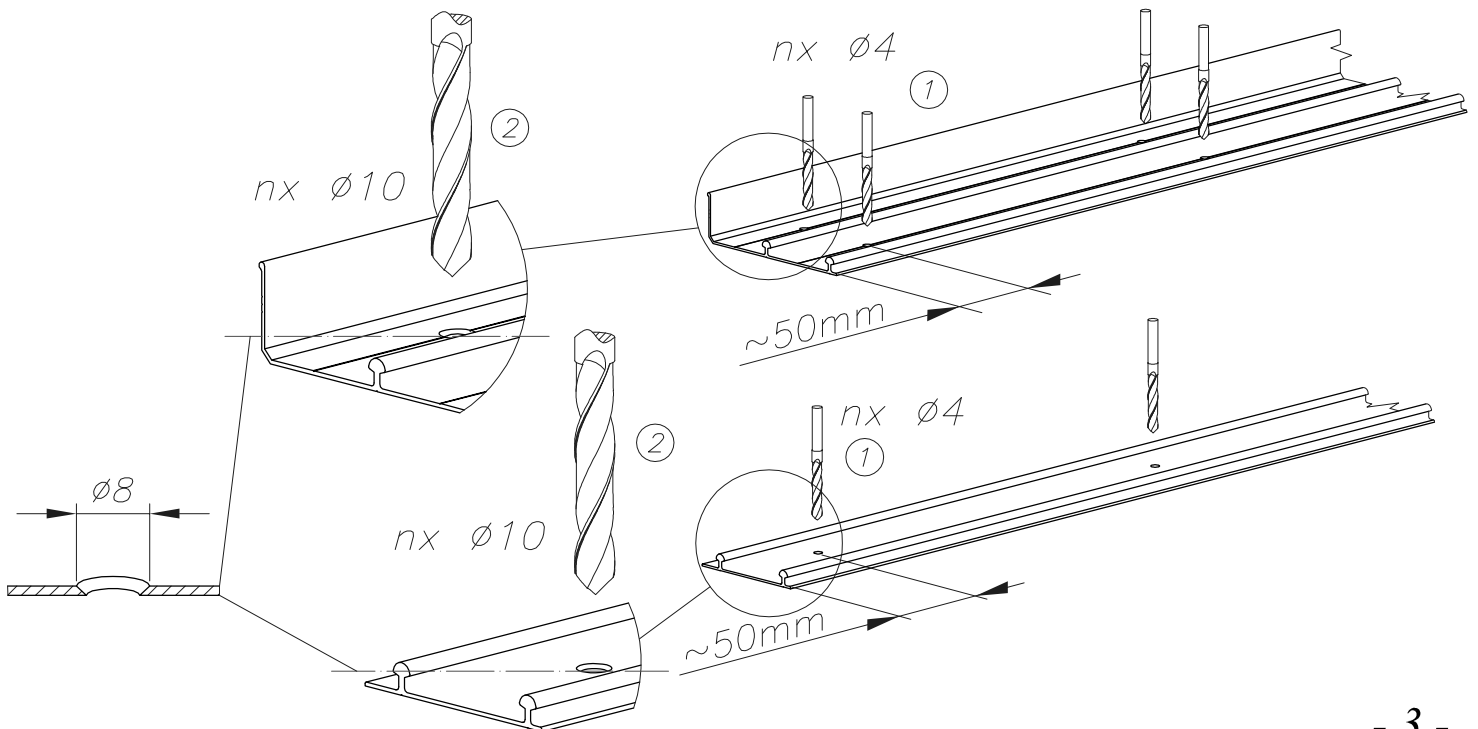


1



2

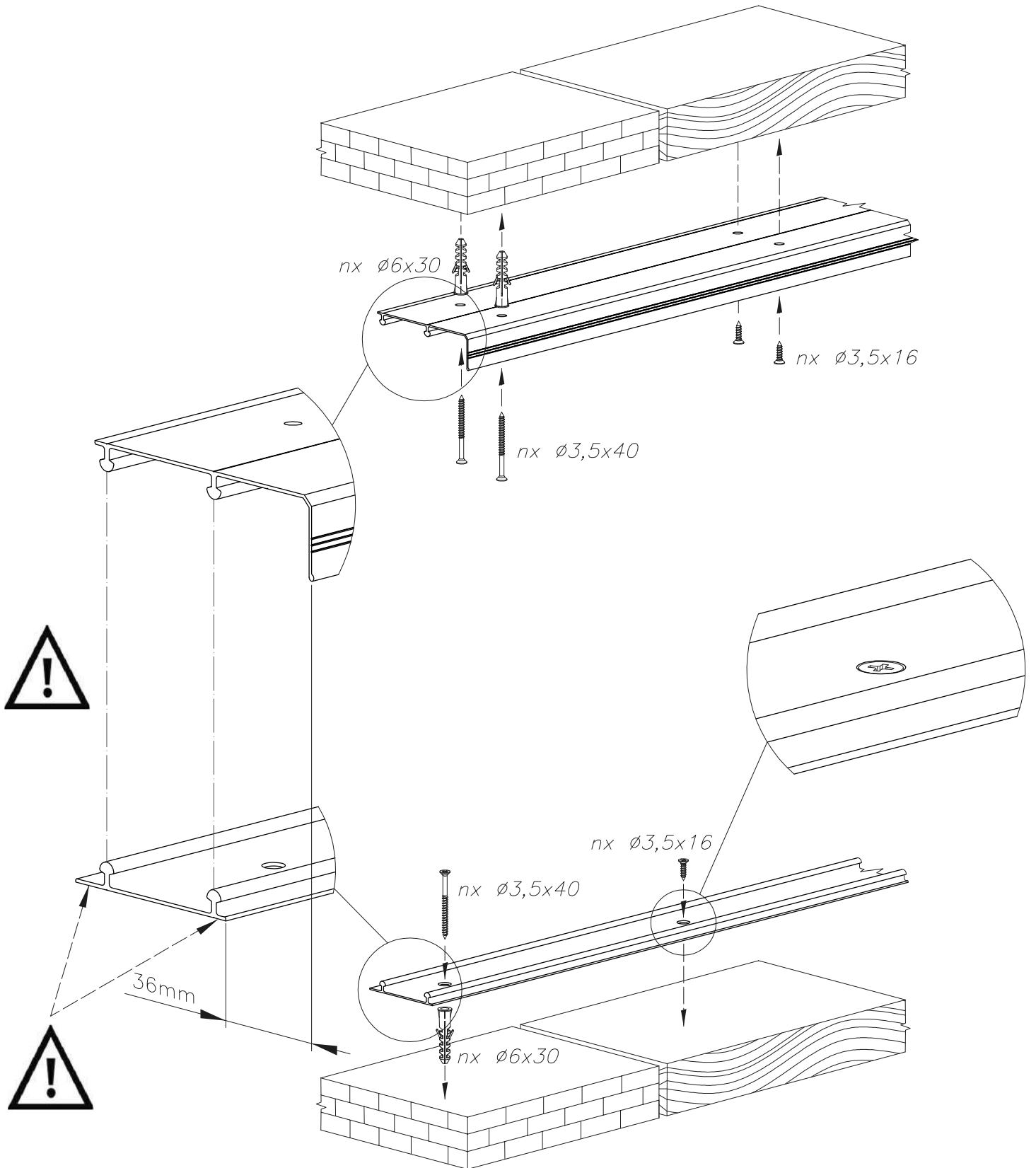
$L[\text{mm}]$	1200	1500	1800	2000	2400	2700
$n[\text{szt}]$	3	3	4	4	5	5



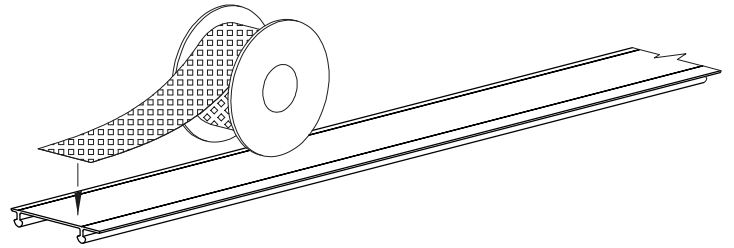
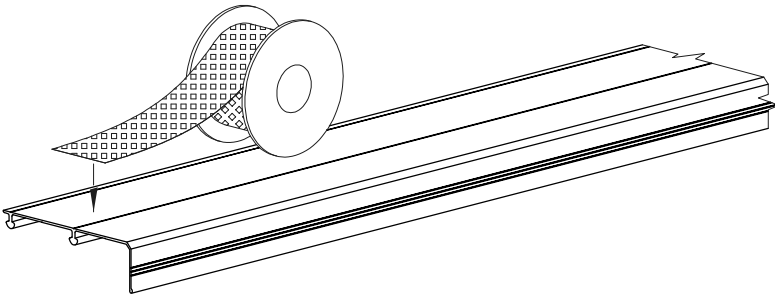


3

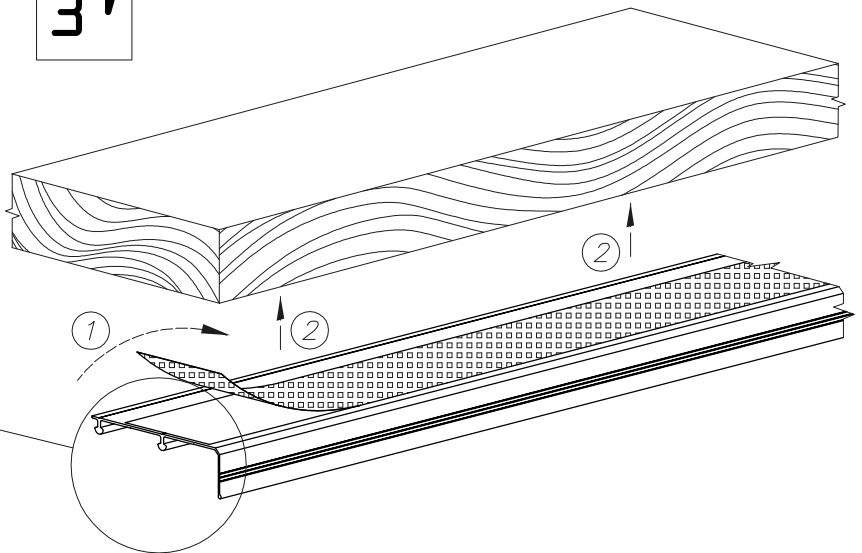
L[mm]	1200	1500	1800	2000	2400	2700
n[szt]	3	3	4	4	5	5



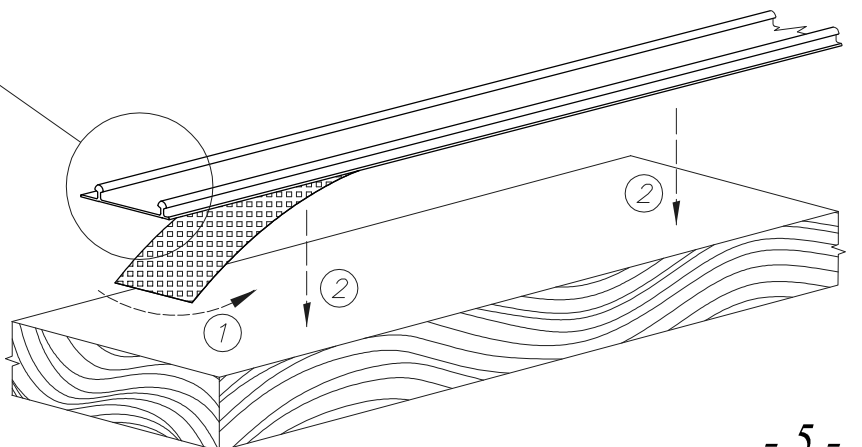
2'



3'

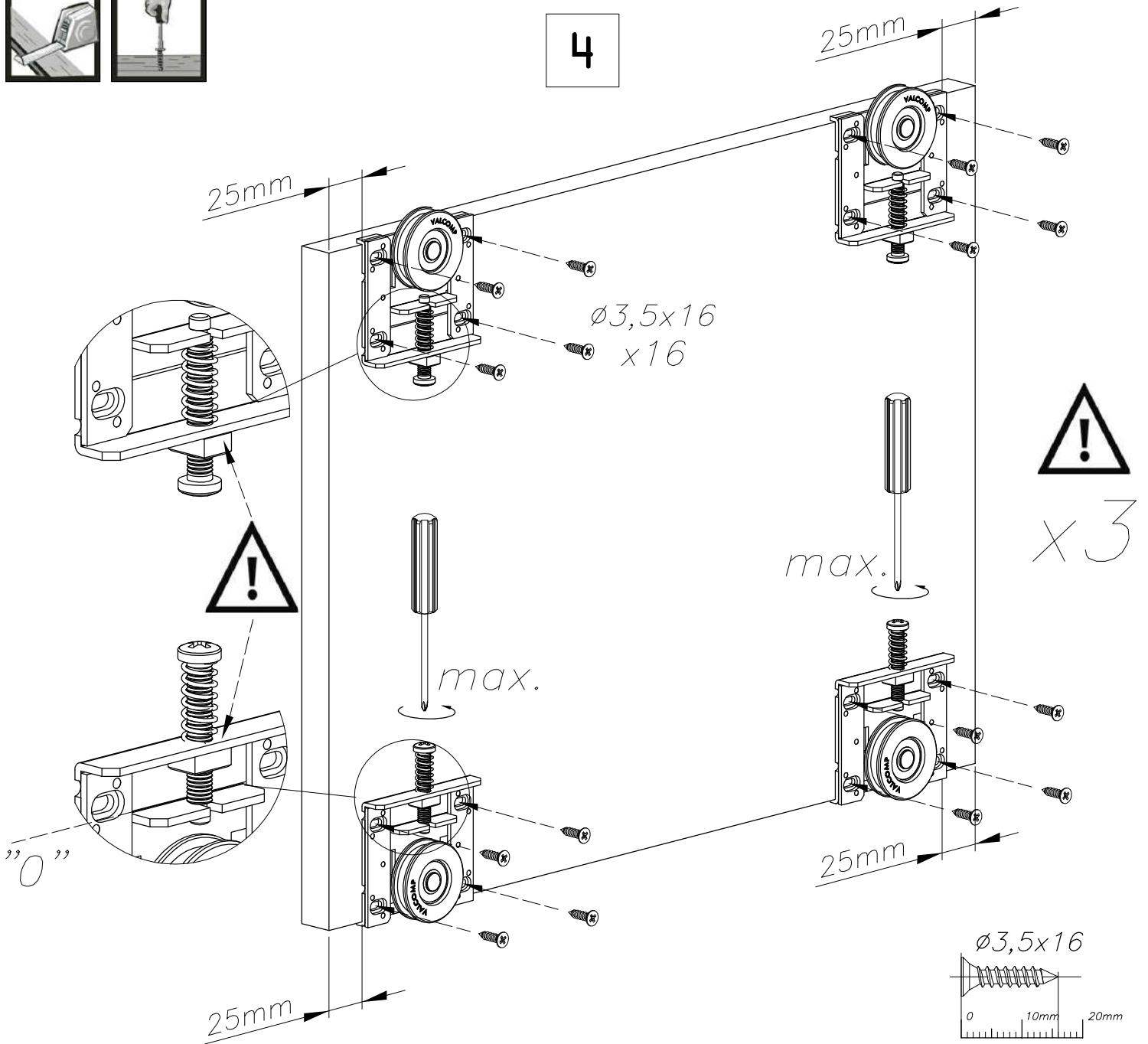


36mm





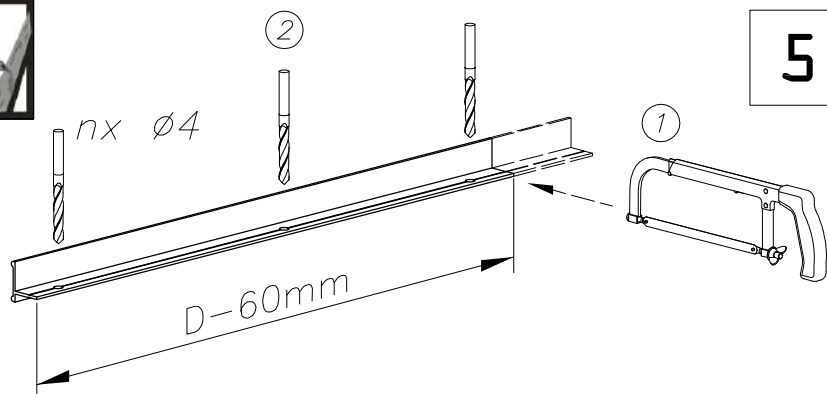
4



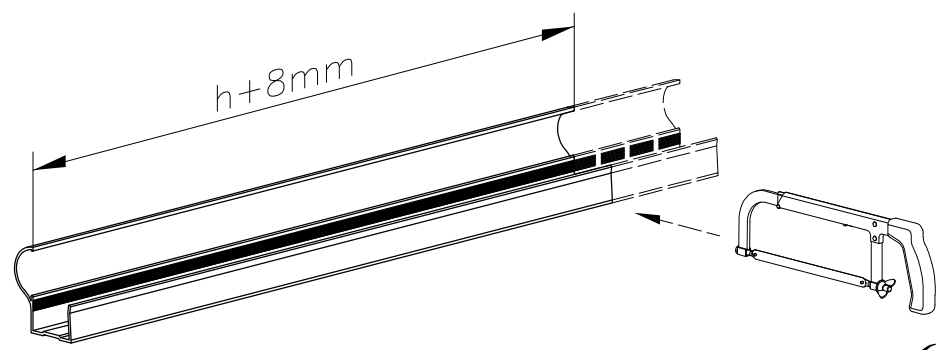
5

D[mm]	<500	>500
n[szt]	2	3

x6

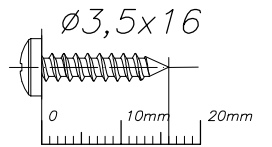
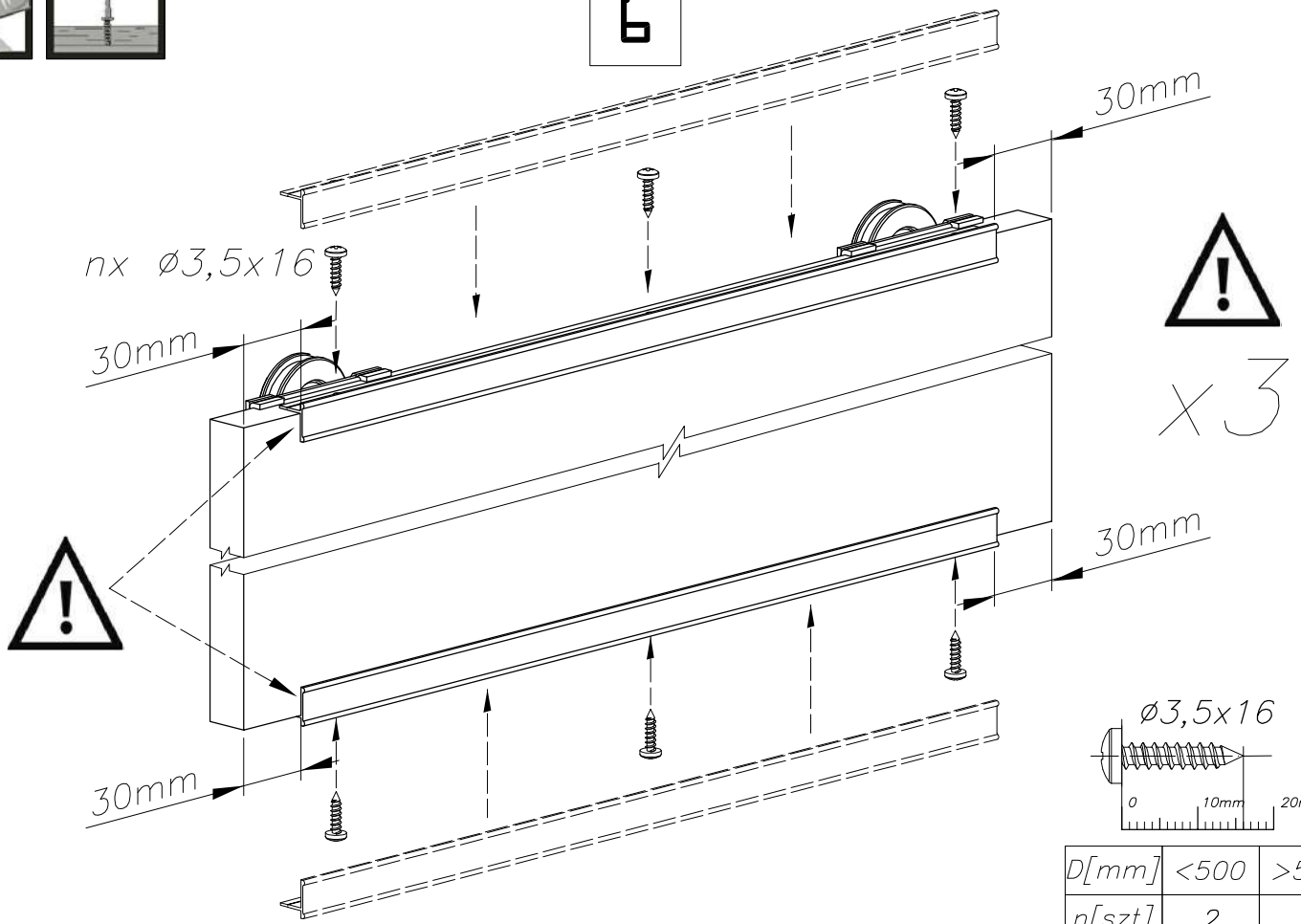


x6





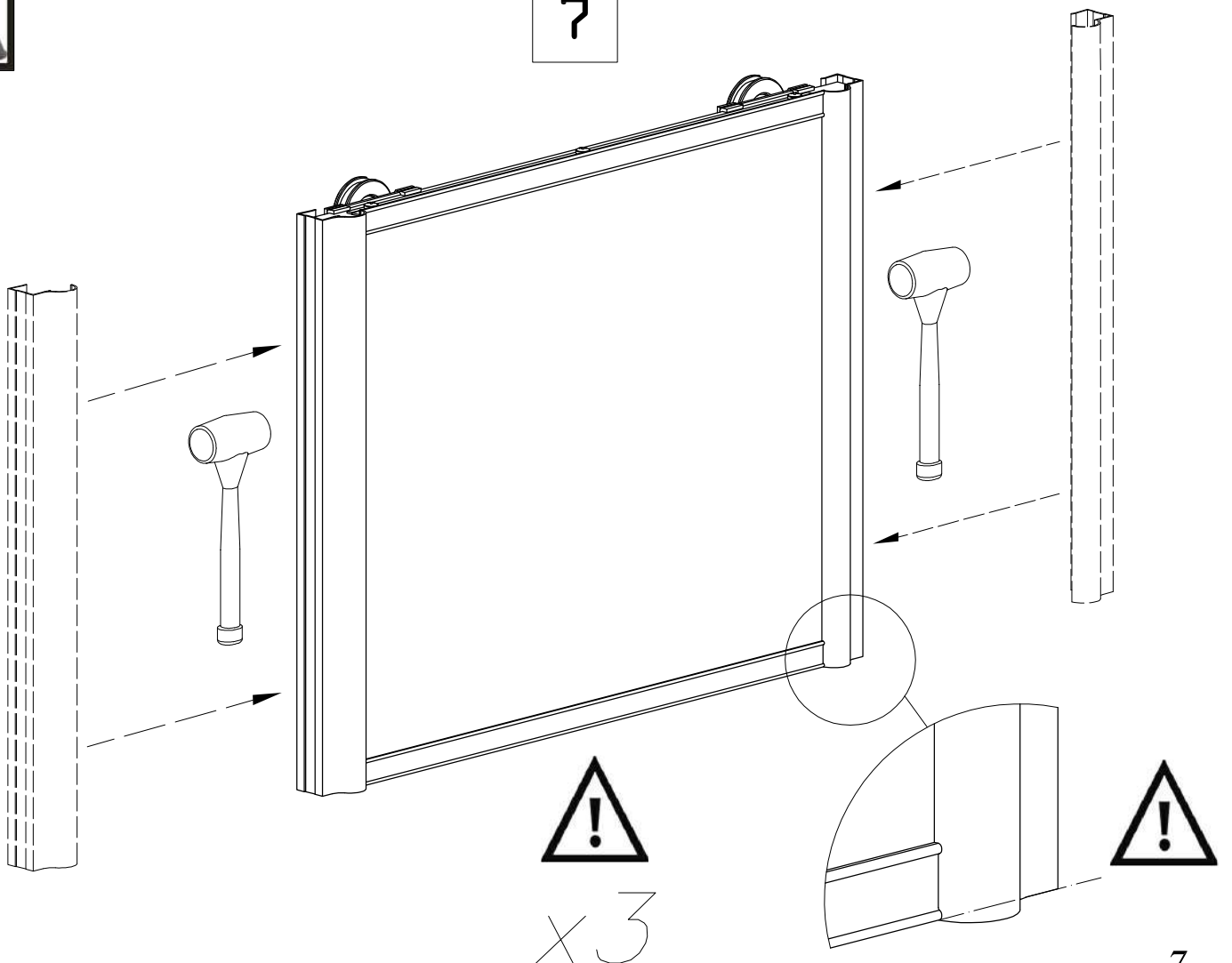
6

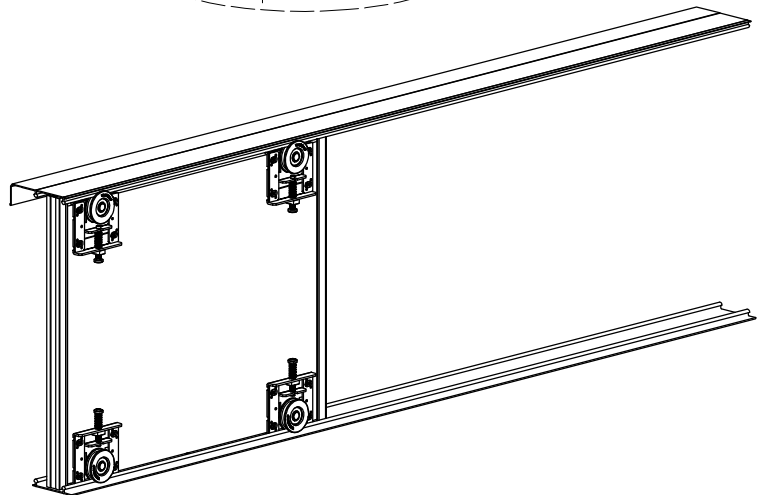
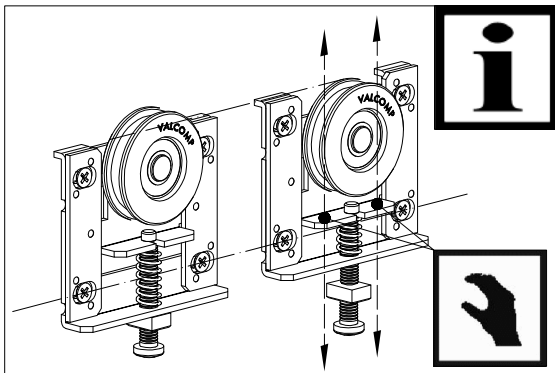
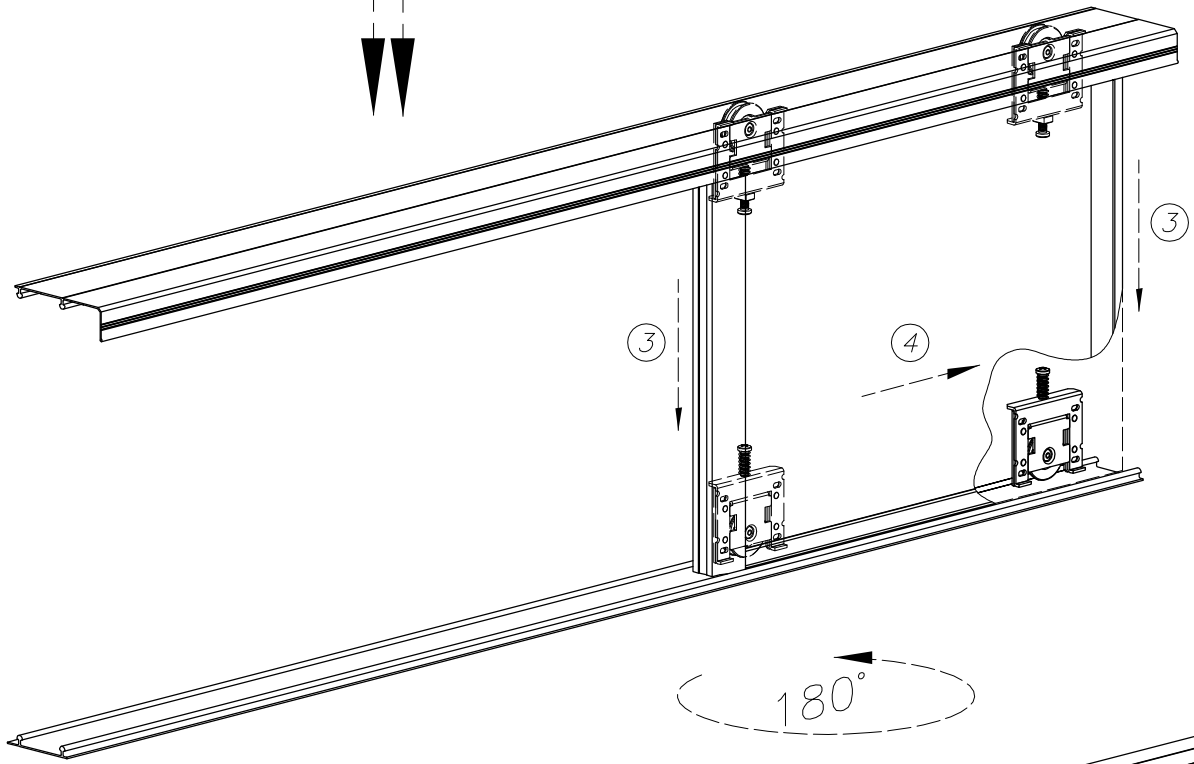
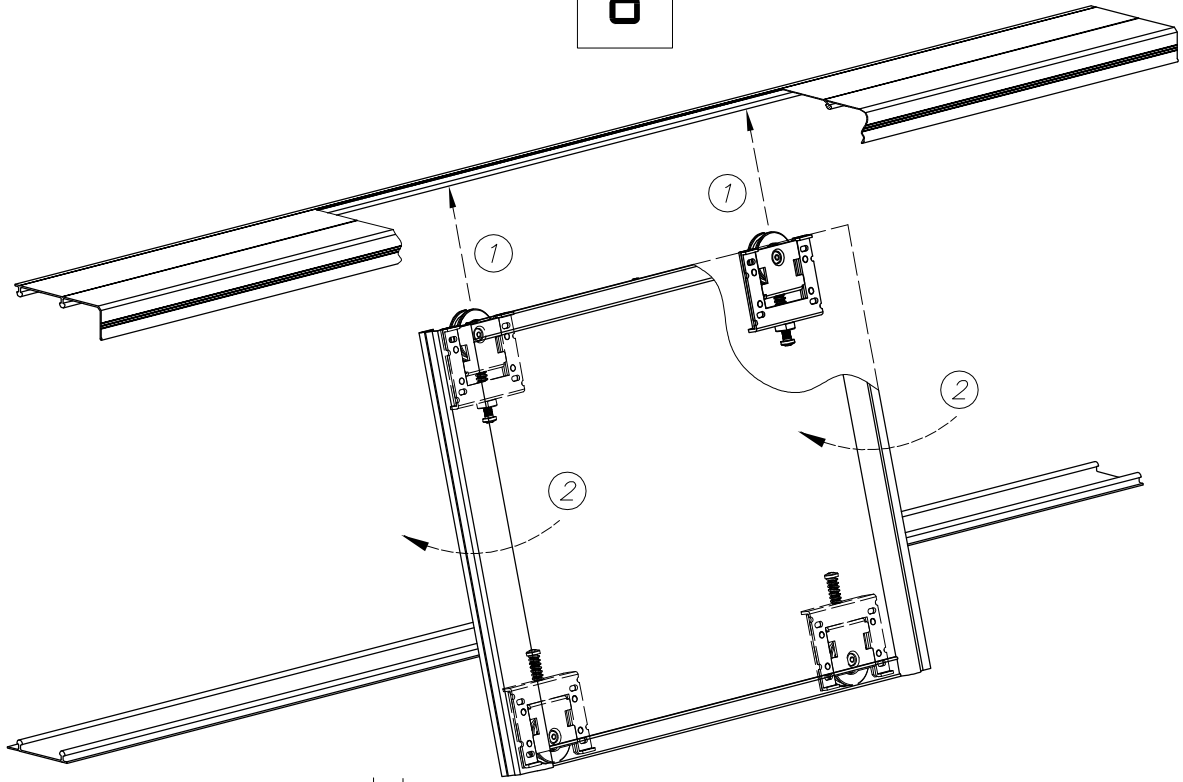
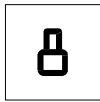


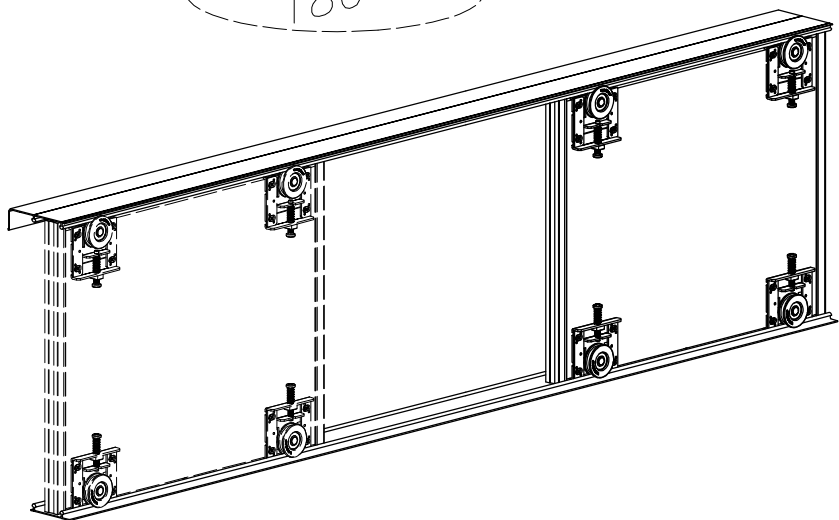
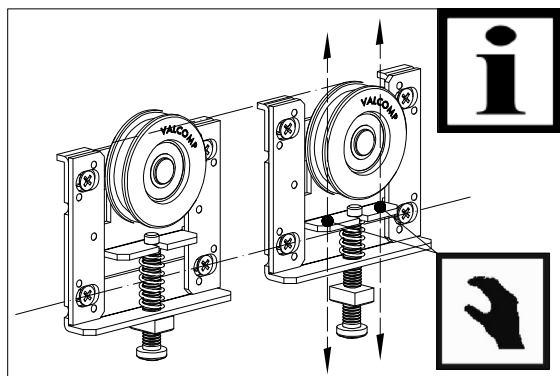
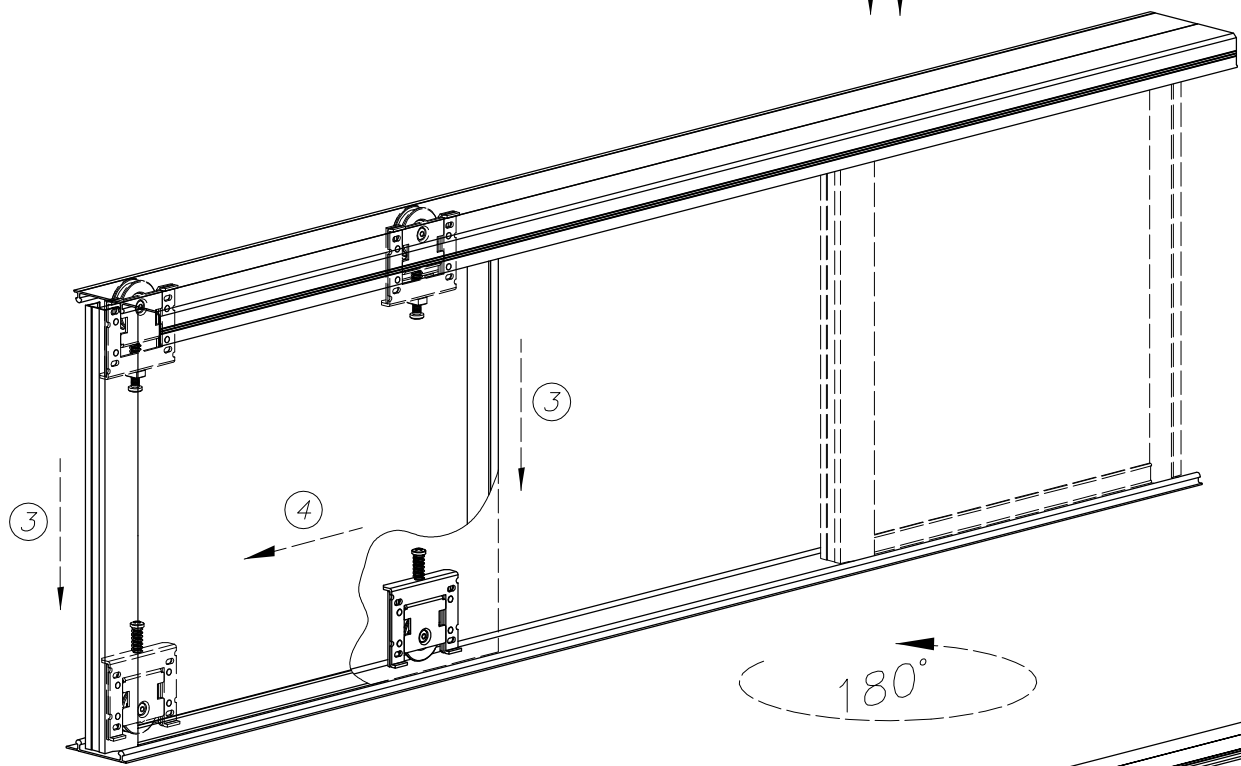
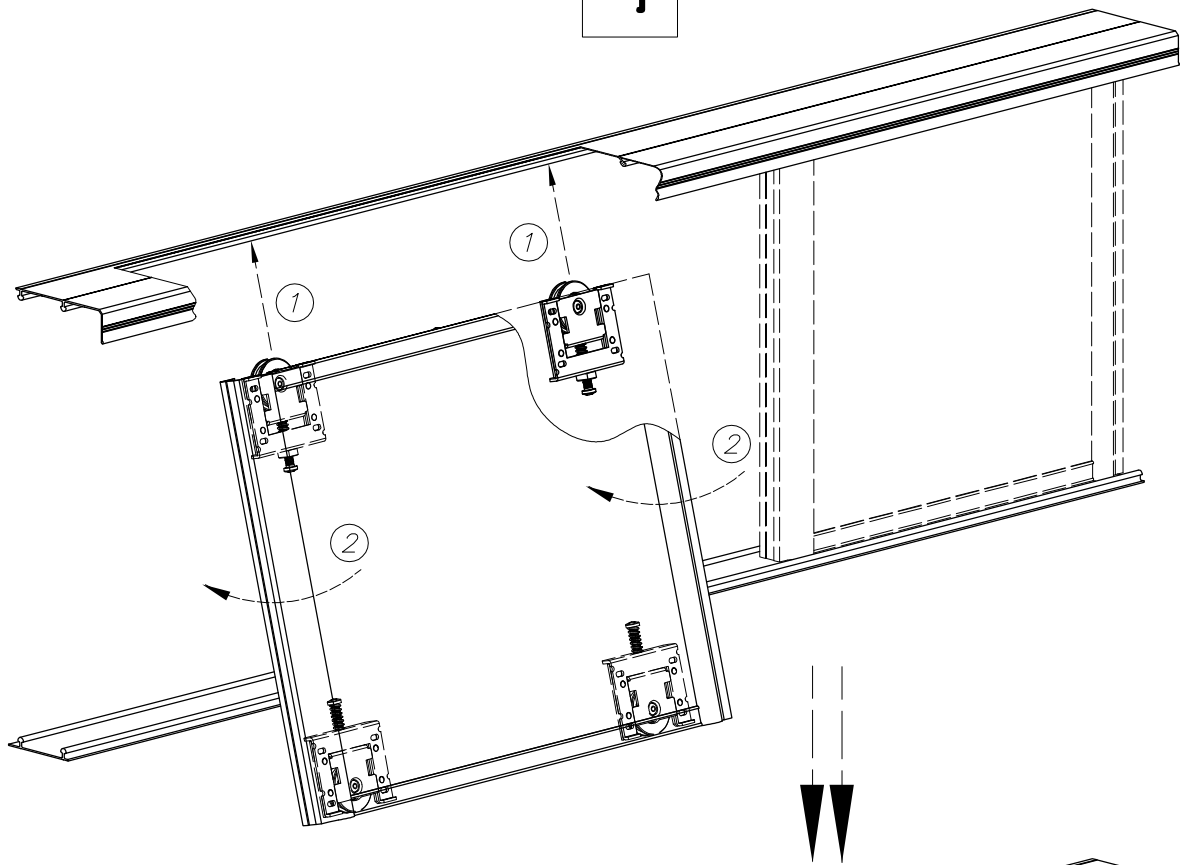
D[mm]	<500	>500
n[szt]	2	3

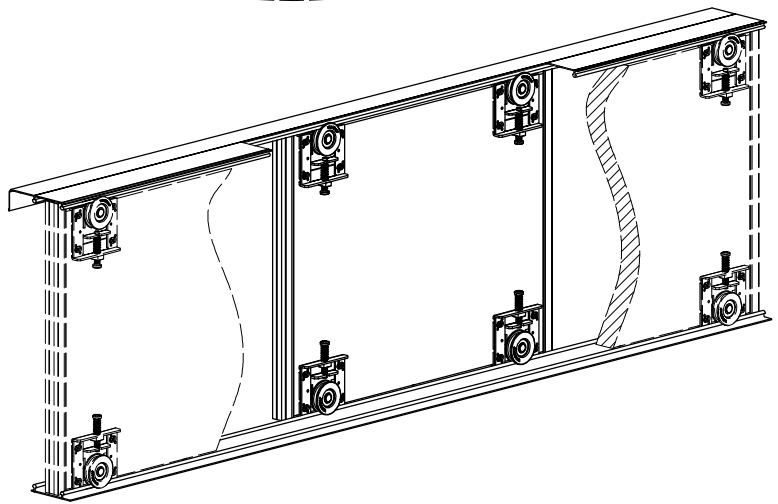
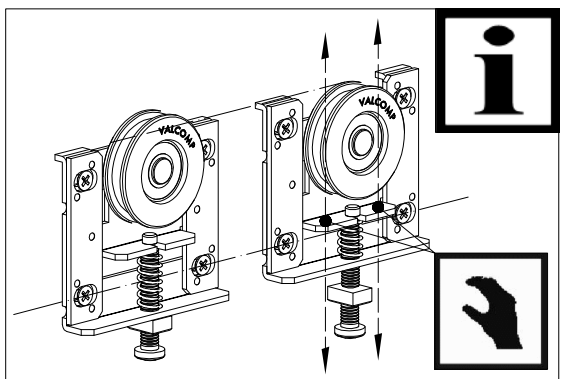
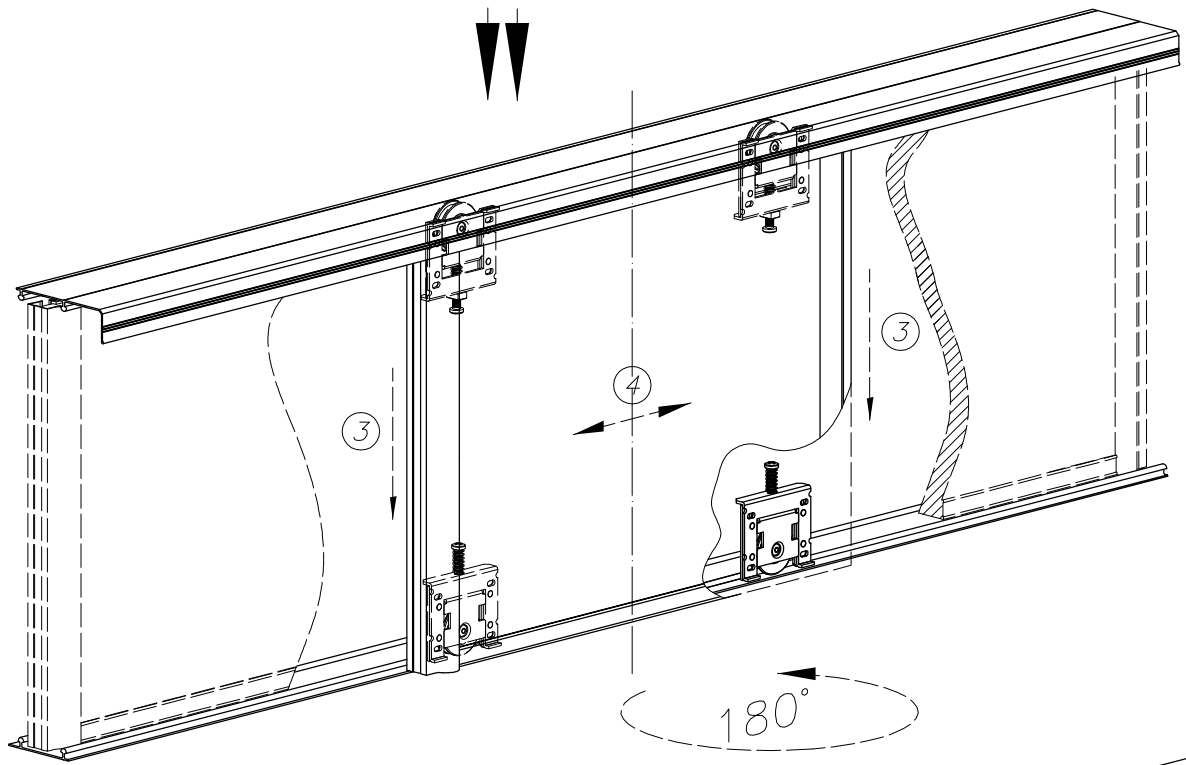
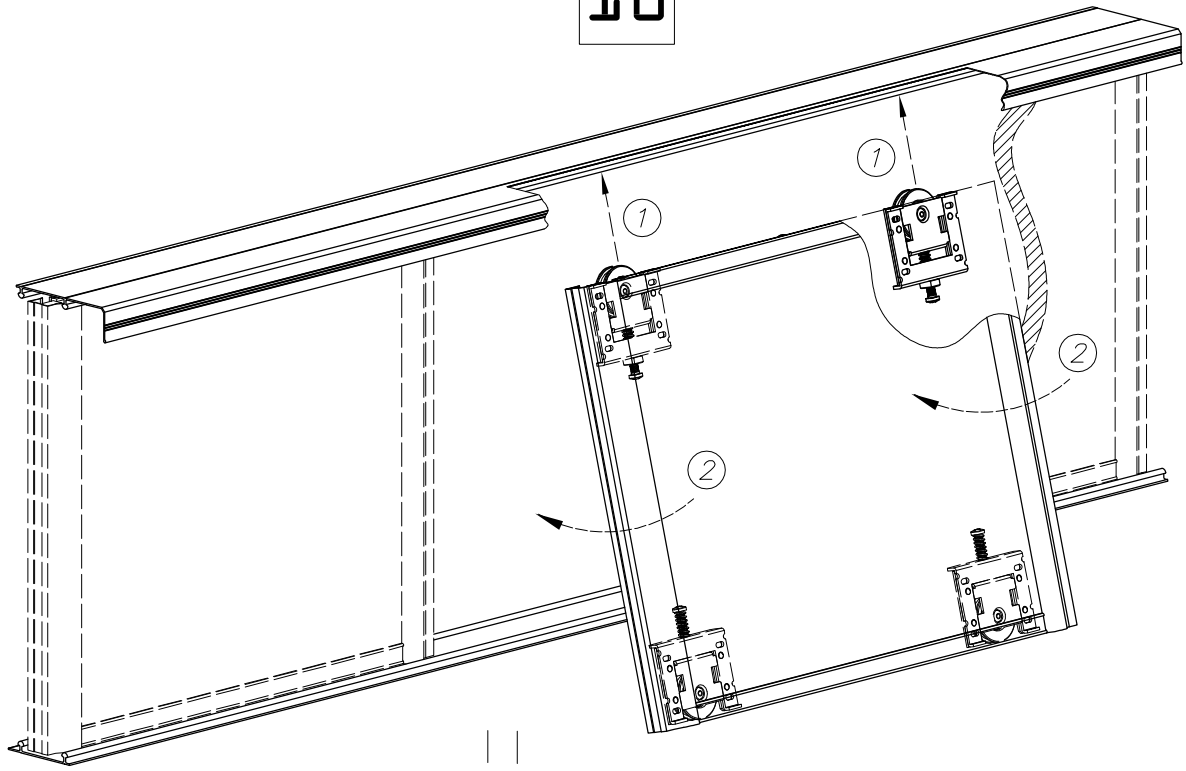


7



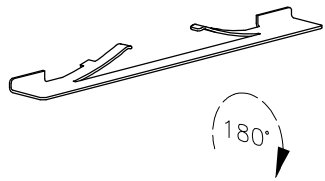
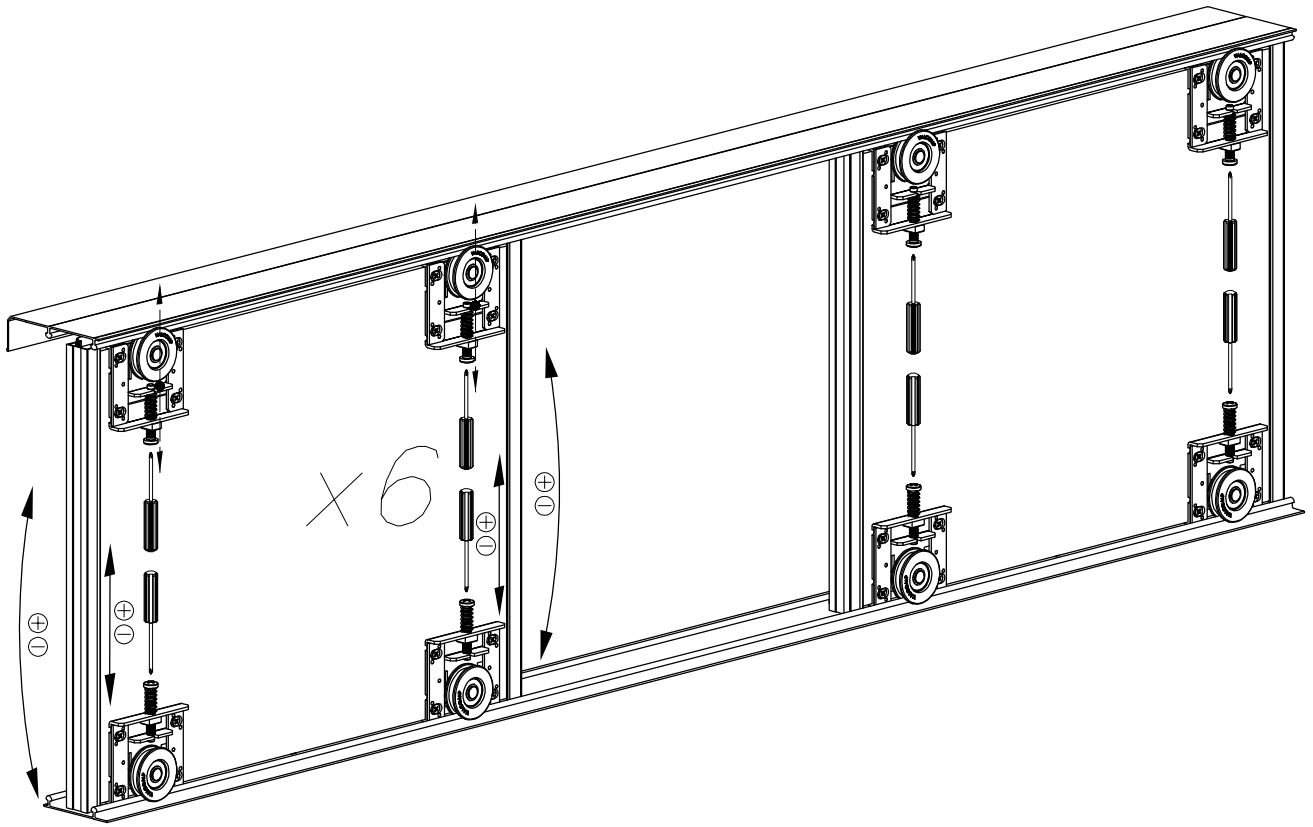




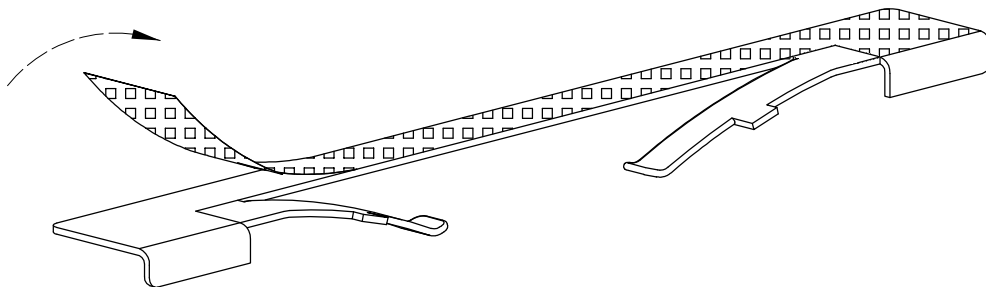




11



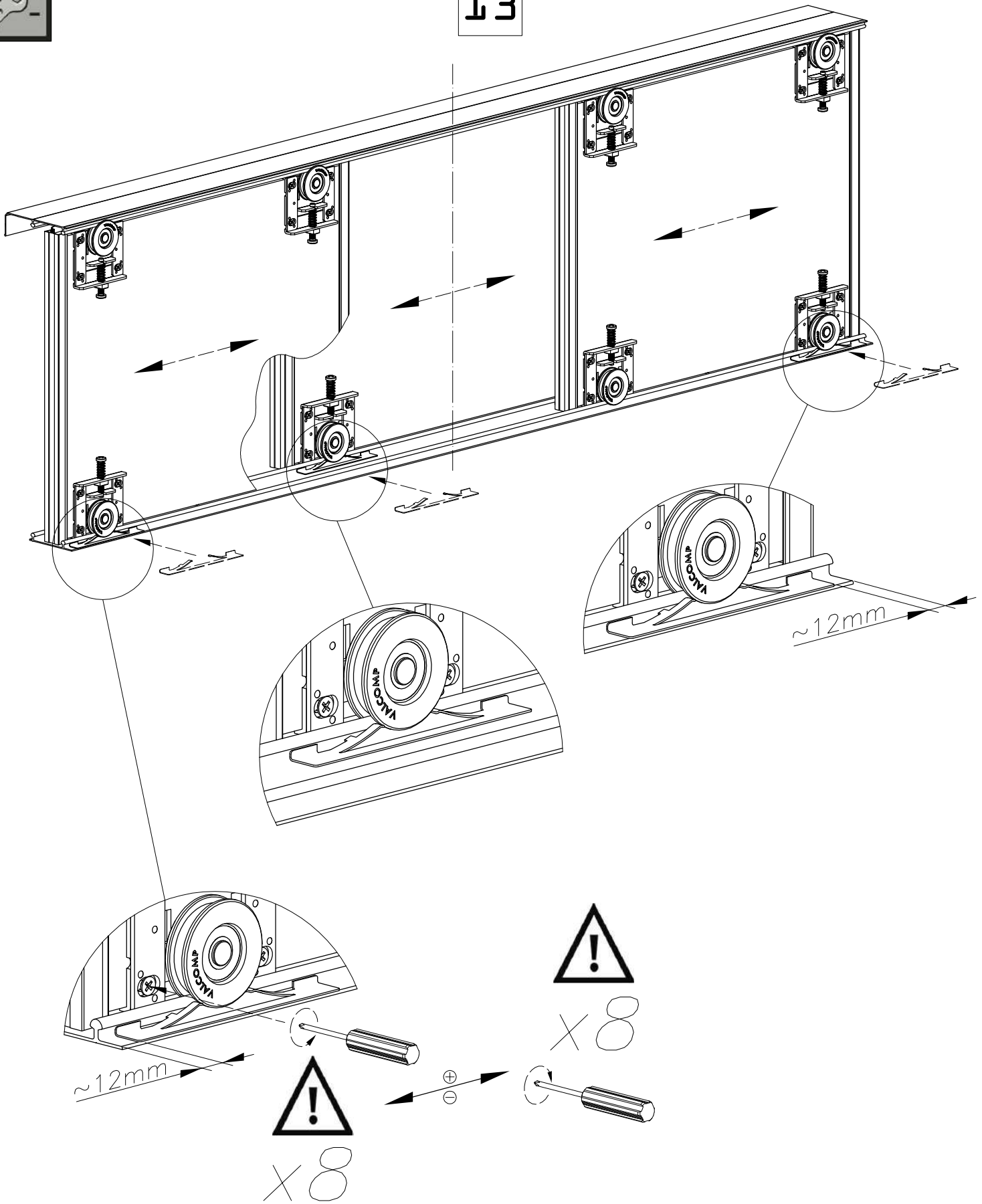
12



x3



13



www.valcomp.pl