



MANTION POLSKA

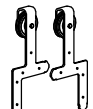
WWW.MANTION.PL

Idun | ROC DESIGN

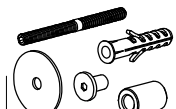
219-250, 219-251, 219-252, 219-253, 219-254
219-324, 219-334, 291-344, 291-354, 219-364



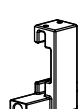
x1



(L)+(R)



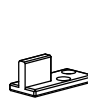
x4/x5/x6



x2



x2

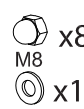


x1



St4x40
Ø6x30

x2



M8
Ø8

x8
x16

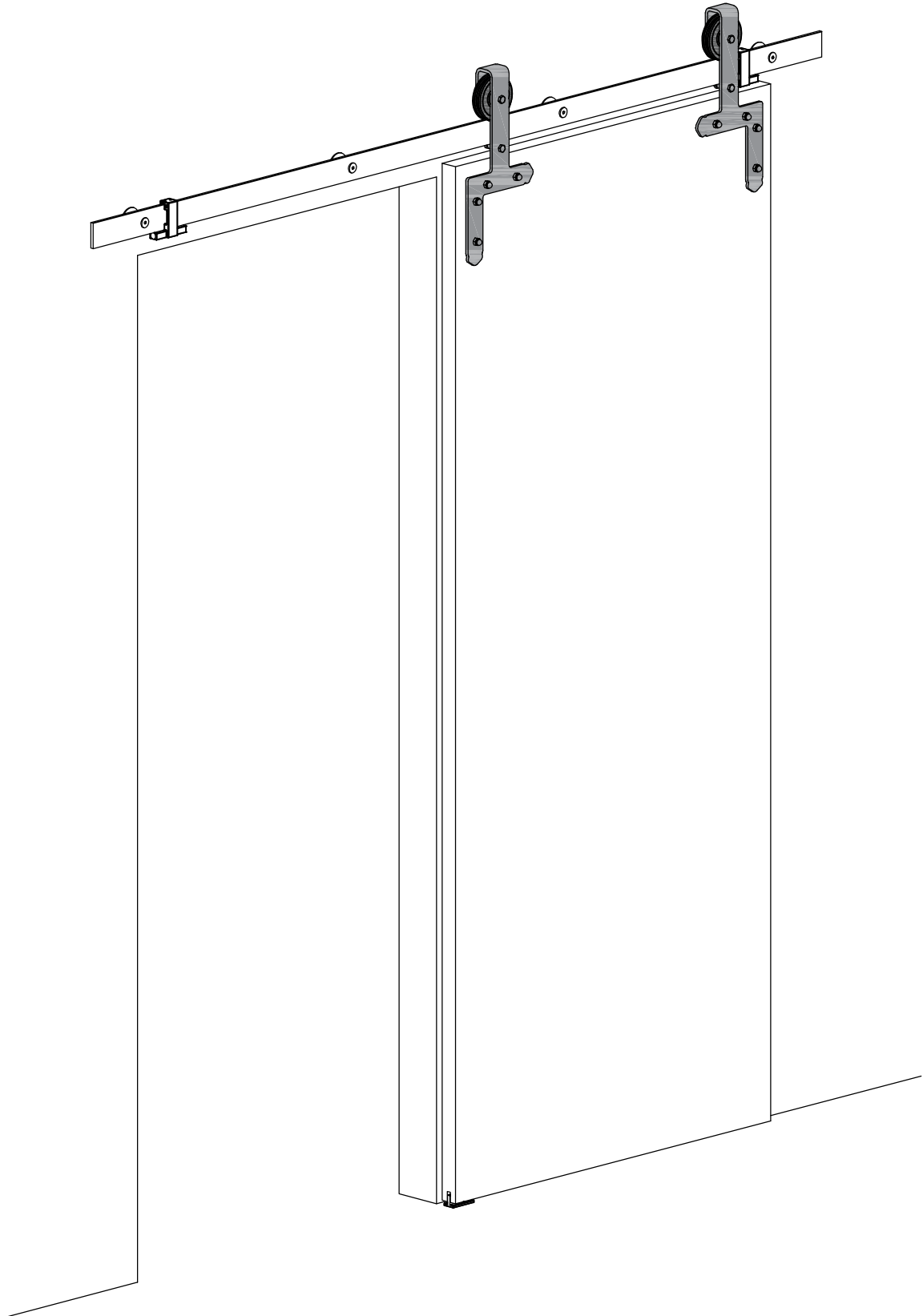


M8x55

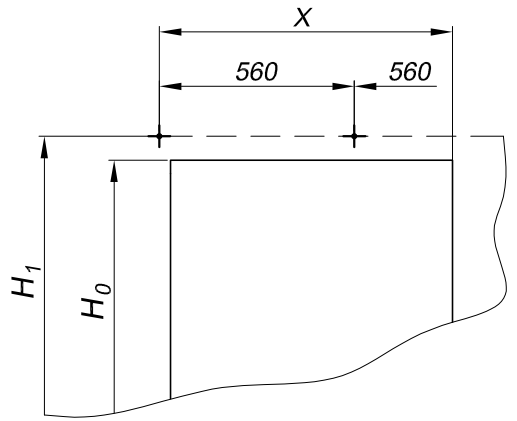
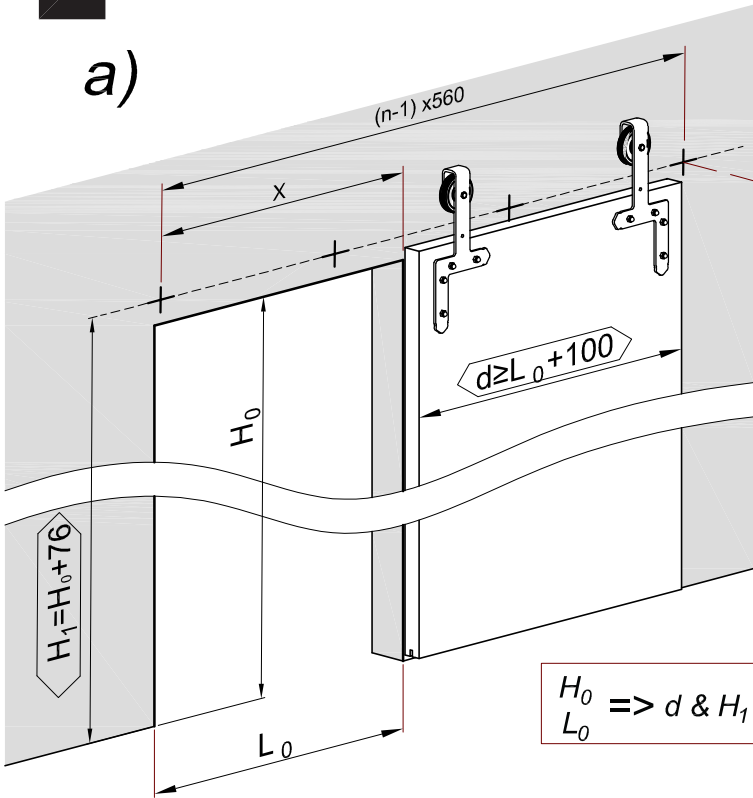
x8



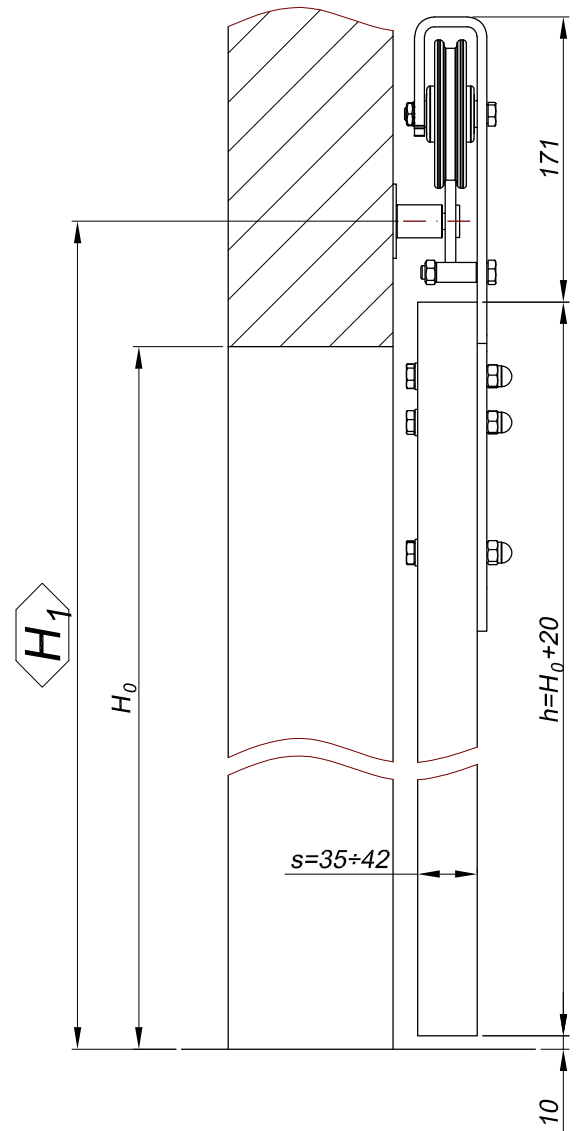
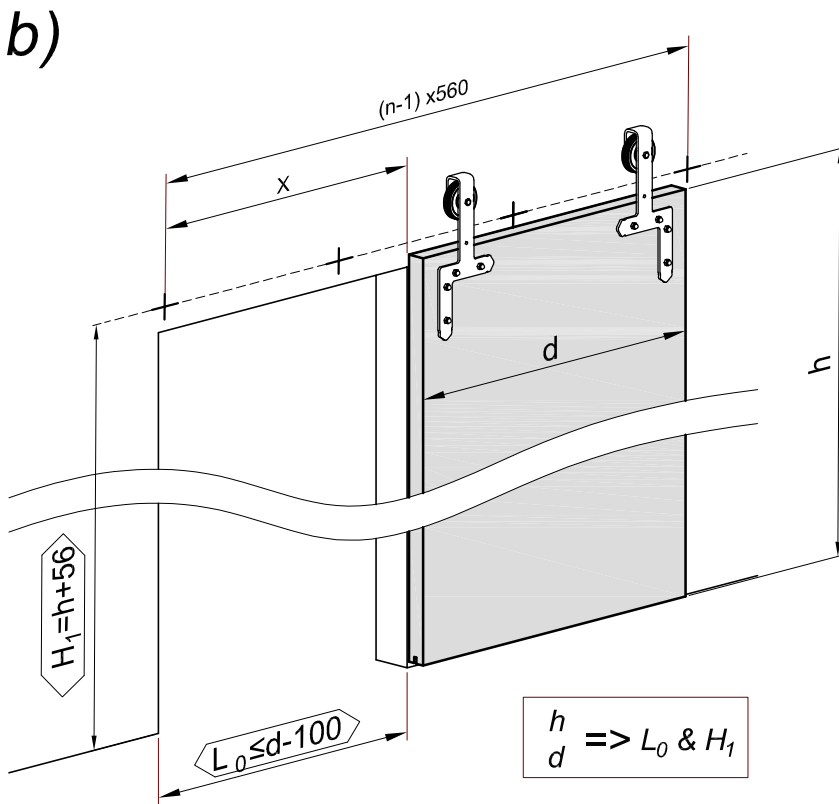
120
KG



1

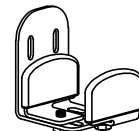
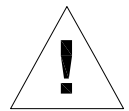


L_{Track} [mm]	1950	2400	3000
X [mm]	840	1120	1400
n	4	5	6



h
 $d \Rightarrow L_0 \& H_1$

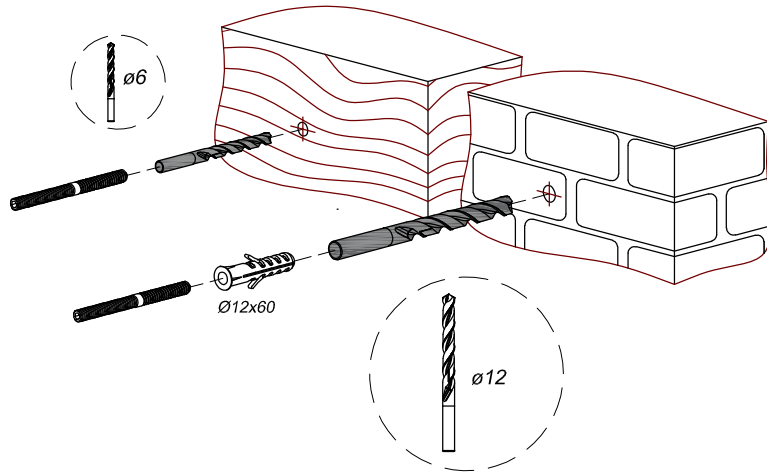
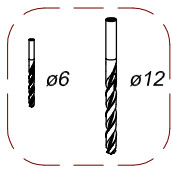
216-110
216-111



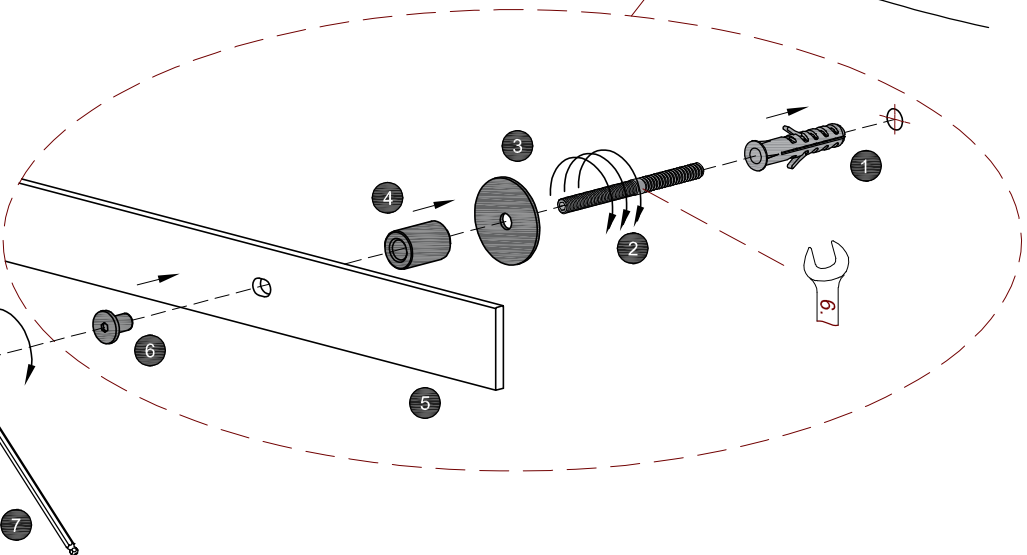
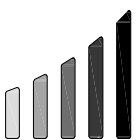
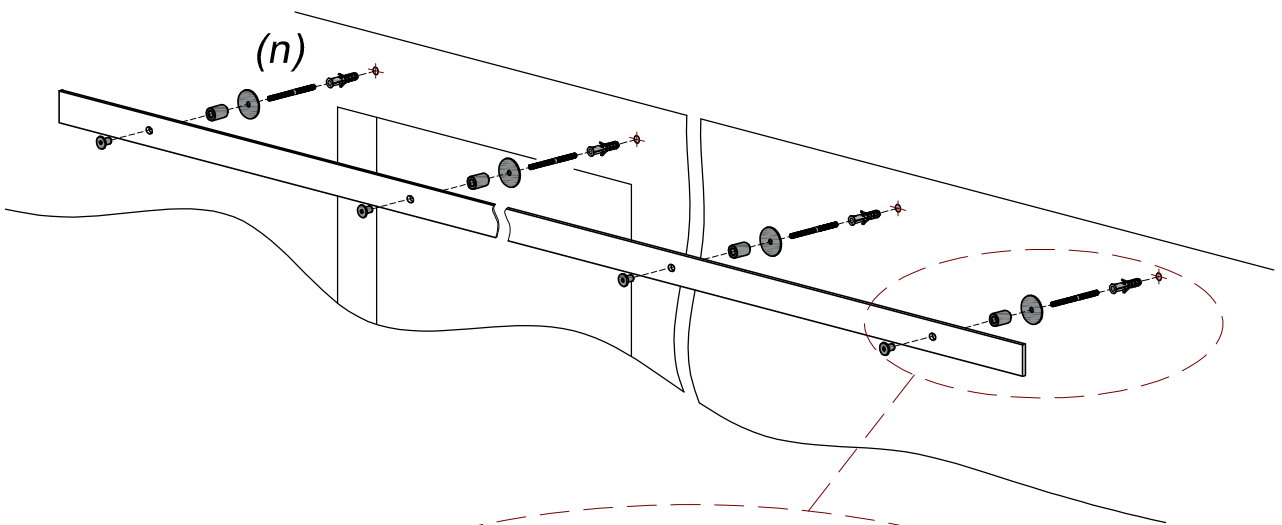
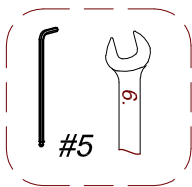
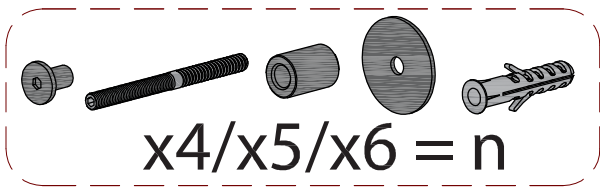
$H_1 = H_0 + 81$
 $H_1 = h + 61$



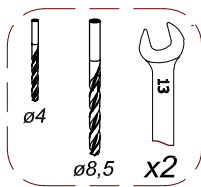
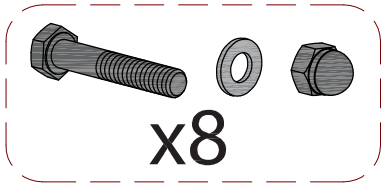
2



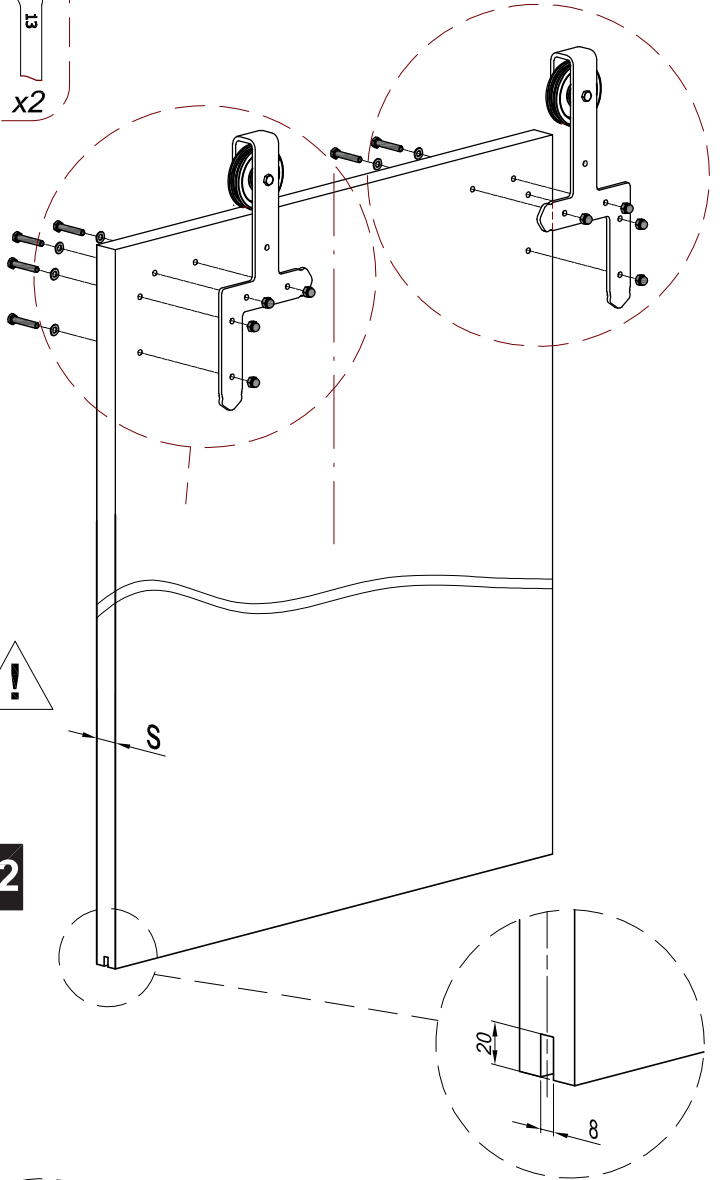
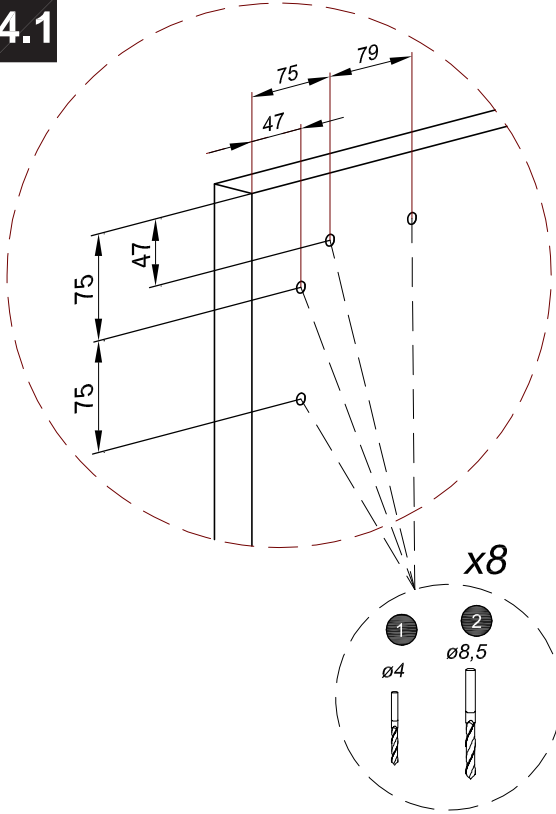
3



4



4.1

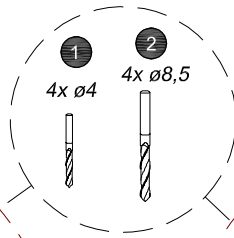


4.2

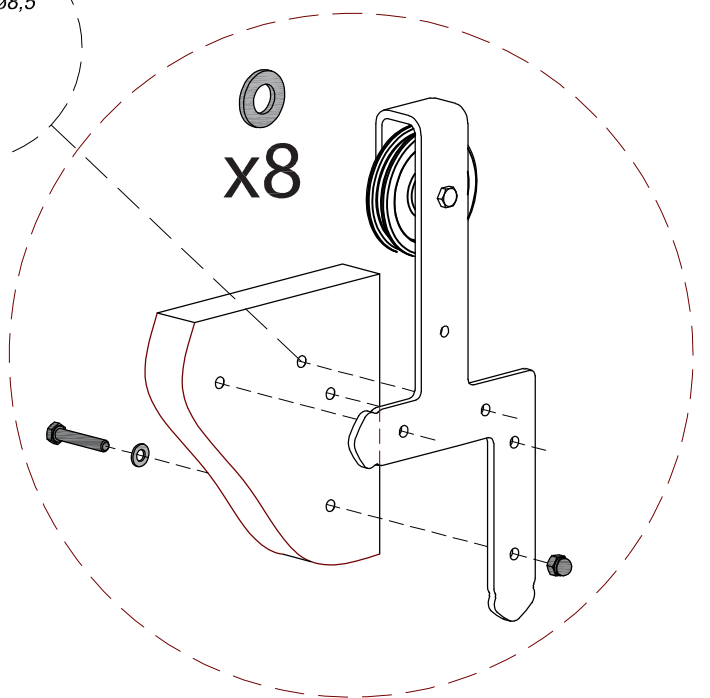
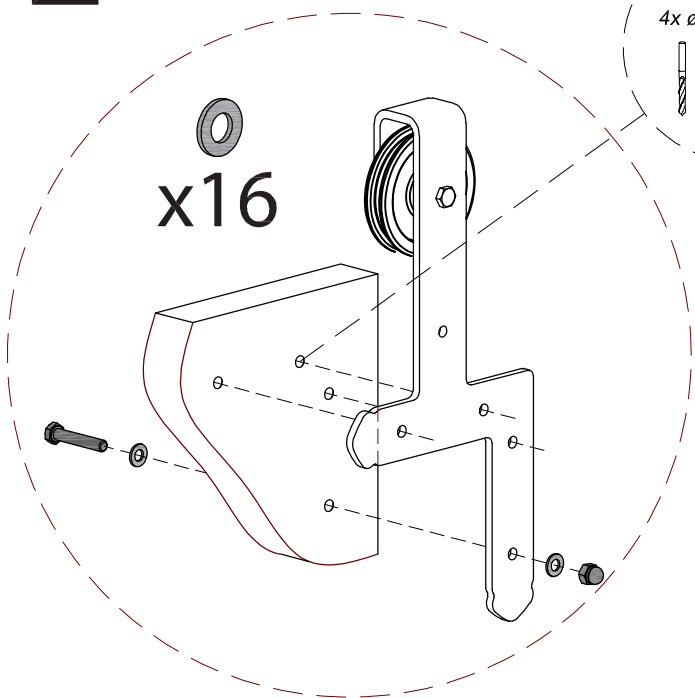
4.3



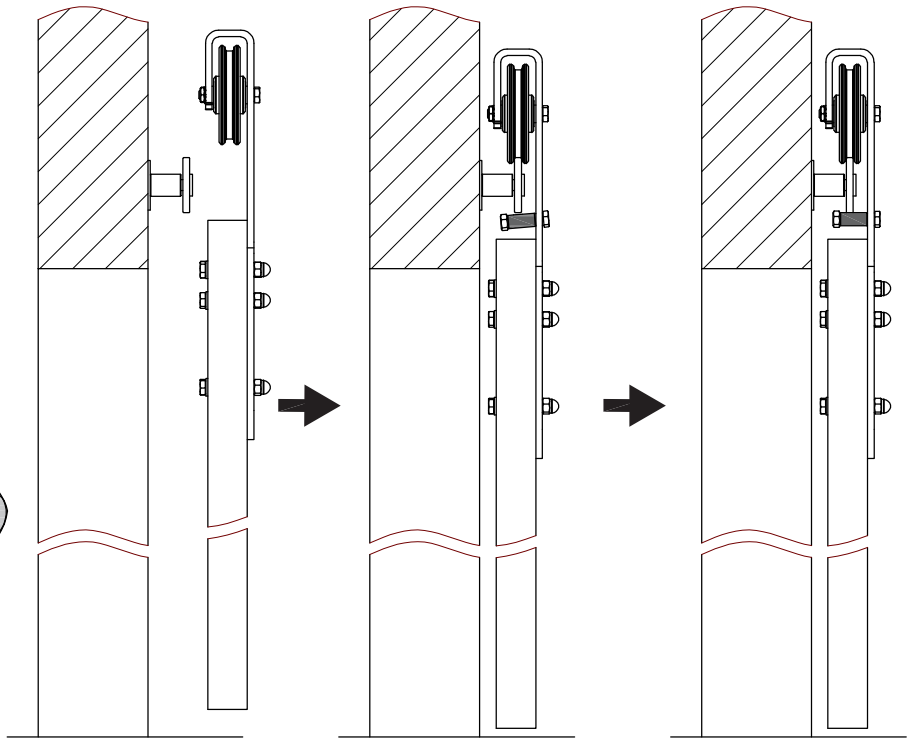
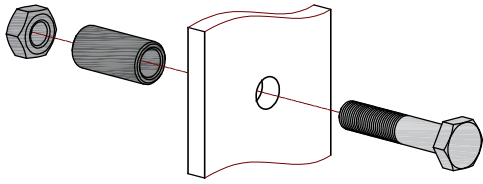
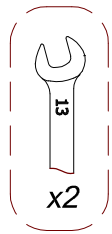
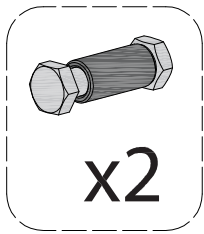
$35 < s < 38$



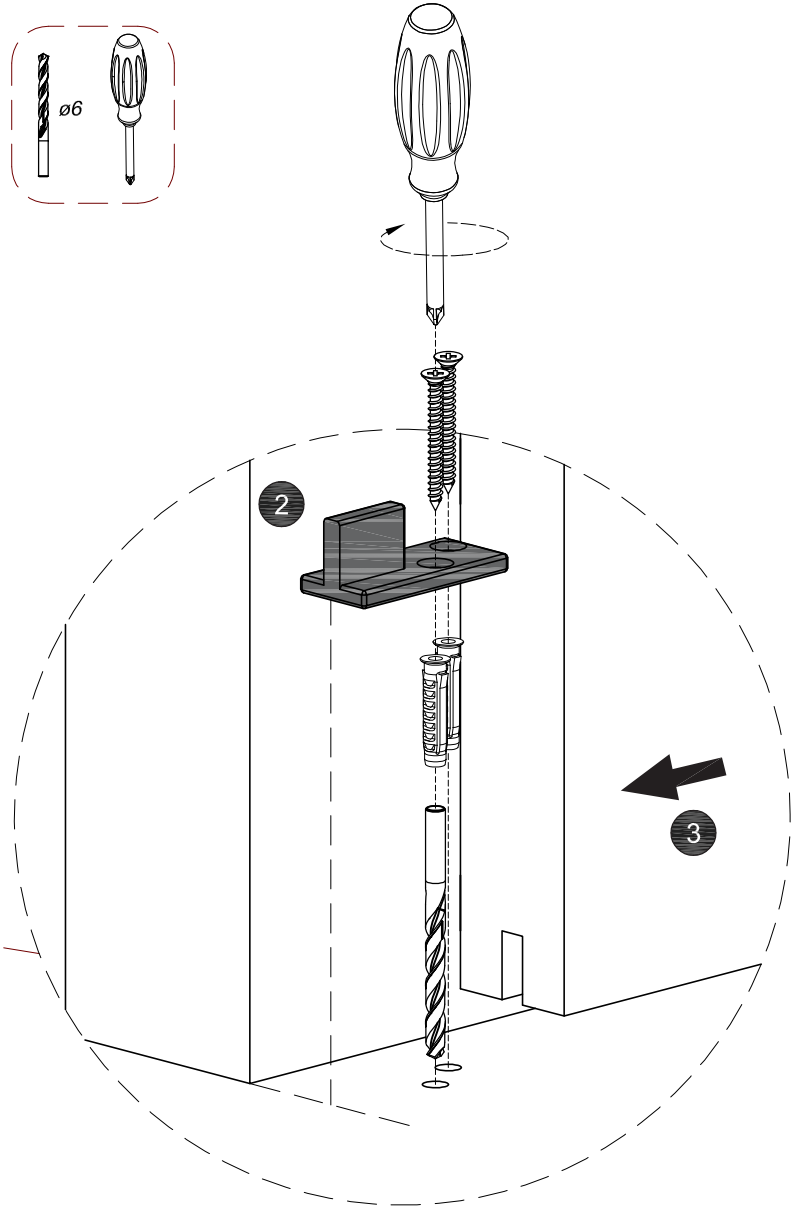
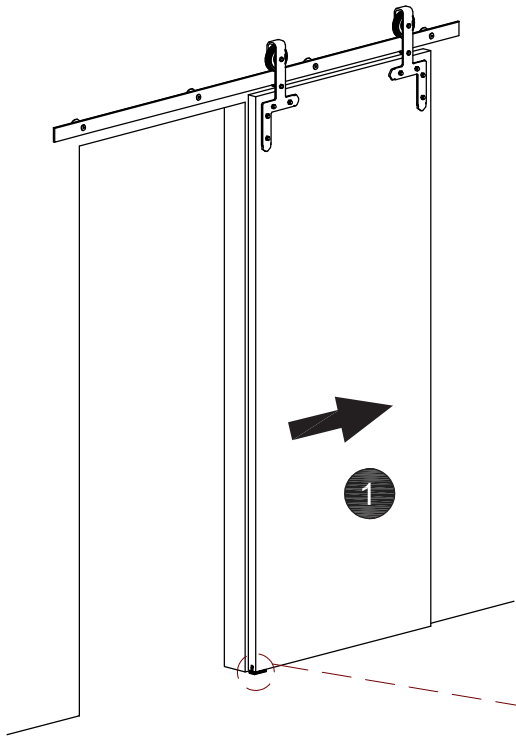
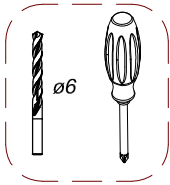
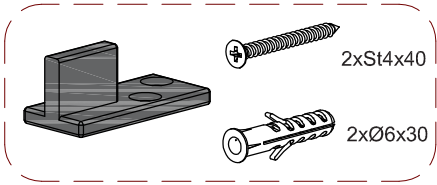
$38 \leq s < 42$



5

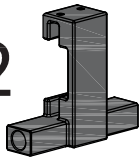


6



7

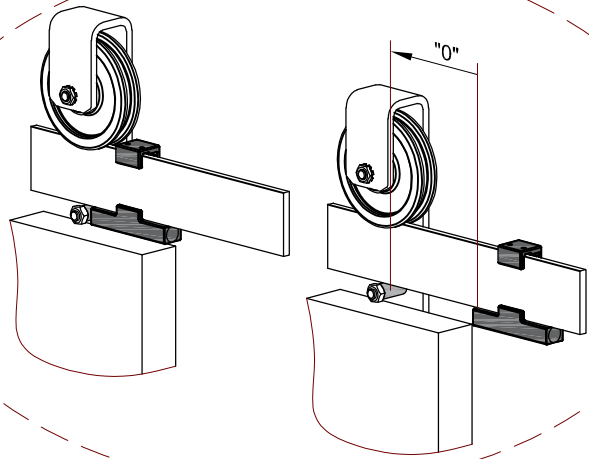
x2



#2



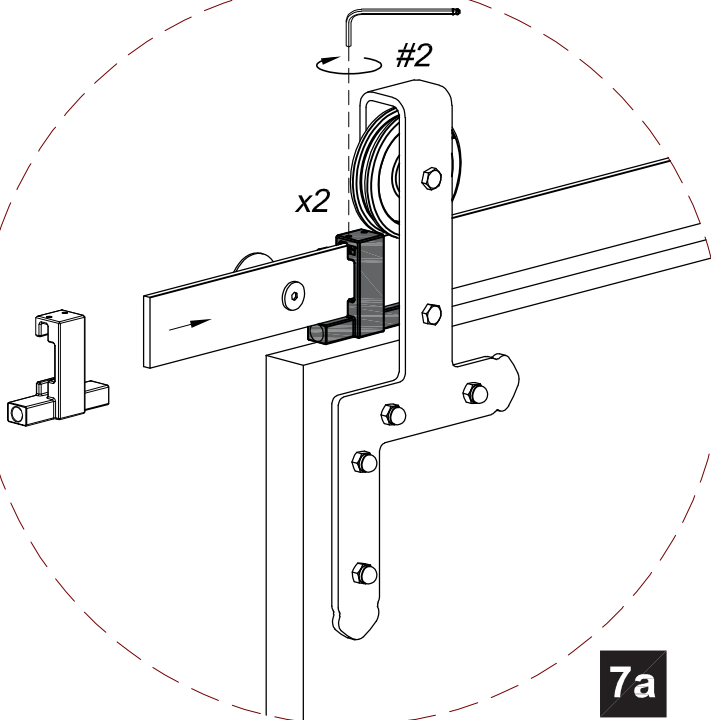
180°



1/0"

#2

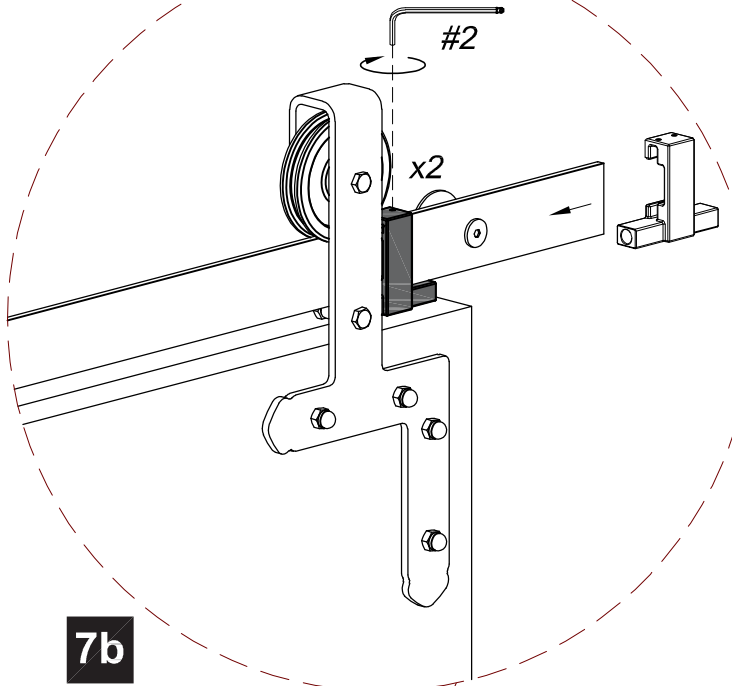
x2



7a

#2

x2



7b

