


MONTREAL

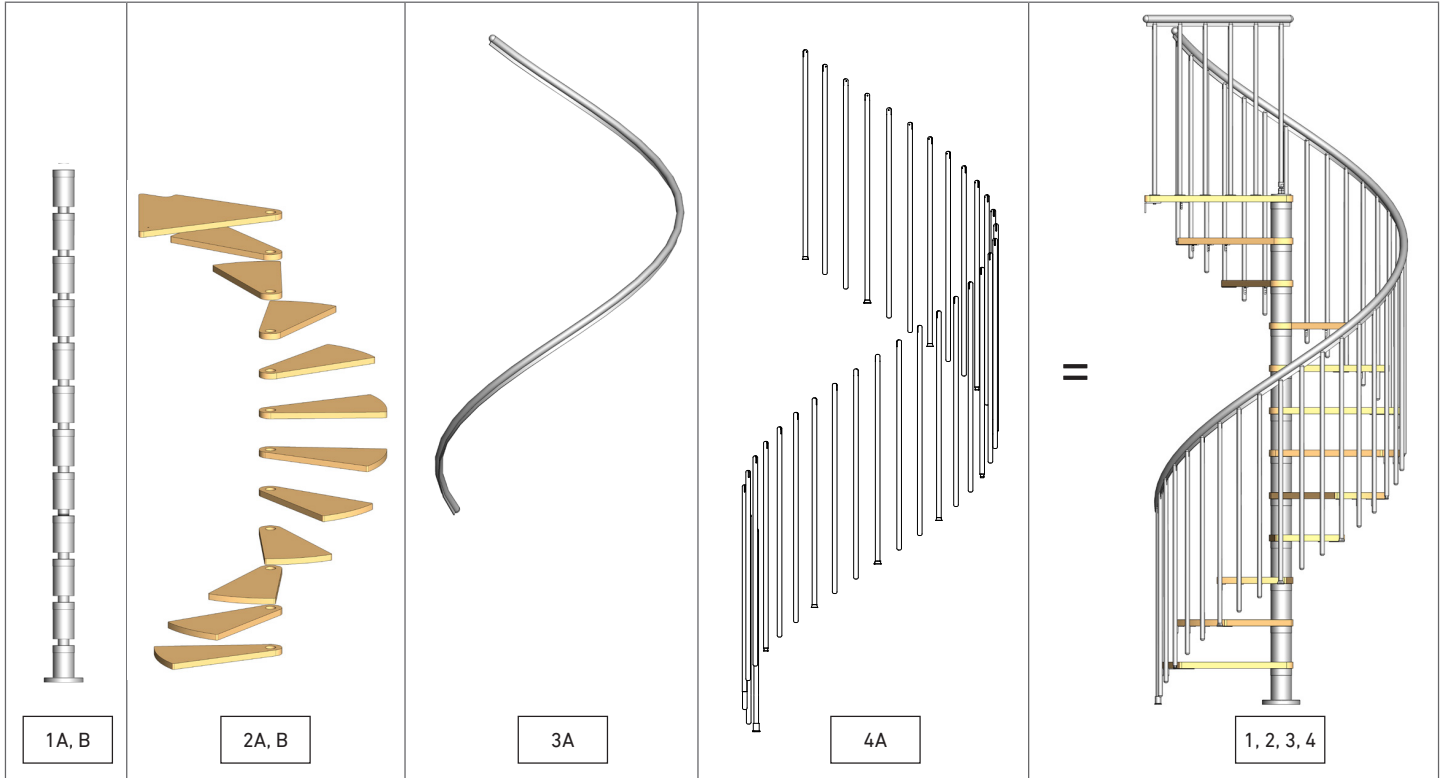
Montréal **1A** → 1A, 1B, 2A, 2B, 3A, 4A ect.

71200 AL

Center Column, grey
Center Konstruktion, 12 Steigungen, grau
Colonne centrale, gris



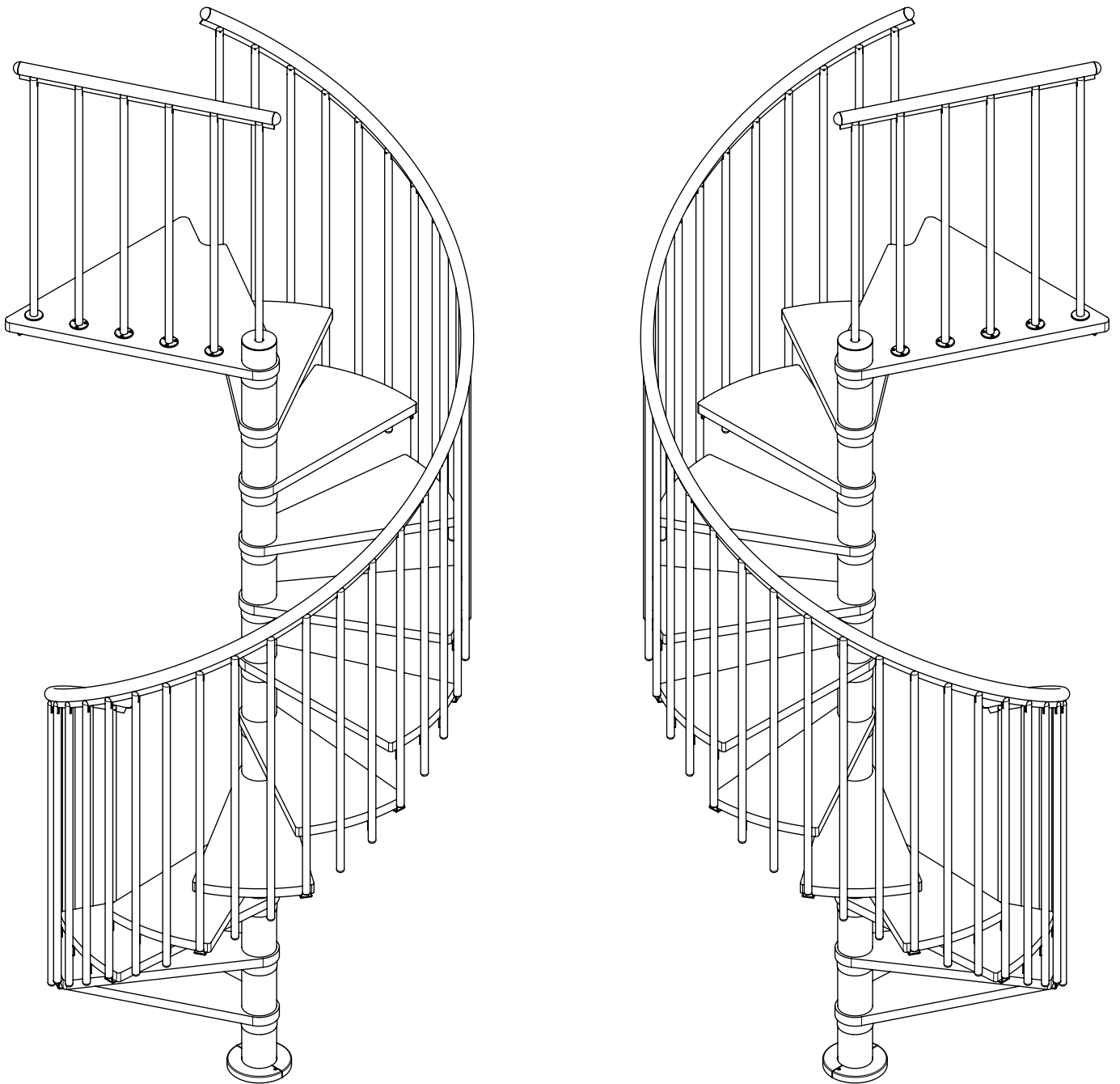
5 708580 712003

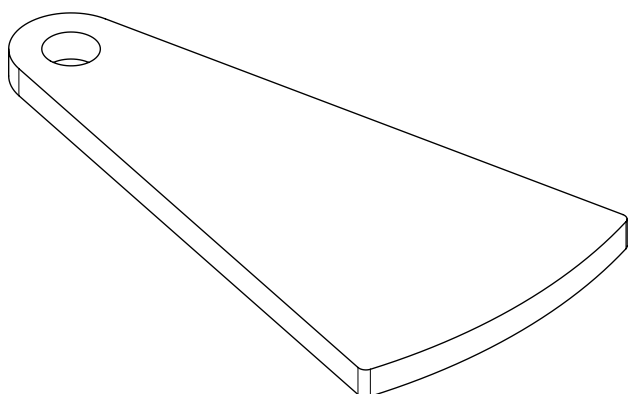

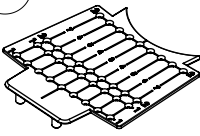
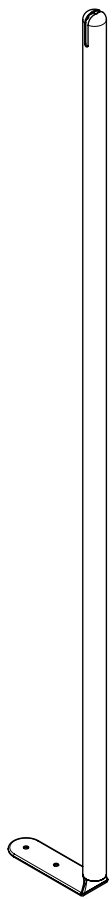

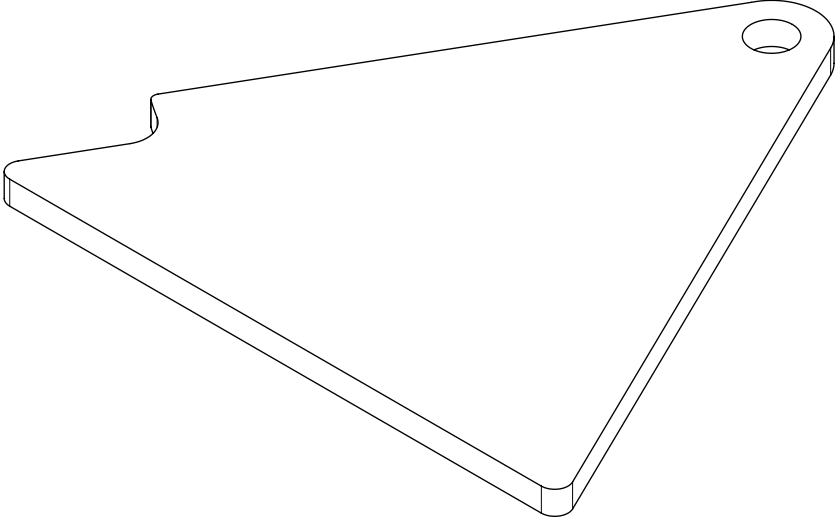




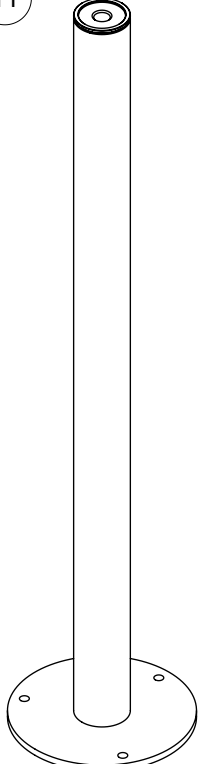
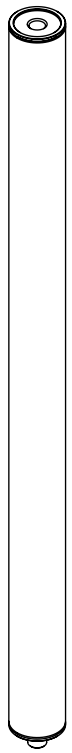




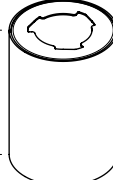
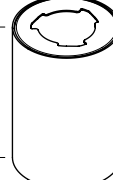
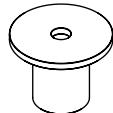
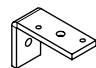
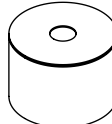
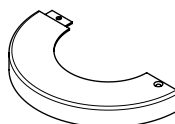


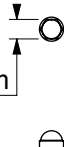
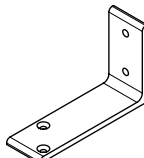
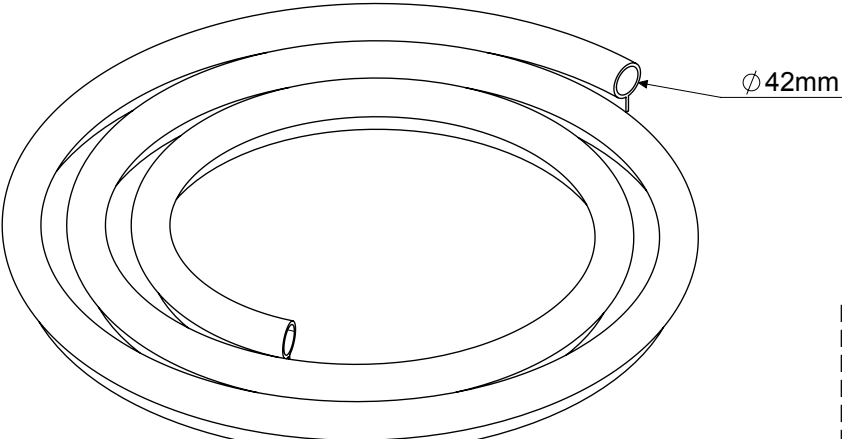
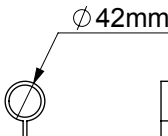
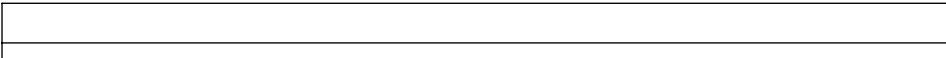

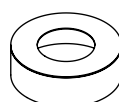
No / Non / Nej =




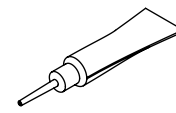









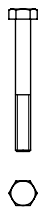



MONTREAL

Classic 3/4/5




<p>1</p> 	<p>3</p>  <p>K1-71231 RAL 9006 K1-71431 RAL 7016 K1-71631 RAL 9016</p> <p>4</p>  <p>K1-71030</p>	<p>5</p> 	<p>6</p>  <p>K1-71220 RAL 9006 K1-71420 RAL 7016 K1-71620 RAL 9016</p>		
<p>2</p> 		<p>7</p>  <p>K1-71230 RAL 9006 K1-71430 RAL 7016 K1-71630 RAL 9016</p>	<p>K1-32224 RAL 9006 K1-71421 RAL 7016 K1-32424 RAL 9016</p>		
<p>8</p>  <p>K2-71260 RAL 9006 K2-71460 RAL 7016 K2-71660 RAL 9016</p>	<p>9</p>  <p>K2-71250 RAL 9006 K2-71450 RAL 7016 K2-71650 RAL 9016</p>	<p>10</p>  <p>K2-71240 RAL 9006 K2-71440 RAL 7016 K2-71640 RAL 9016</p>	<p>11</p>  <p>K2-71010</p>	<p>12</p>  <p>K2-71012</p>	<p>13</p>  <p>K1-71000</p>

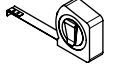
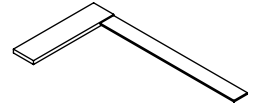
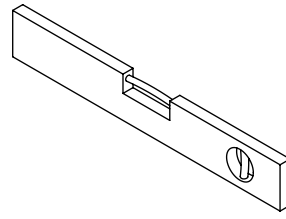
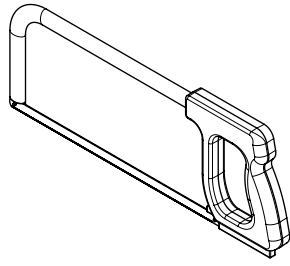
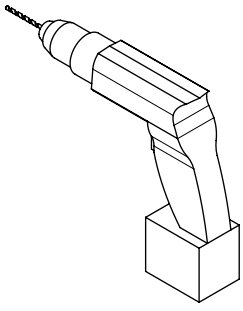
<p>14</p>  <p>K3-07023 M20 x 1170</p>	<p>15</p>  <p>161mm</p> <p>K2-71210 RAL 9006 K2-71410 RAL 7016 K2-71610 RAL 9016</p>	<p>16</p>  <p>169mm</p> <p>K2-71211 RAL 9006 K2-71411 RAL 7016 K2-71611 RAL 9016</p>	<p>17</p>  <p>K2-71005</p>	<p>18</p>  <p>K1-71201 RAL 9006 K1-71401 RAL 7016 K1-71601 RAL 9016</p>	<p>19</p>  <p>K2-71215 RAL 9006 K2-71415 RAL 7016 K2-71615 RAL 9016</p>
<p>20</p>  <p>K2-71200 RAL 9006 K2-71400 RAL 7016 K2-71600 RAL 9016</p>	<p>21</p>  <p>Ø42mm</p> <p>K1-71290 RAL 9006 K1-39010 RAL 7016 K1-29486 RAL 9016</p>	<p>22</p>  <p>Ø42mm</p> <p>K1-39000</p>	<p>23</p>  <p>13mm</p> <p>K1-01013 RAL 9006 K1-01023 RAL 7016 K1-01003 RAL 9016</p>	<p>24</p>  <p>K1-19310 RAL 9006 K1-71402 RAL 7016 K1-71602 RAL 9016</p>	<p>25</p>  <p>Ø42mm</p> <p>K1-71295 5 m - RAL 9006 K1-71297 7 m - RAL 9006 K1-71495 5 m - RAL 7016 K1-71497 7 m - RAL 7016 K1-71695 5 m - RAL 9016 K1-71697 7 m - RAL 9016</p>
<p>26</p>  <p>Ø42mm</p>  <p>K1-71291 1,00 m - RAL 9006 K1-71299 1,15 m - RAL 9006 K1-39110 1,00 m - RAL 7016 K1-71499 1,15 m - RAL 7016 K1-29410 1,00 m - RAL 9016 K1-71699 1,15 m - RAL 9016</p>	<p>27</p>  <p>K1-71205 RAL 9006 K1-71405 RAL 7016 K1-71605 RAL 9016</p>				
<p>30</p>  <p>K1-71219 RAL 9006 K1-71419 RAL 7016 K1-71619 RAL 9016</p>					

<p>35</p>  <p>K1-71270 RAL 9006 K1-71470 RAL 7016 K1-71670 RAL 9016</p>	<p>50</p>  <p>K3-06022 RAL 9006 K3-10226 RAL 7016 K3-10126 RAL 9016 Ø5 x 35</p>	<p>51</p>  <p>K3-06199 RAL 9006 K3-10239 RAL 7016 K3-10139 RAL 9016 M5 x 20</p>	<p>52</p>  <p>K3-90001</p>	<p>53</p>  <p>K3-04028 Ø8,4</p>	<p>54</p>  <p>K3-08004 Ø10 x 60</p>	
	<p>55</p>  <p>K3-06015 M8 x 70</p>	<p>56</p>  <p>K3-03024 M20</p>	<p>57</p>  <p>K3-04020 Ø20</p>	<p>58</p>  <p>K3-08002 Ø8</p>	<p>59</p>  <p>K3-02131 RAL 9006 K3-10231 RAL 7016 K3-10131 RAL 9016 M4 x 10</p>	
	<p>60</p>  <p>K3-05013 RAL 9006 K3-10233 RAL 7016 K3-10133 RAL 9016 M6 x 6</p>	<p>61</p>  <p>K3-05011 RAL 9006 K3-10230 RAL 7016 K3-10130 RAL 9016 M5 x 20</p>	<p>62</p>  <p>K3-02081 M8 x 70</p>	<p>63</p>  <p>K3-03014 M20</p>	<p>69</p>  <p>R1-63272 Ø6 x 25</p>	
	<p>71</p>  <p>K3-06016 Ø6 x 40</p>					

40 **OPTION**



71091-AL



Torx 25



2,5

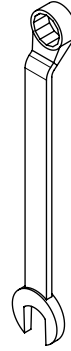


3



4

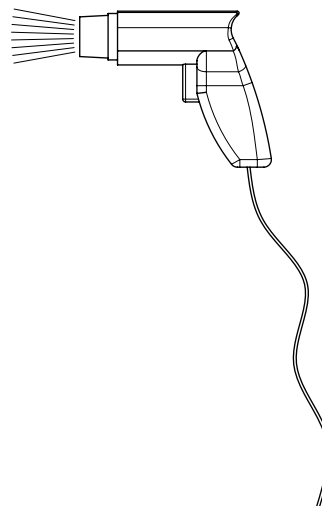
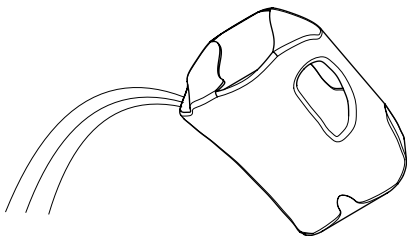
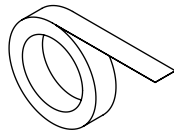
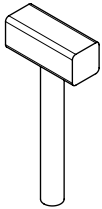
x 2

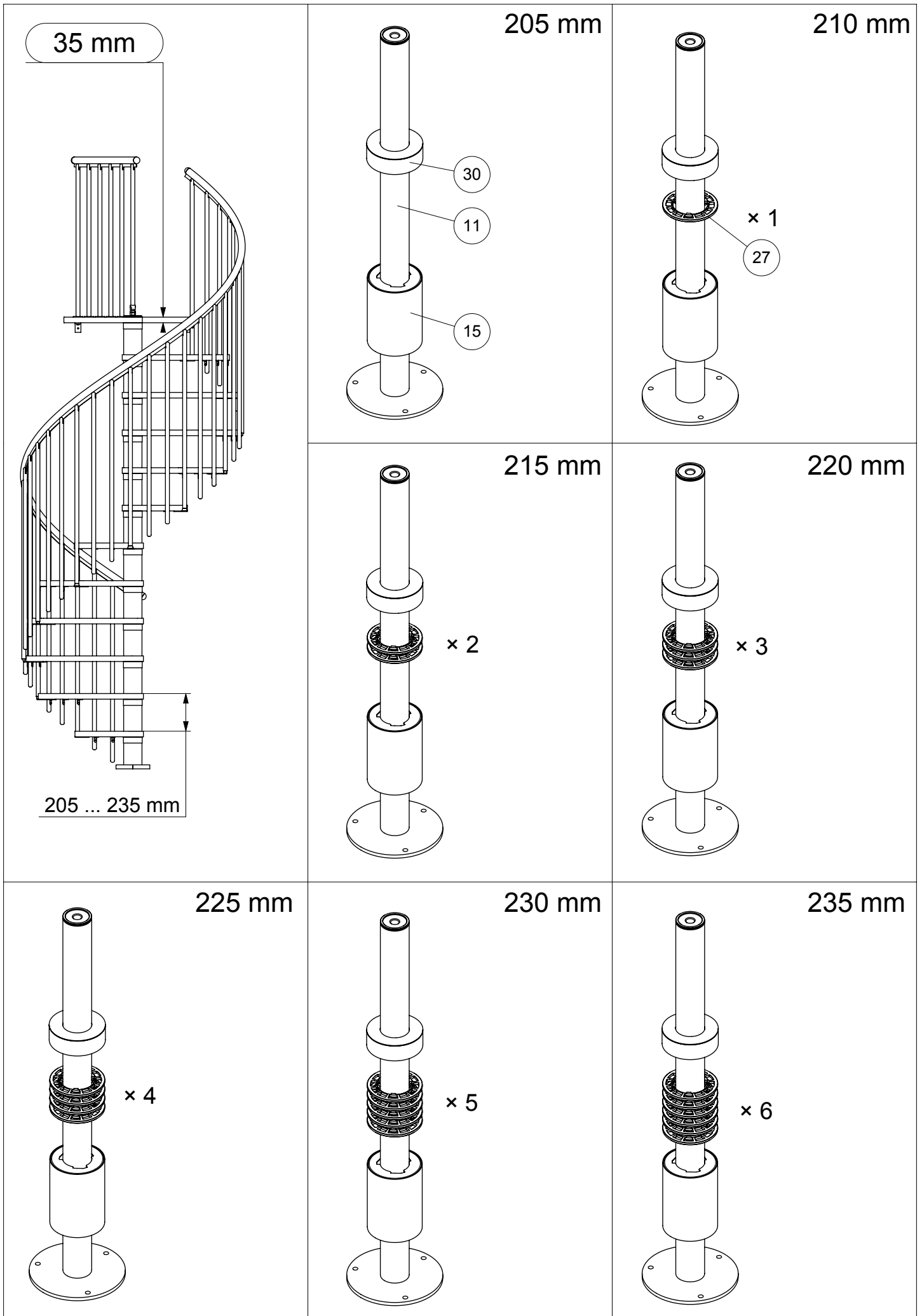


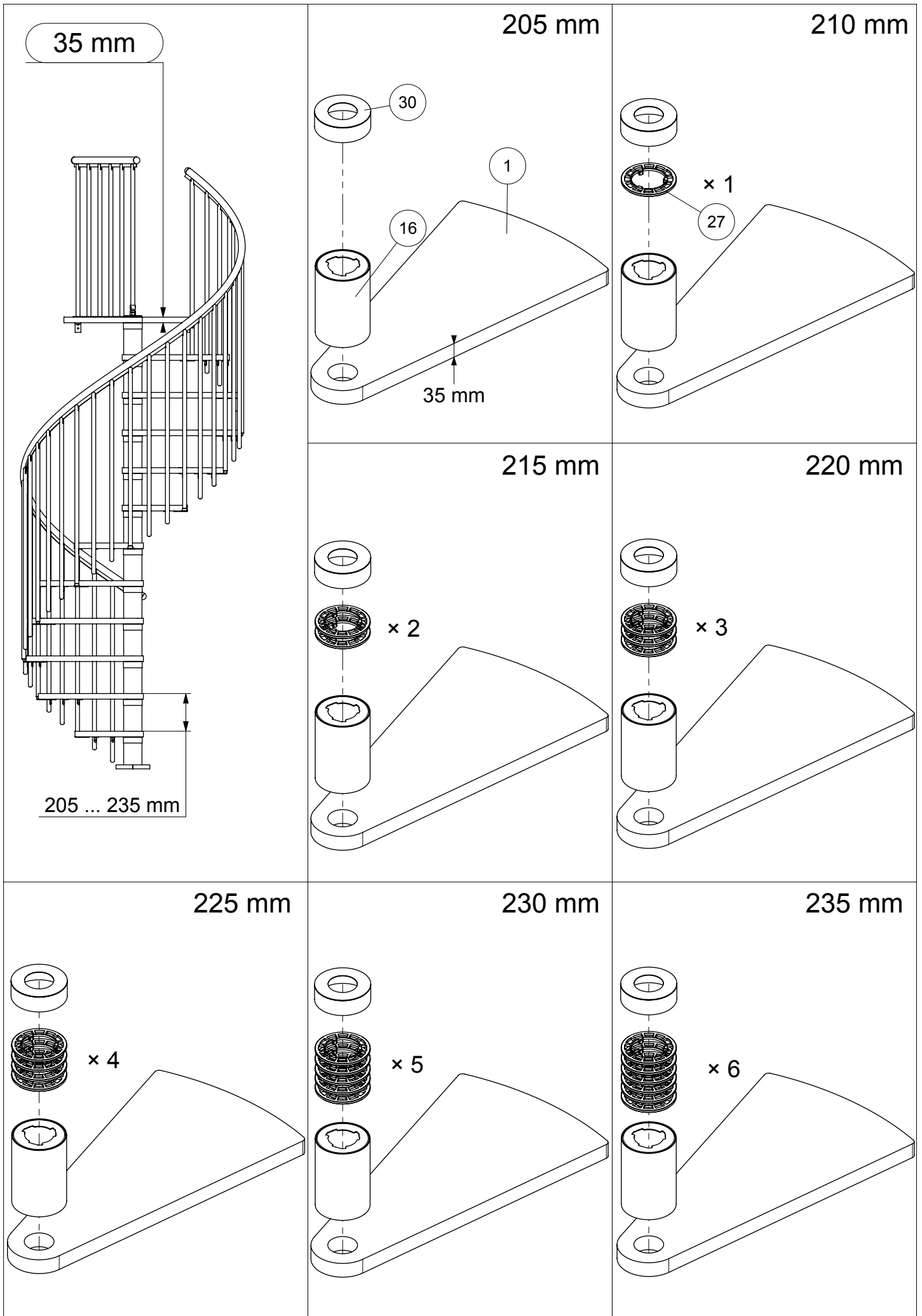
30



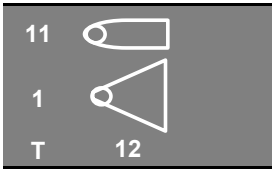
13



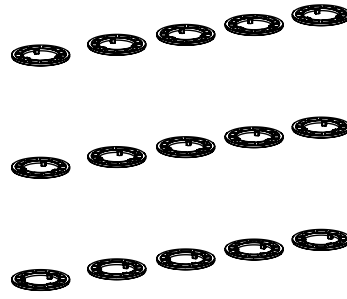




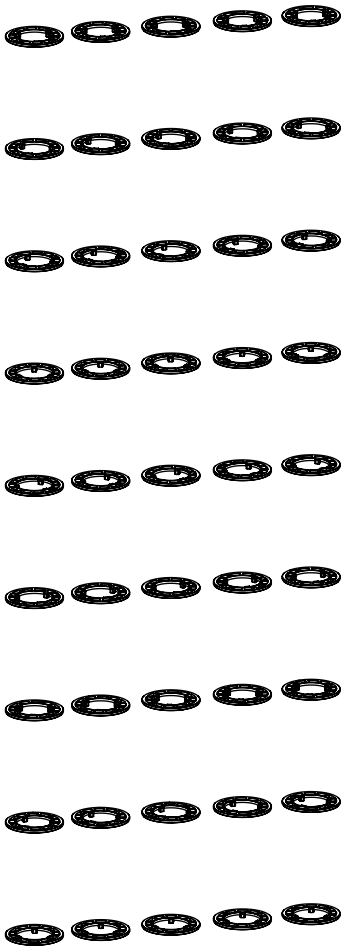
35 mm



N
0 ... 6 st (pcs)



N
0 ... 6 st (pcs)



N x T

5 st (pcs) x 12
= 60 st (pcs)

P
+1
st (pcs)



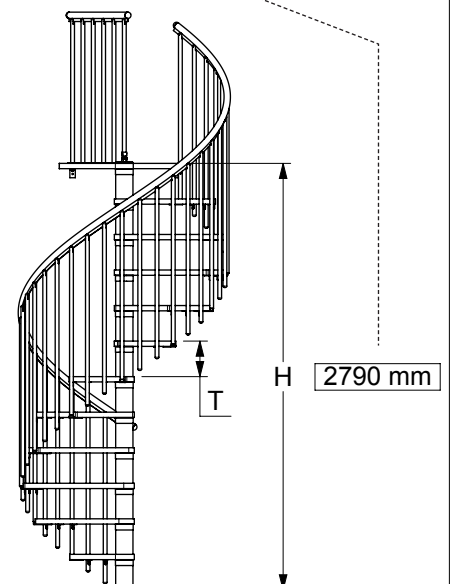
P

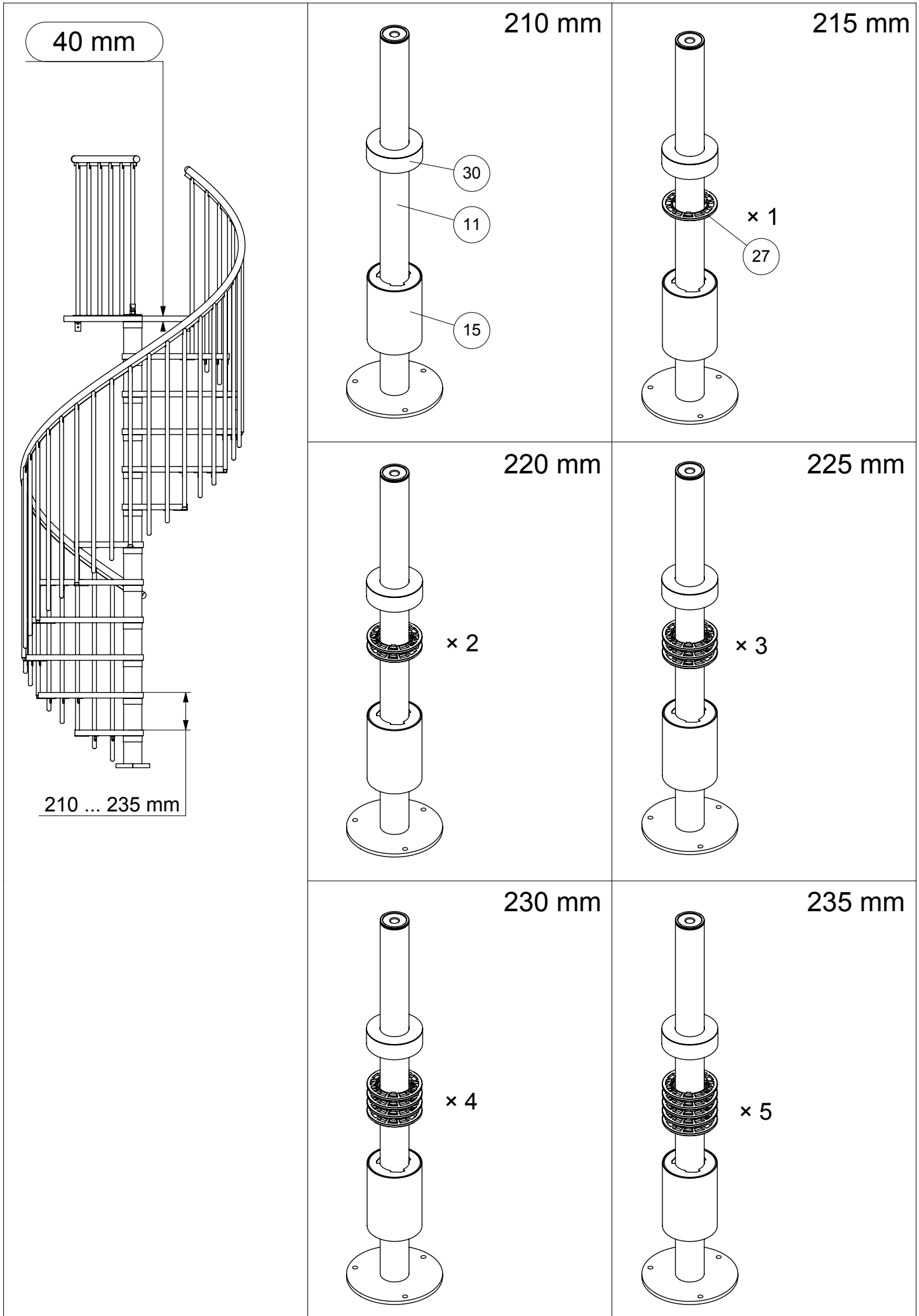
+6 st (pcs)

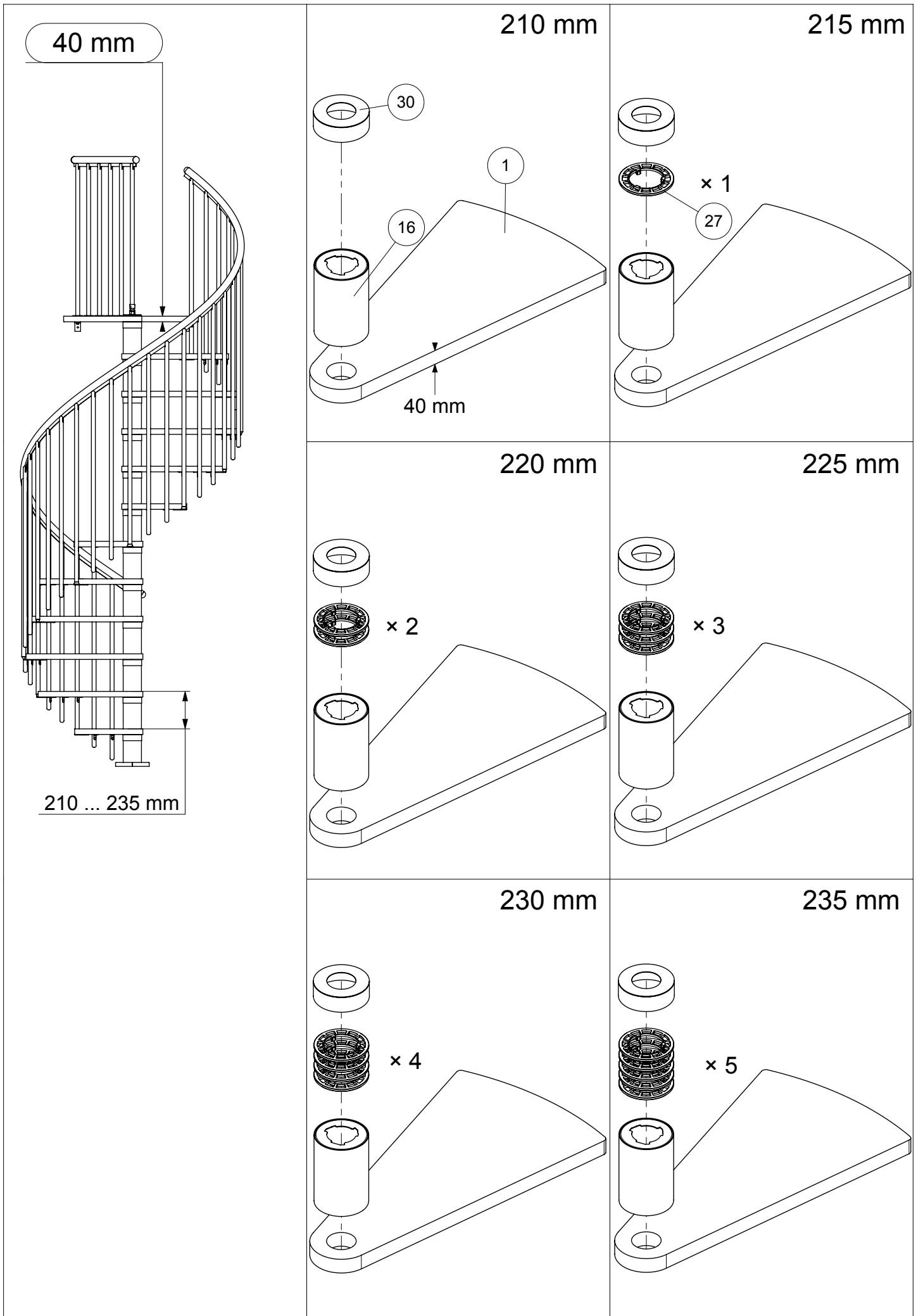
35 mm

2780	5	4
2785	5	5
2790	5	6
2795	5	7
2800	5	8
2805	5	9
2810	5	10
2815	5	11

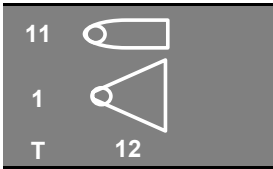
2780	5	4
2785	5	5
2790	5	6
2795	5	7
2800	5	8
2805	5	9
2810	5	10
2815	5	11



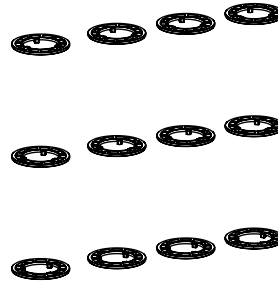




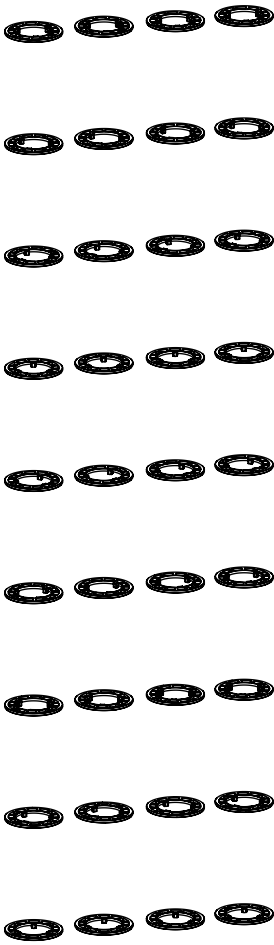
40 mm



N
0 ... 5 st (pcs)



N
0 ... 5 st (pcs)



P
+1
st (pcs)



N × T

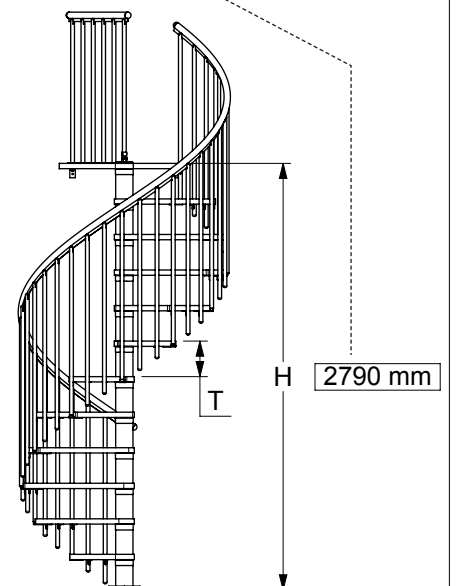
4 st (pcs) × 12
= 48 st (pcs)

P

+ 6 st (pcs)

2780	4	4
2785	4	5
2790	4	6
2795	4	7
2800	4	8
2805	4	9
2810	4	10
2815	4	11

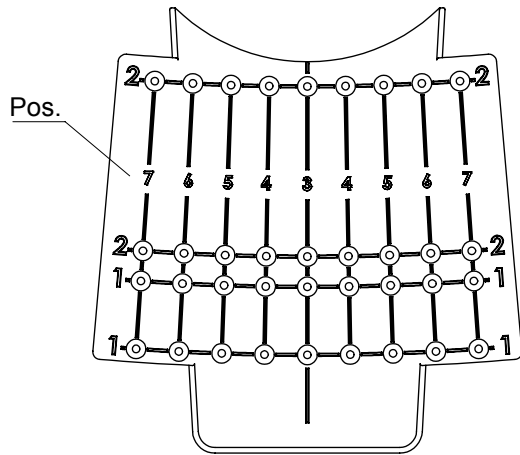
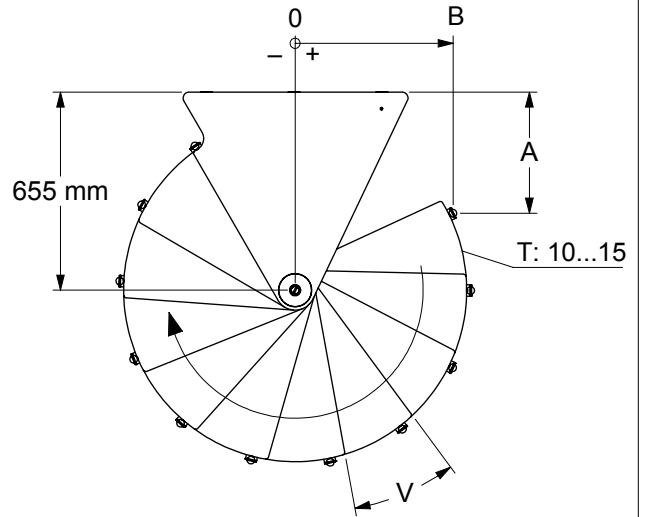
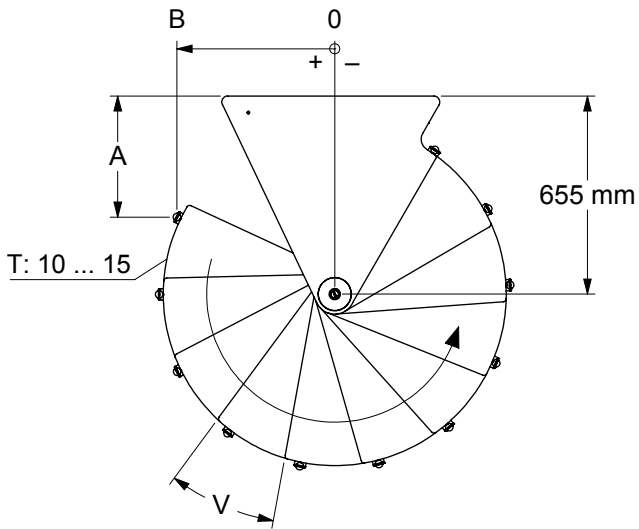
2780	4	4
2785	4	5
2790	4	6
2795	4	7
2800	4	8
2805	4	9
2810	4	10
2815	4	11



40 mm

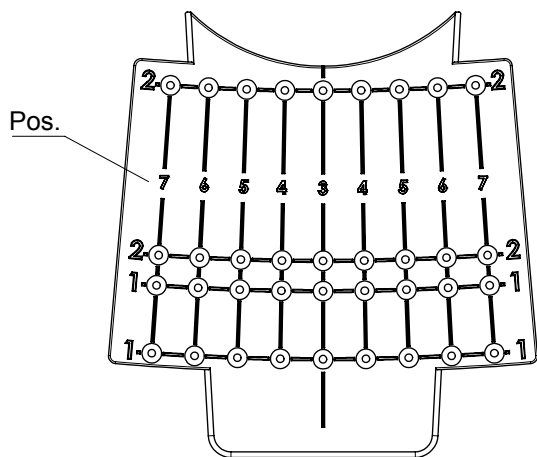
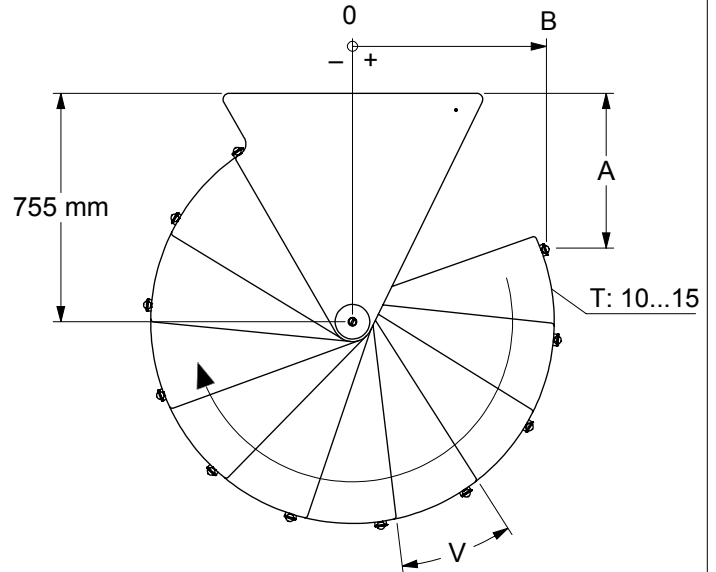
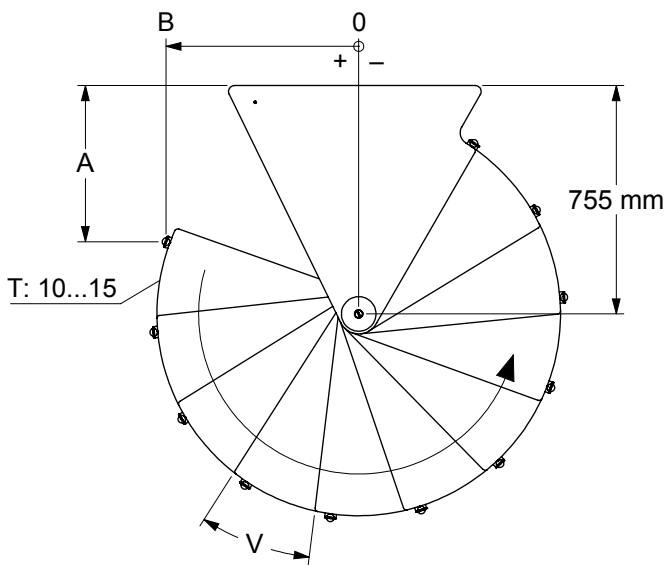
9			10			11			12			13			14			15																	
1			1			1			1			1			1			1																	
T 10			T 11			T 12			T 13			T 14			T 15			T 15																	
H	N	P	H	N	P	H	N	P	H	N	P	H	N	P	H	N	P	H	N	P	H	N	P	H	N	P									
mm	st	pcs	mm	st	pcs	mm	st	pcs	mm	st	pcs	mm	st	pcs	mm	st	pcs	mm	st	pcs	mm	st	pcs	mm	st	pcs									
2100	0	0	2255	3	1	2310	0	0	2480	3	1	2520	0	0	2705	3	1	2730	0	0	2930	3	1	2940	0	0	3155	3	1	3150	0	0	3380	3	1
2105	0	1	2260	3	2	2315	0	1	2485	3	2	2525	0	1	2710	3	2	2735	0	1	2935	3	2	2945	0	1	3160	3	2	3155	0	1	3385	3	2
2110	0	2	2265	3	3	2320	0	2	2490	3	3	2530	0	2	2715	3	3	2740	0	2	2940	3	3	2950	0	2	3165	3	3	3160	0	2	3390	3	3
2115	0	3	2270	3	4	2325	0	3	2495	3	4	2535	0	3	2720	3	4	2745	0	3	2945	3	4	2955	0	3	3170	3	4	3165	0	3	3395	3	4
2120	0	4	2275	3	5	2330	0	4	2500	3	5	2540	0	4	2725	3	5	2750	0	4	2950	3	5	2960	0	4	3175	3	5	3170	0	4	3400	3	5
2125	0	5	2280	3	6	2335	0	5	2505	3	6	2545	0	5	2730	3	6	2755	0	5	2955	3	6	2965	0	5	3180	3	6	3175	0	5	3405	3	6
2130	0	6	2285	3	7	2340	0	6	2510	3	7	2550	0	6	2735	3	7	2760	0	6	2960	3	7	2970	0	6	3185	3	7	3180	0	6	3410	3	7
2135	0	7	2290	3	8	2345	0	7	2515	3	8	2555	0	7	2740	3	8	2765	0	7	2965	3	8	2975	0	7	3190	3	8	3185	0	7	3415	3	8
2140	0	8	2295	3	9	2350	0	8	2520	3	9	2560	0	8	2745	3	9	2770	0	8	2970	3	9	2980	0	8	3195	3	9	3190	0	8	3420	3	9
2145	0	9	2300	4	0	2355	0	9	2525	3	10	2565	0	9	2750	3	10	2775	0	9	2975	3	10	2985	0	9	3200	3	10	3195	0	9	3425	3	10
2150	1	0	2305	4	1	2360	0	10	2530	4	0	2570	0	10	2755	3	11	2780	0	10	2980	3	11	2990	0	10	3205	3	11	3200	0	10	3430	3	11
2155	1	1	2310	4	2	2365	1	0	2535	4	1	2575	0	11	2760	4	0	2785	0	11	2985	3	12	2995	0	11	3210	3	12	3205	0	11	3435	3	12
2160	1	2	2315	4	3	2370	1	1	2540	4	2	2580	1	0	2765	4	1	2790	0	12	2990	4	0	3000	0	12	3215	3	13	3210	0	12	3440	3	13
2165	1	3	2320	4	4	2375	1	2	2545	4	3	2585	1	1	2770	4	2	2795	1	0	2995	4	1	3005	0	13	3220	4	0	3215	0	13	3445	3	14
2170	1	4	2325	4	5	2380	1	3	2550	4	4	2590	1	2	2775	4	3	2800	1	1	3000	4	2	3010	1	0	3225	4	1	3220	0	14	3450	4	0
2175	1	5	2330	4	6	2385	1	4	2555	4	5	2595	1	3	2780	4	4	2805	1	2	3005	4	3	3015	1	1	3230	4	2	3225	1	0	3455	4	1
2180	1	6	2335	4	7	2390	1	5	2560	4	6	2600	1	4	2785	4	5	2810	1	3	3010	4	4	3020	1	2	3235	4	3	3230	1	1	3460	4	2
2185	1	7	2340	4	8	2395	1	6	2565	4	7	2605	1	5	2790	4	6	2815	1	4	3015	4	5	3025	1	3	3240	4	4	3235	1	2	3465	4	3
2190	1	8	2345	4	9	2400	1	7	2570	4	8	2610	1	6	2795	4	7	2820	1	5	3020	4	6	3030	1	4	3245	4	5	3240	1	3	3470	4	4
2195	1	9	2350	5	0	2405	1	8	2575	4	9	2615	1	7	2800	4	8	2825	1	6	3025	4	7	3035	1	5	3250	4	6	3245	1	4	3475	4	5
2200	2	0				2410	1	9	2580	4	10	2620	1	8	2805	4	9	2830	1	7	3030	4	8	3040	1	6	3255	4	7	3250	1	5	3480	4	6
2205	2	1				2415	1	10	2585	5	0	2625	1	9	2810	4	10	2835	1	8	3035	4	9	3045	1	7	3260	4	8	3255	1	6	3485	4	7
2210	2	2				2420	2	0				2630	1	10	2815	4	11	2840	1	9	3040	4	10	3050	1	8	3265	4	9	3260	1	7	3490	4	8
2215	2	3				2425	2	1				2635	1	11	2820	5	0	2845	1	10	3045	4	11	3055	1	9	3270	4	10	3265	1	8	3495	4	9
2220	2	4				2430	2	2				2640	2	0				2850	1	11	3050	4	12	3060	1	10	3275	4	11	3270	1	9	3500	4	10
2225	2	5				2435	2	3				2645	2	1				2855	1	12	3055	5	0	3065	1	11	3280	4	12	3275	1	10	3505	4	11
2230	2	6				2440	2	4				2650	2	2				2860	2	0				3070	1	12	3285	4	13	3280	1	11	3510	4	12
2235	2	7				2445	2	5				2655	2	3				2865	2	1				3075	1	13	3290	5	0	3285	1	12	3515	4	13
2240	2	8				2450	2	6				2660	2	4				2870	2	2				3080	2	0				3290	1	13	3520	4	14
2245	2	9				2455	2	7				2665	2	5				2875	2	3				3085	2	1				3295	1	14	3525	5	0
2250	3	0				2460	2	8				2670	2	6				2880	2	4				3090	2	2				3300	2	0			
						2465	2	9				2675	2	7				2885	2	5				3095	2	3				3305	2	1			
						2470	2	10				2680	2	8				2890	2	6				3100	2	4				3310	2	2			
						2475	3	0				2685	2	9				2895	2	7				3105	2	5				3315	2	3			
												2690	2	10				2900	2	8				3110	2	6				3320	2	4			
												2695	2	11				2905	2	9				3115	2	7				3325	2	5			
												2700	3	0				2910	2	10				3120	2	8				3330	2	6			
																		2915	2	11				3125	2	9				3335	2	7			
																		2920	2	12				3130	2	10				3340	2	8			
																		2925	3	0				3135	2	11				3345	2	9			
																								3140	2	12				3350	2	10			
																								3145	2	13				3355	2	11			
																								3150	3	0				3360	2	12			
																													3365	2	13				
																													3370	2	14				
																													3375	3	0				

∅ 120 cm



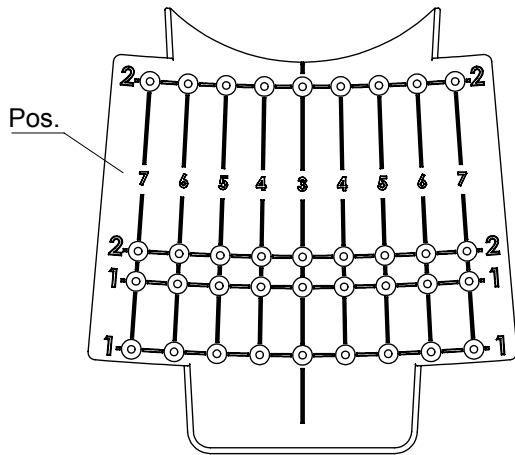
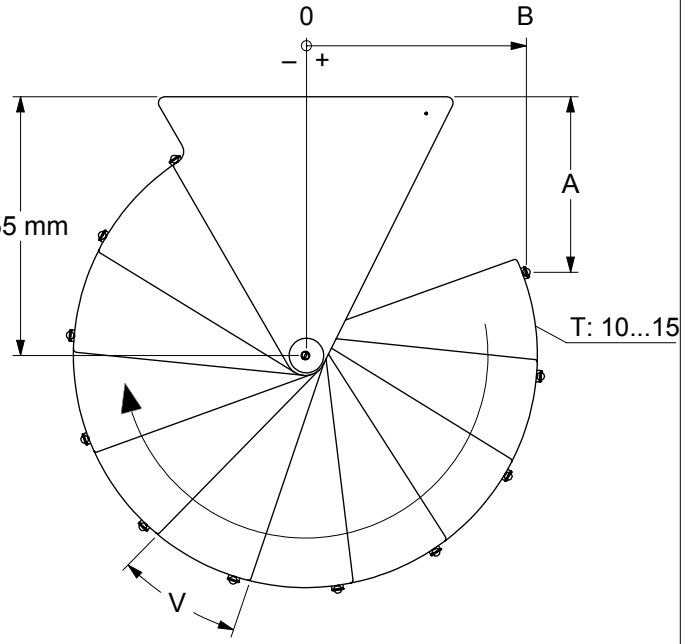
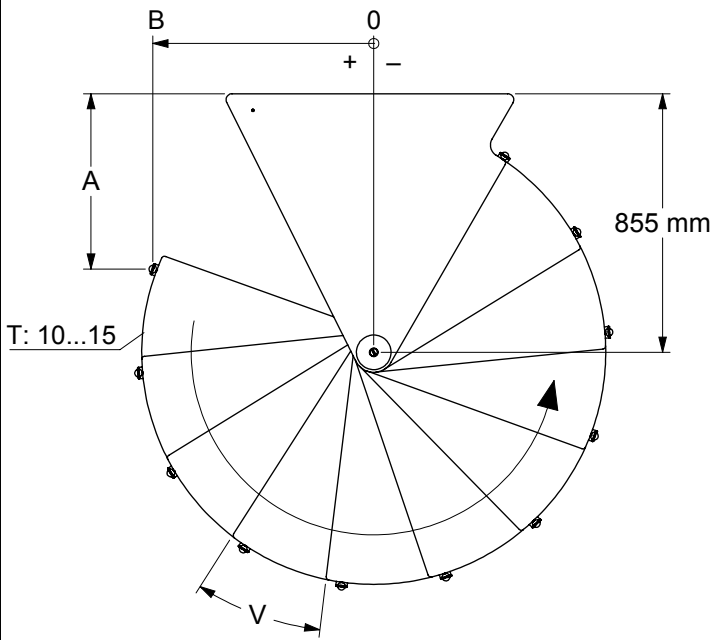
∅ 120 cm				
T	Pos.	V	A	B
		°	mm	mm
10	7	21	1046	429
	6	24	865	541
	5	26	656	580
	4	28	447	542
	3	31	265	431
11	7	21	862	542
	6	24	629	580
	5	26	400	522
	4	28	214	377
	3	31	100	170
12	7	21	650	580
	6	24	398	520
	5	26	197	356
	4	28	87	121
	3	31	91	-138
13	7	21	438	539
	6	24	209	373
	5	26	86	118
	4	28	98	-164
	3	31	241	-408
14	7	21	256	422
	6	24	97	161
	5	26	93	-144
	4	28	244	-410
	3	31	509	-562
15	7	21	130	247
	6	24	80	-77
	5	26	214	-377
	4	28	489	-556
	3	31	817	-558

∅ 140 cm

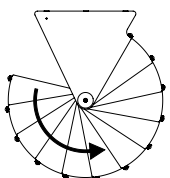
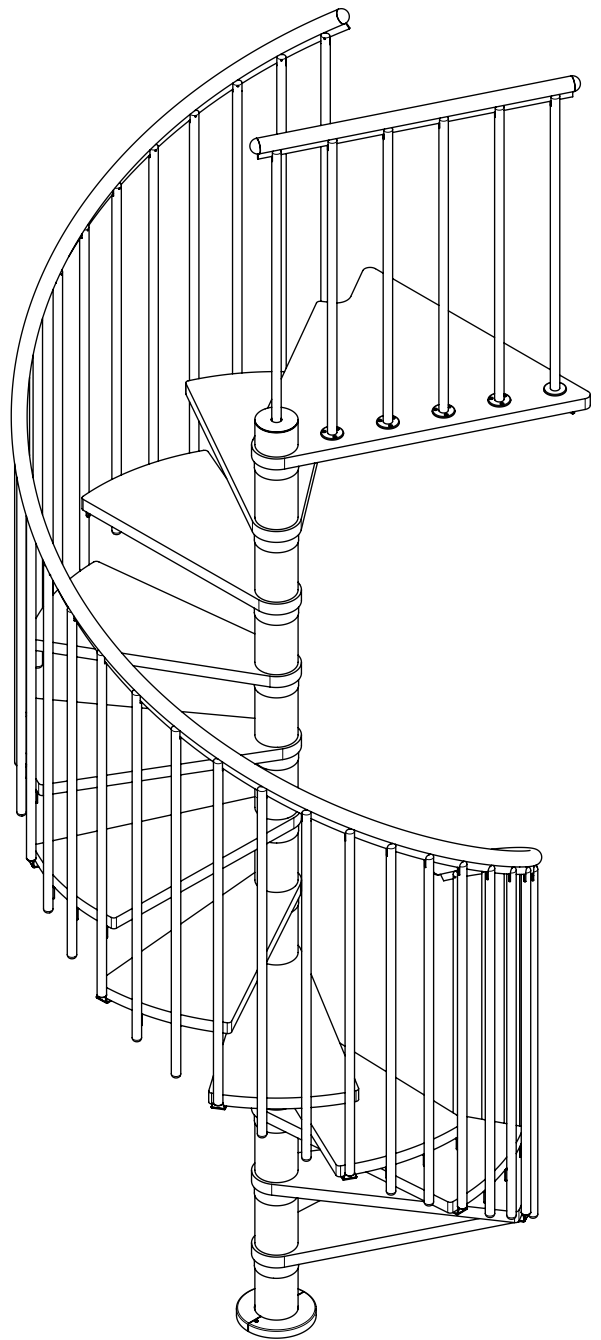
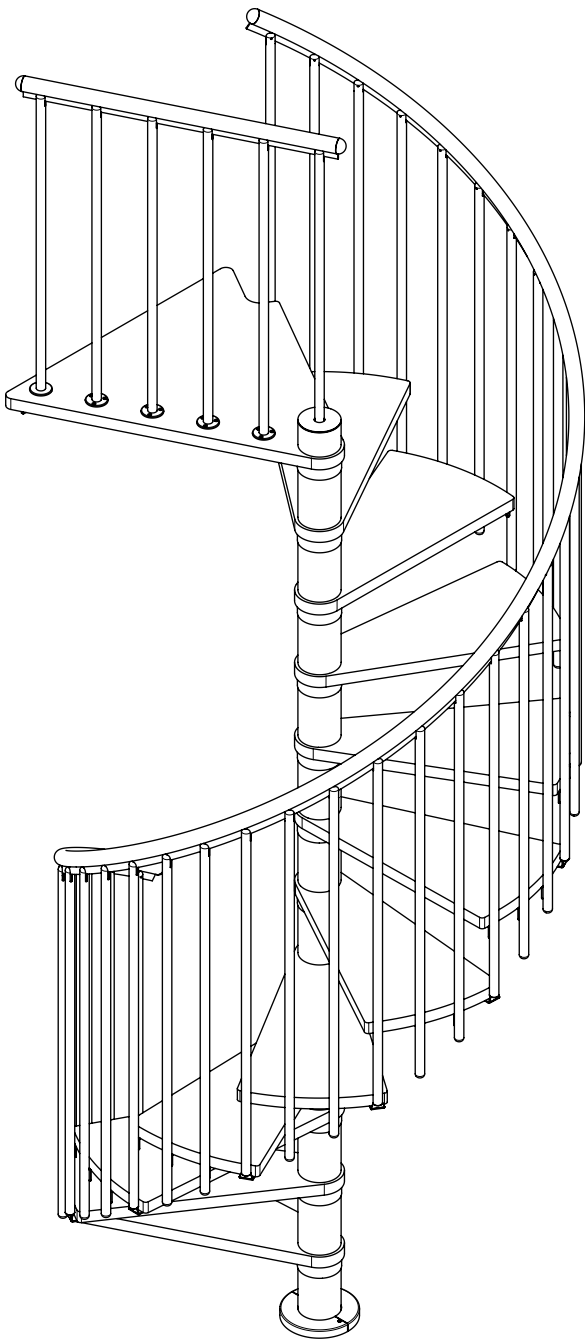


∅ 140 cm				
T	Pos.	V	A	B
		°	mm	mm
10	7	22	1203	513
	6	24	1022	626
	5	26	816	678
	4	28	603	663
	3	30	405	584
11	7	22	982	642
	6	24	749	680
	5	26	516	637
	4	28	313	517
	3	30	162	334
12	7	22	729	680
	6	24	476	621
	5	26	264	471
	4	28	123	253
	3	30	75	-3
13	7	22	480	623
	6	24	250	457
	5	26	108	212
	4	28	78	-69
	3	30	165	-339
14	7	22	270	477
	6	24	110	216
	5	26	80	-89
	4	28	188	-376
	3	30	410	-586
15	7	22	128	265
	6	24	77	-61
	5	26	185	-372
	4	28	427	-596
	3	30	745	-680

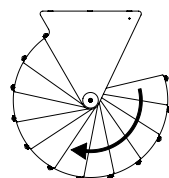
∅ 160 cm



∅ 160 cm				
T	Pos.	V	A	B
		°	mm	mm
10	7	22	1319	628
	6	24	1132	730
	5	26	924	777
	4	27	711	767
	3	29	509	699
11	7	22	1047	757
	6	24	812	779
	5	26	580	730
	4	27	374	614
	3	29	212	442
12	7	22	747	773
	6	24	499	694
	5	26	290	539
	4	27	145	323
	3	29	78	72
13	7	22	463	675
	6	24	205	433
	5	26	112	241
	4	27	75	-40
	3	29	141	-316
14	7	22	237	477
	6	24	77	61
	5	26	82	-105
	4	27	182	-395
	3	29	386	-624
15	7	22	103	208
	6	24	146	-326
	5	26	203	-430
	4	27	439	-661
	3	29	750	-773

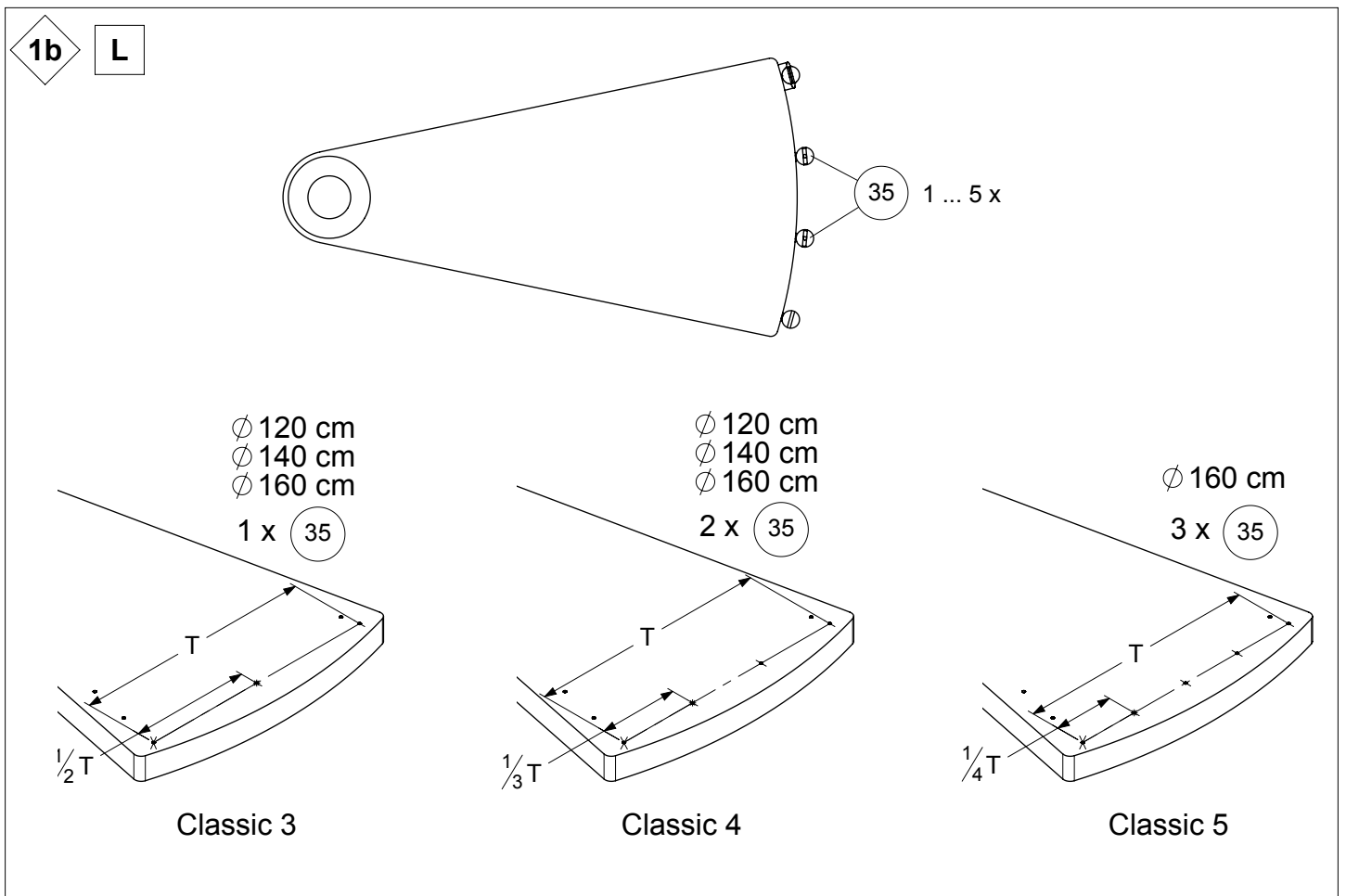
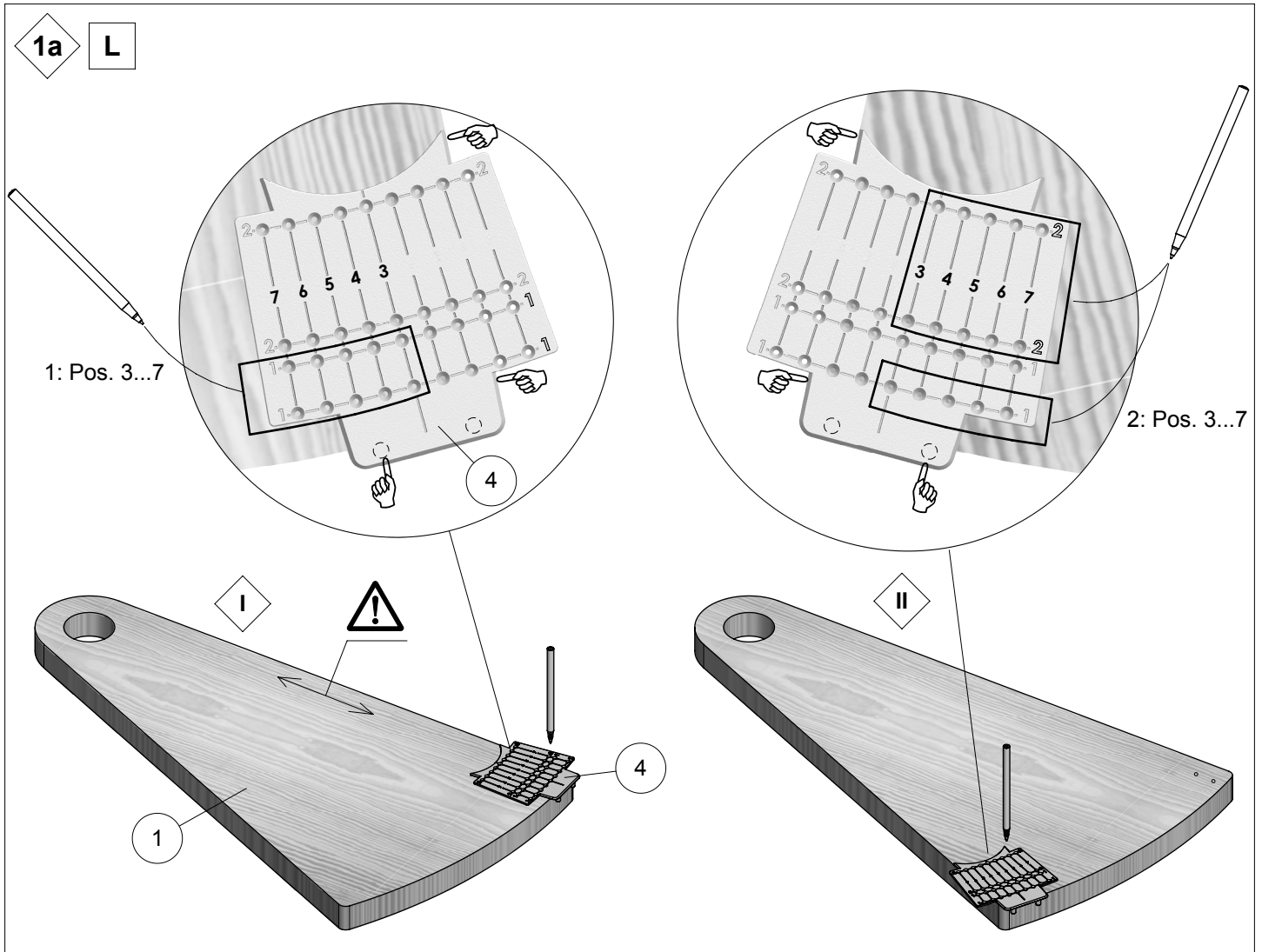


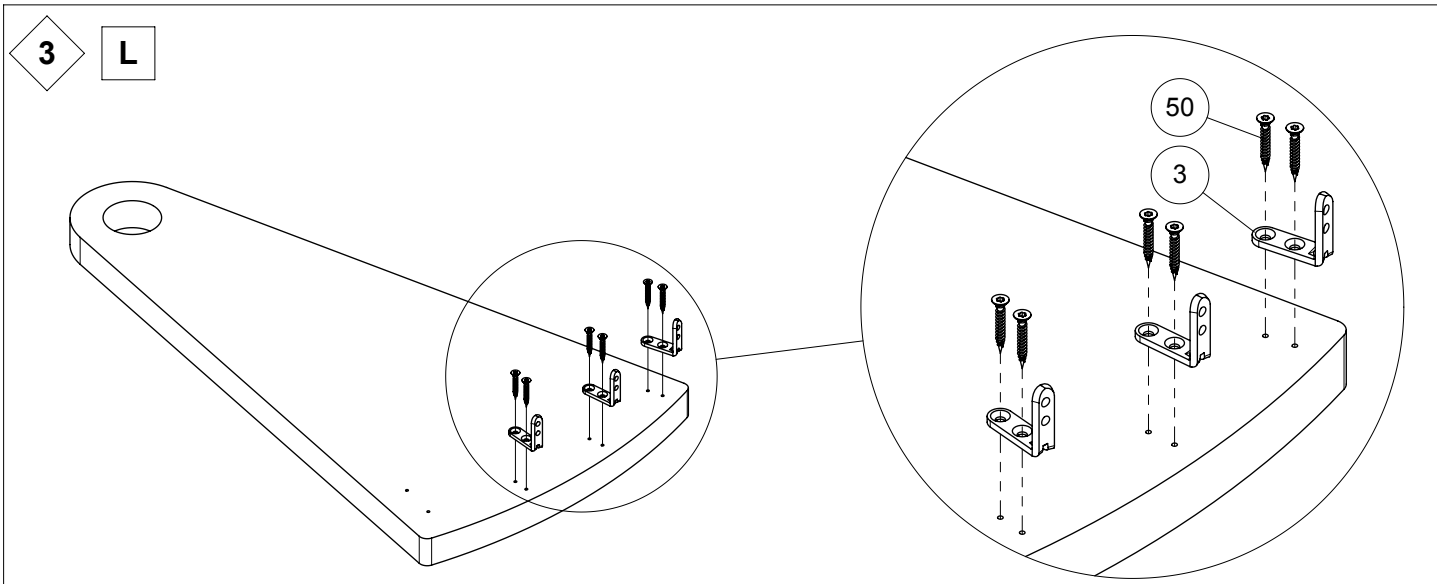
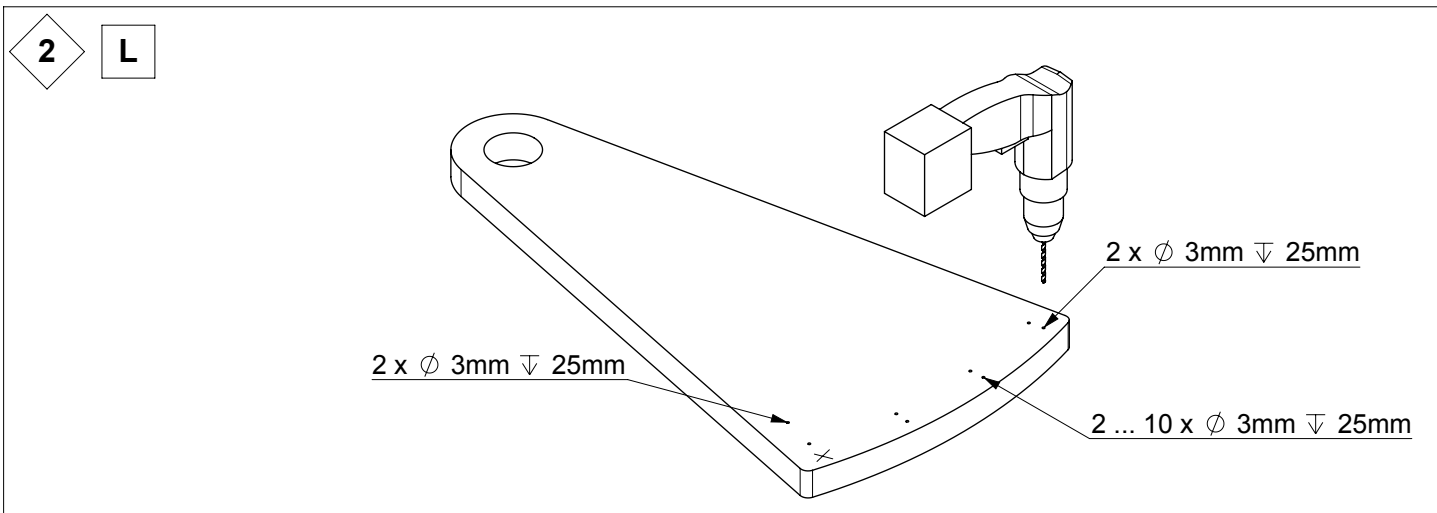
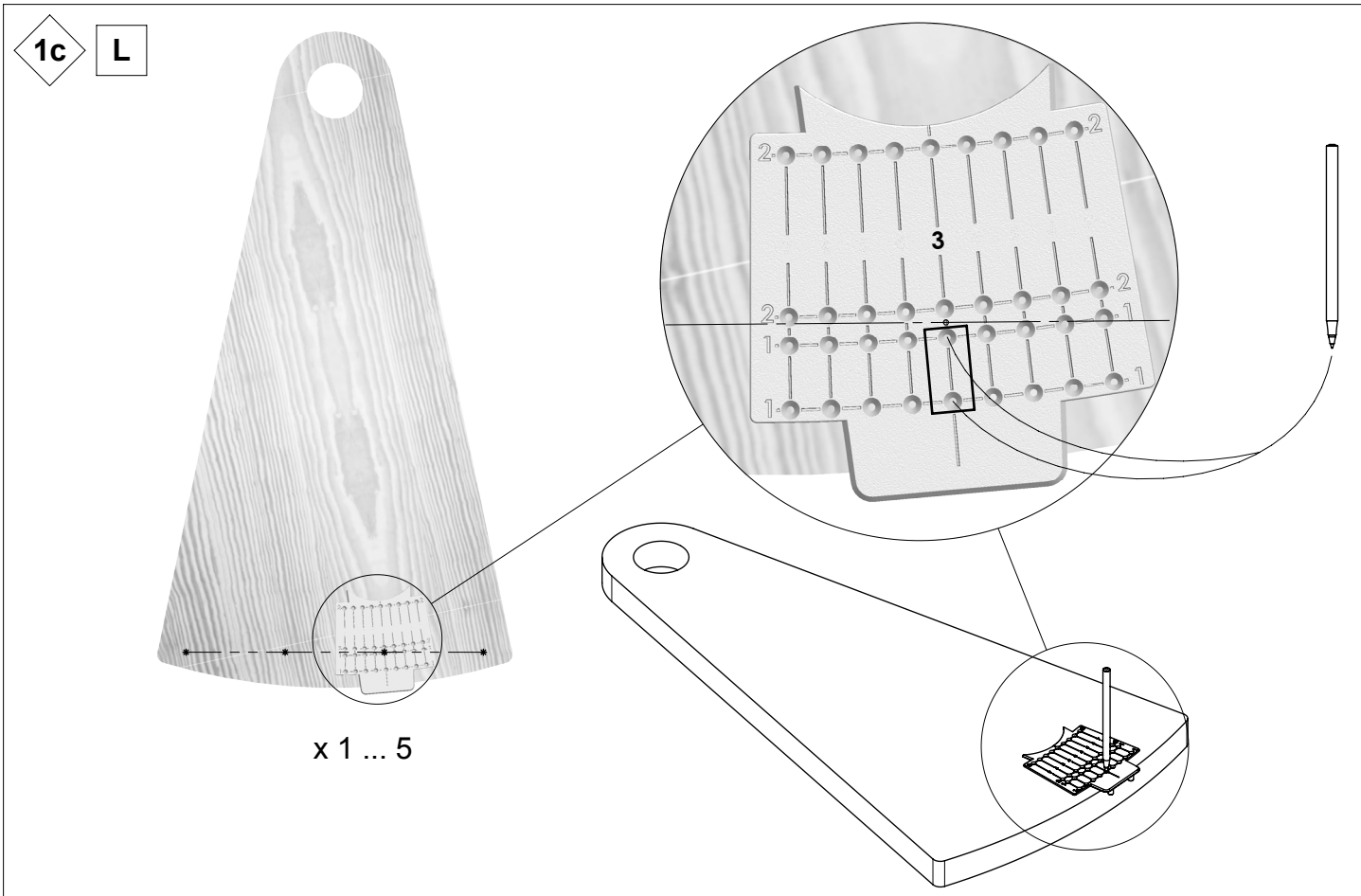
Left
Links
Gauche

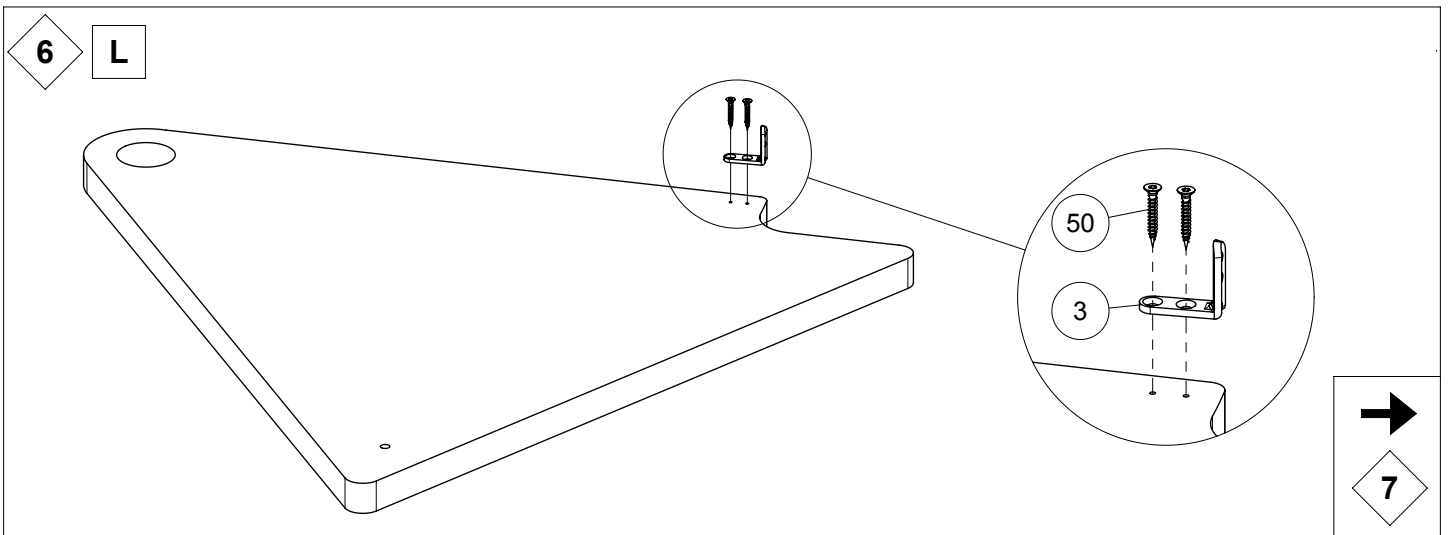
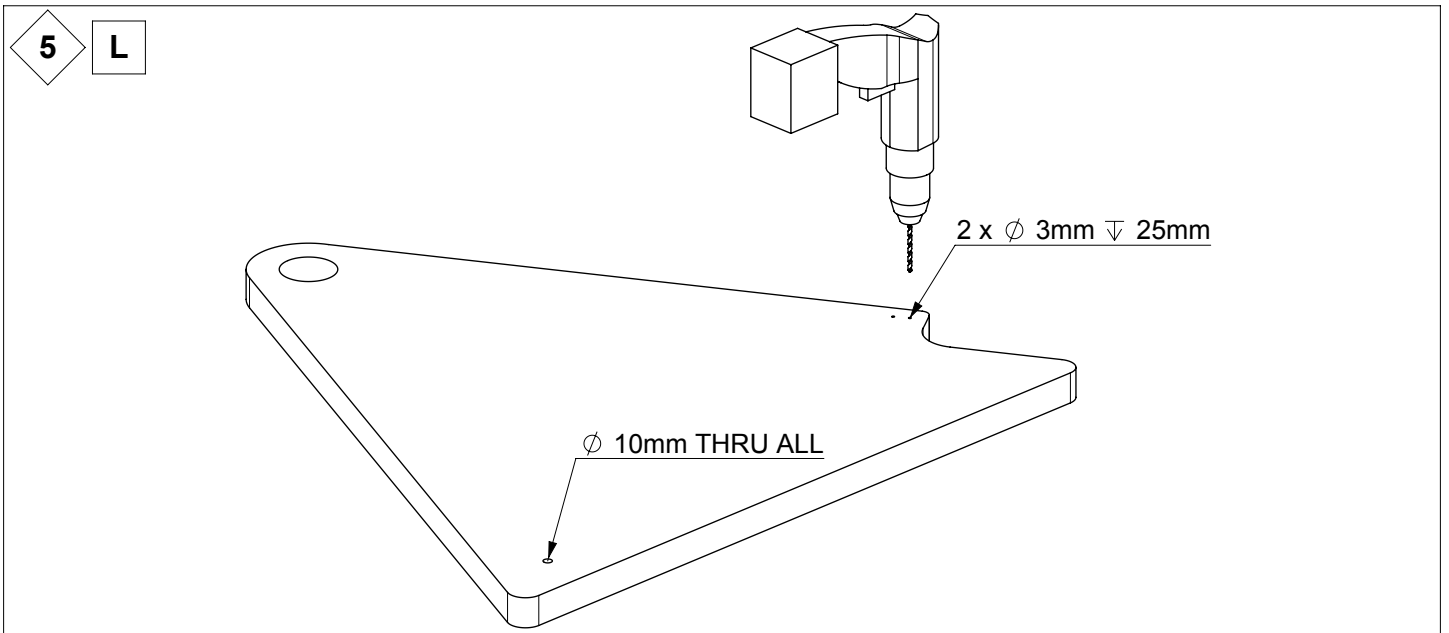
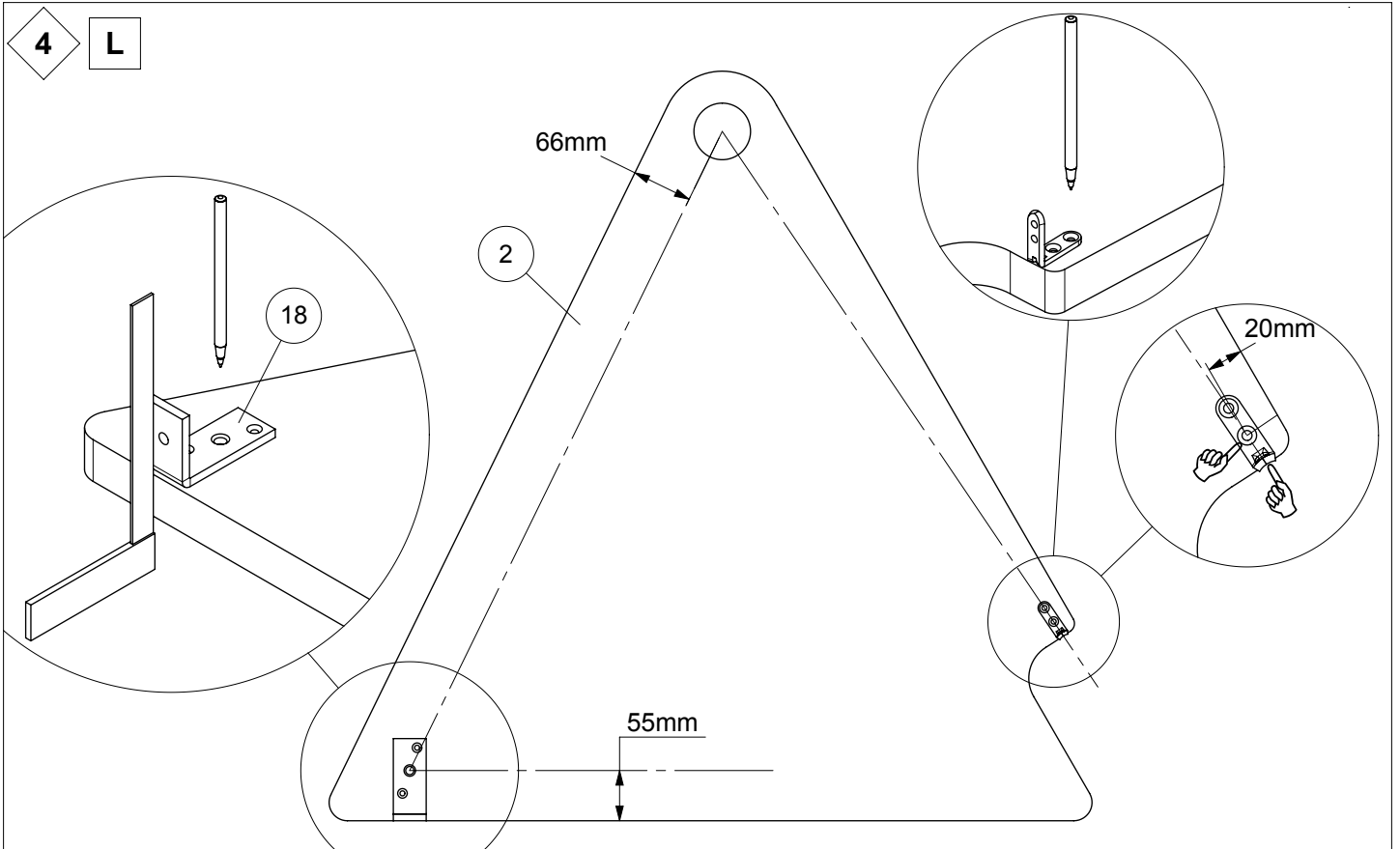


Right
Recht
Droite

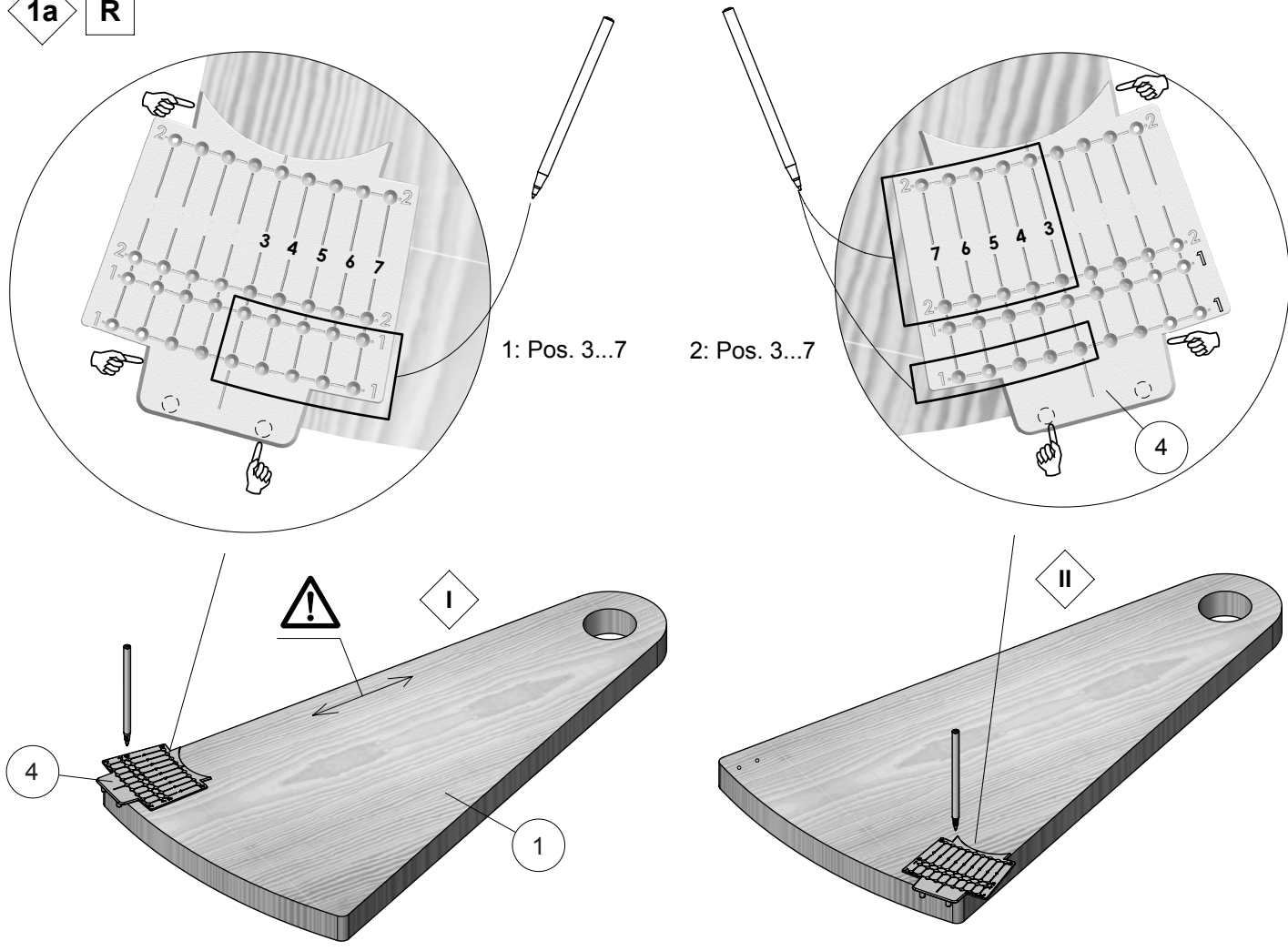




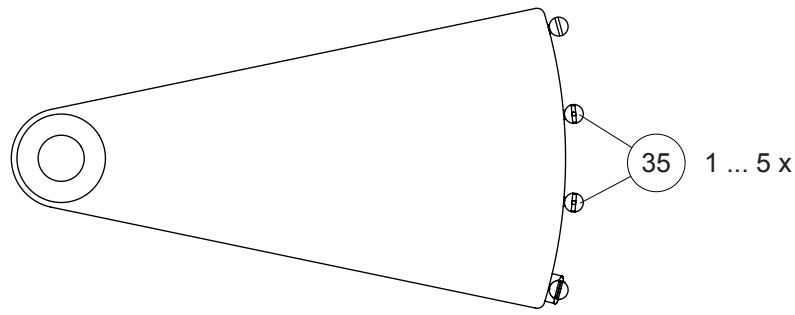




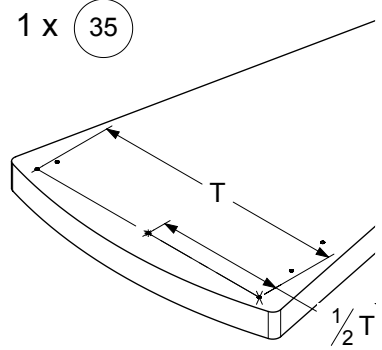
1a R



1b R

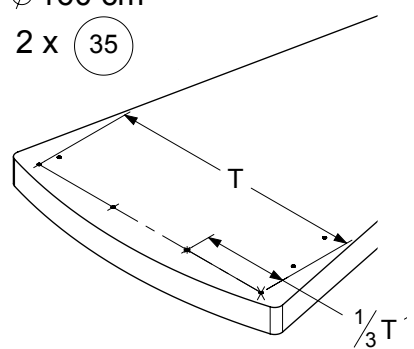


Ø 120 cm
Ø 140 cm
Ø 160 cm
1 x 35



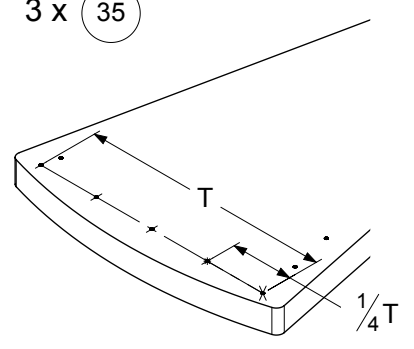
Classic 3

Ø 120 cm
Ø 140 cm
Ø 160 cm
2 x 35

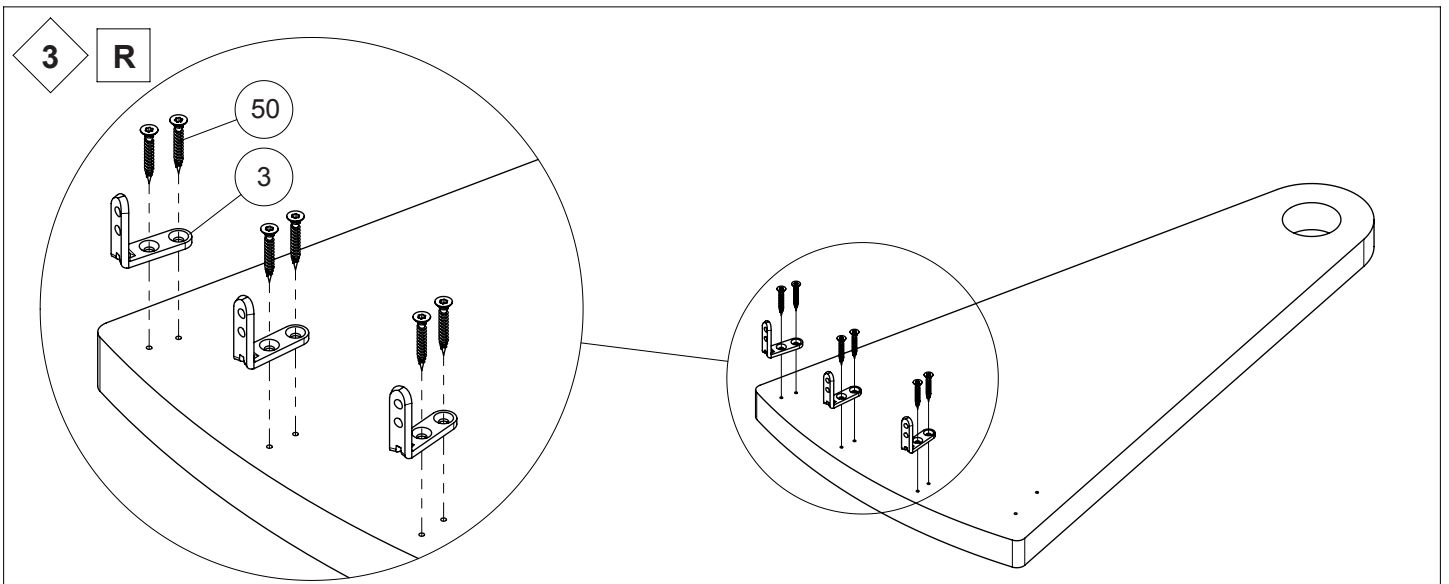
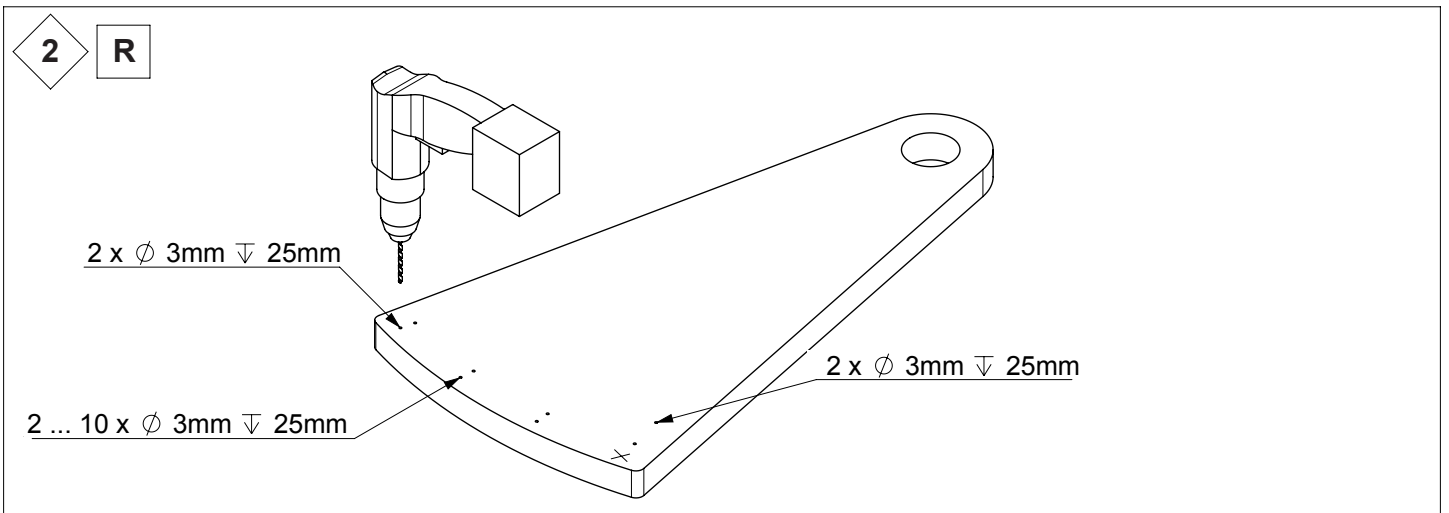
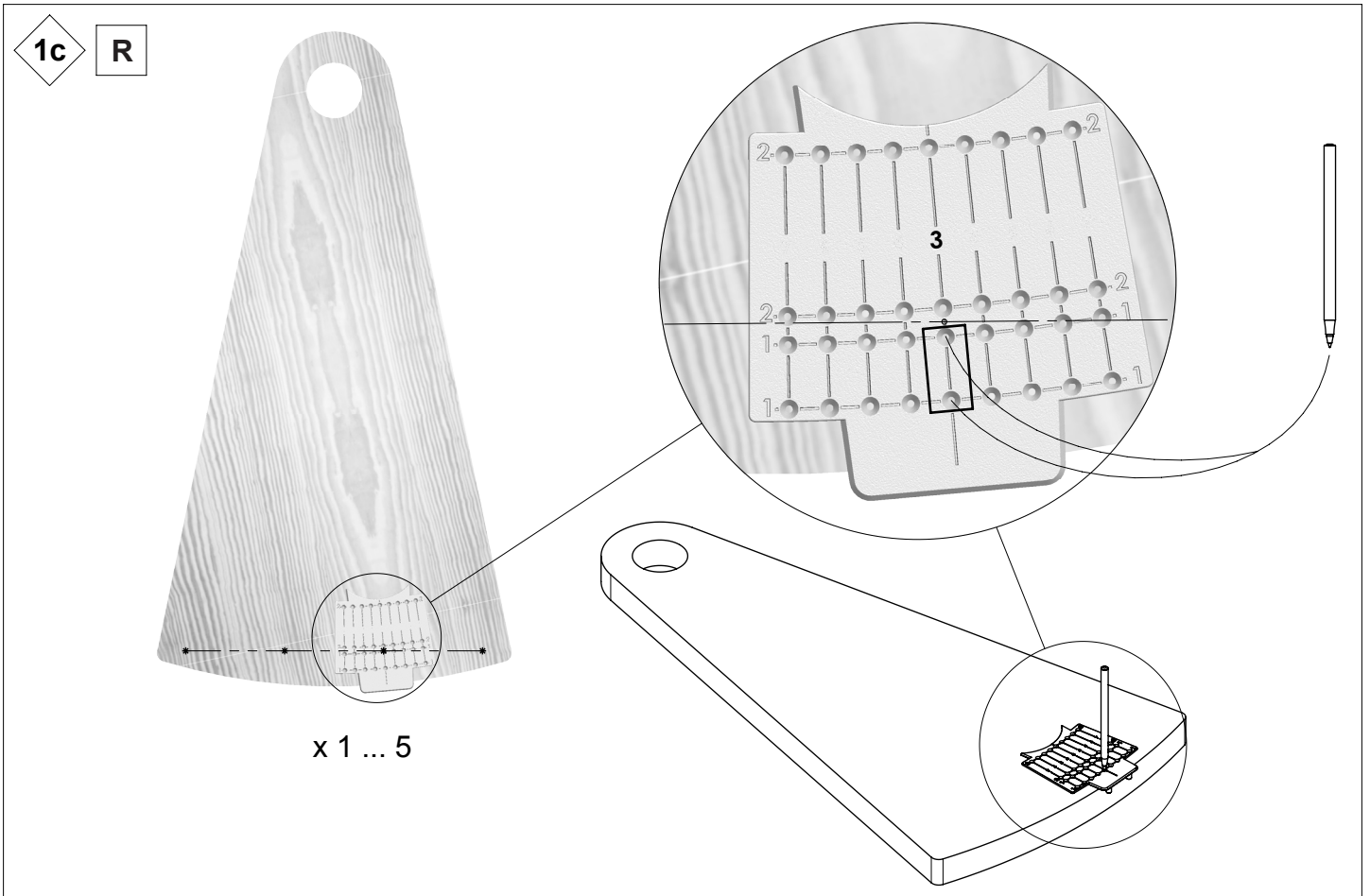


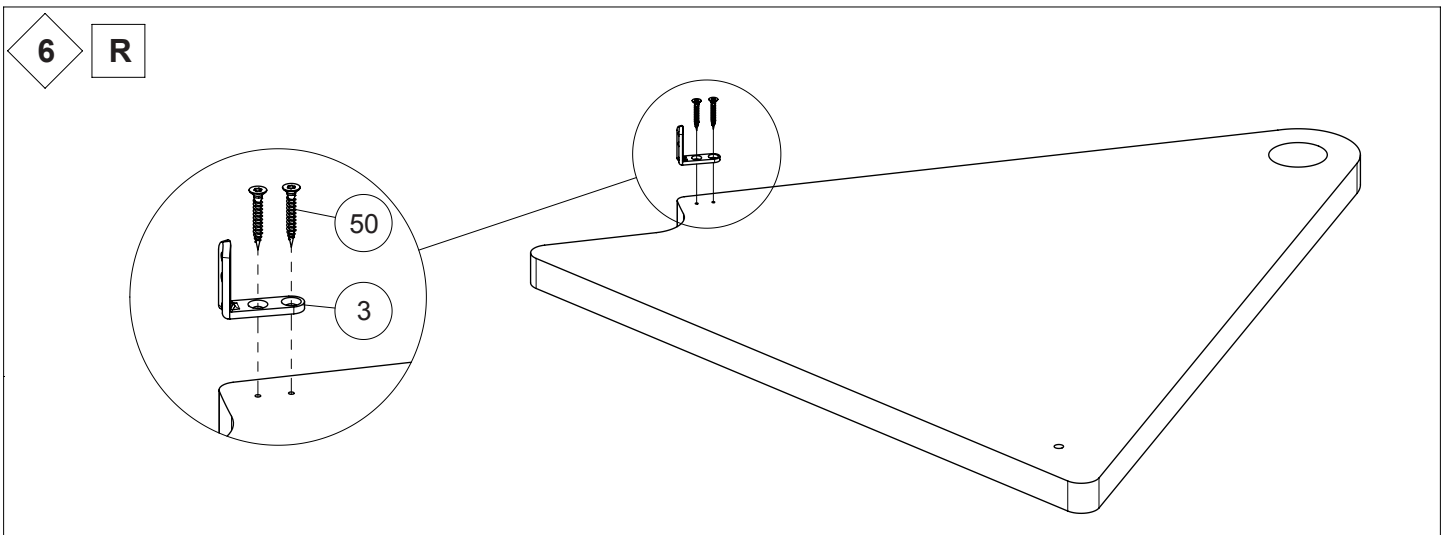
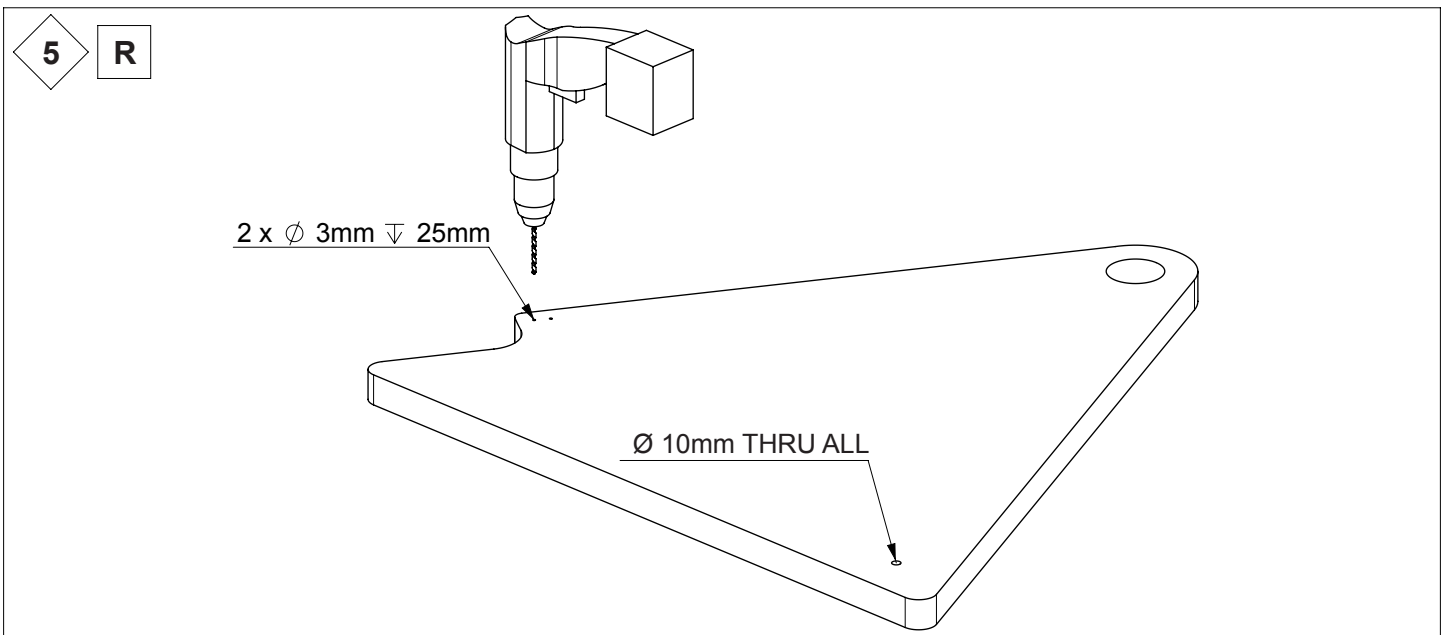
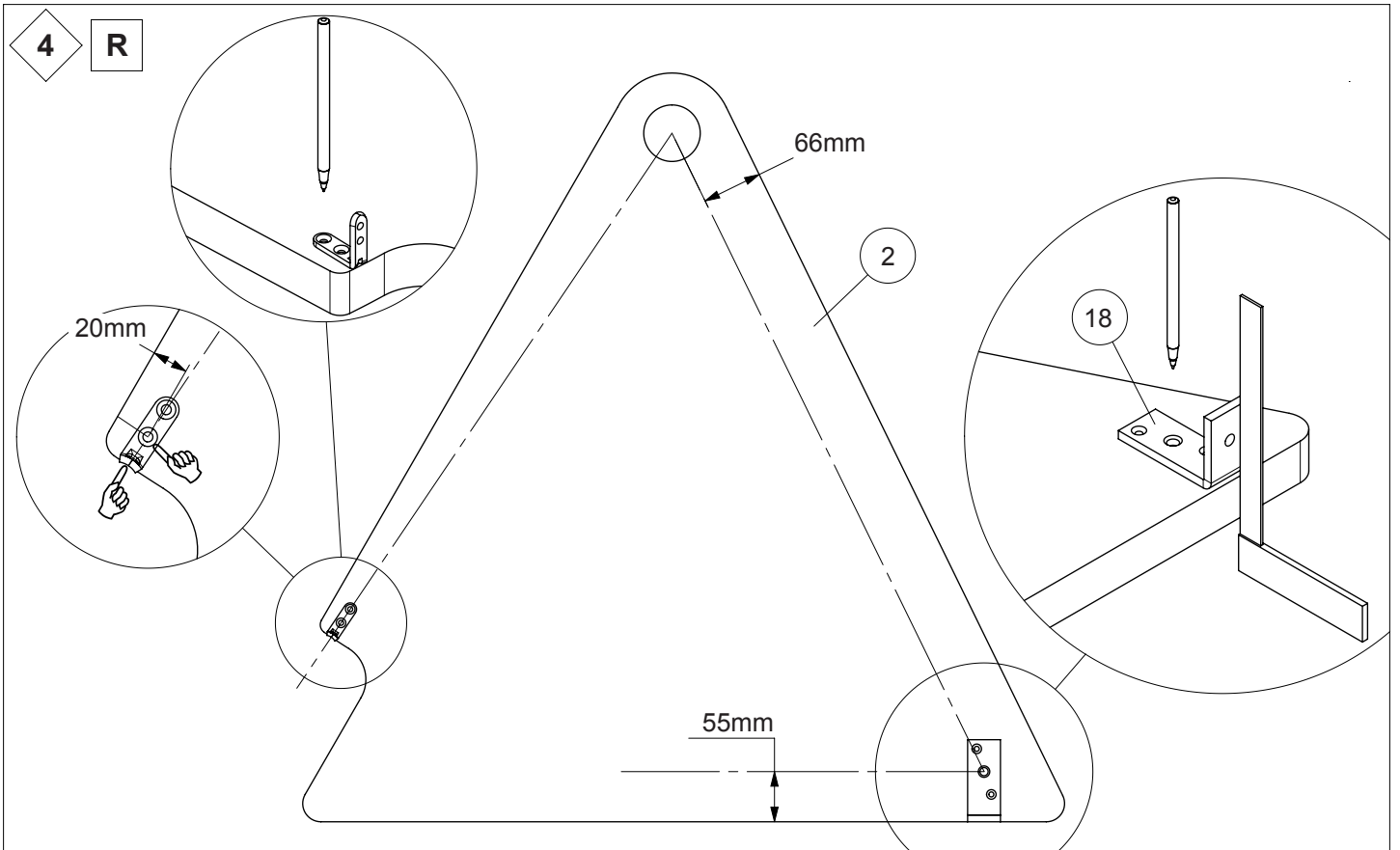
Classic 4

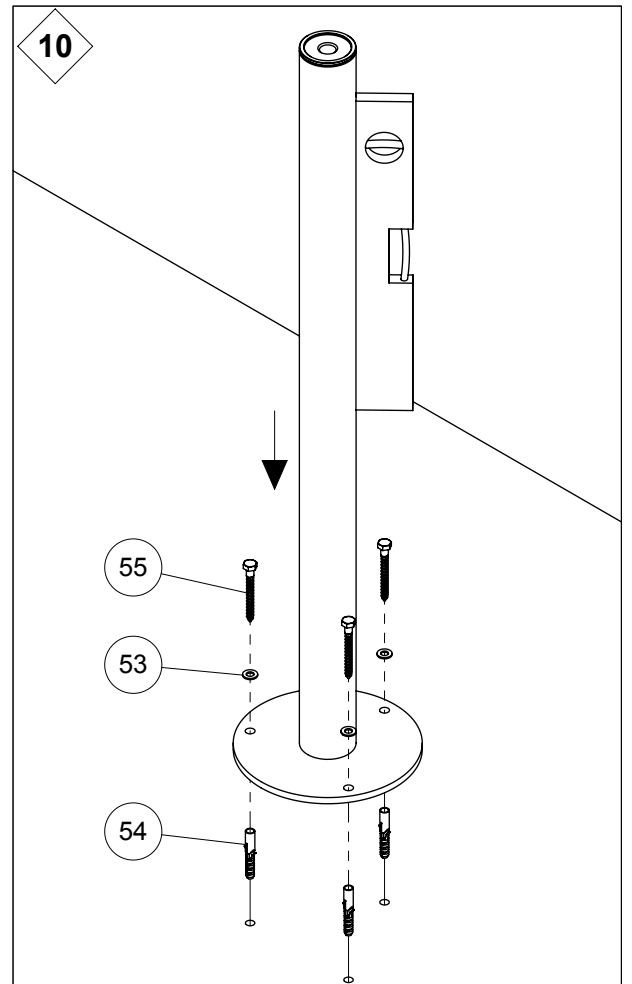
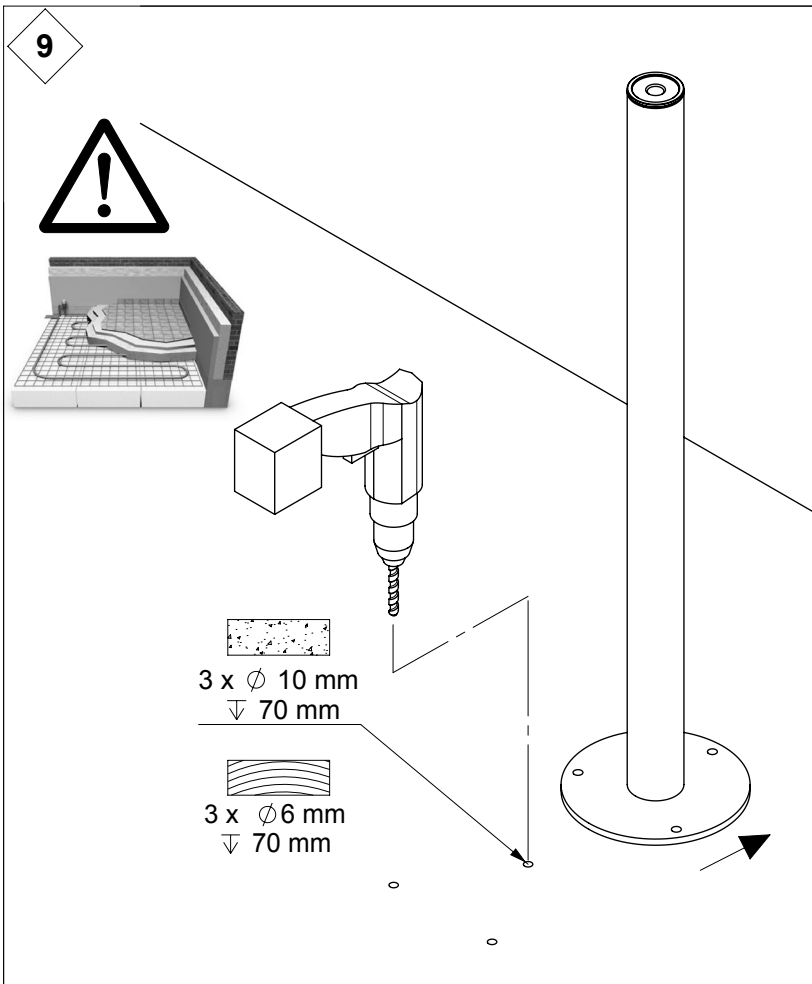
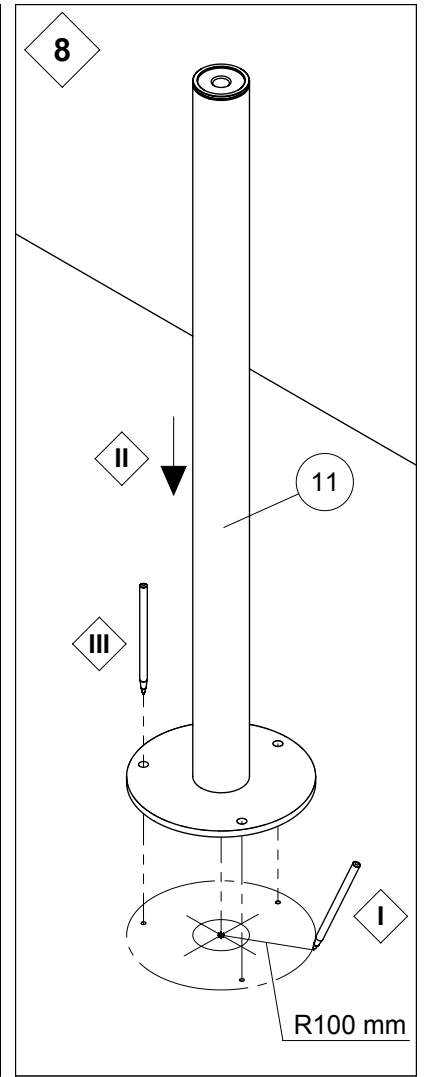
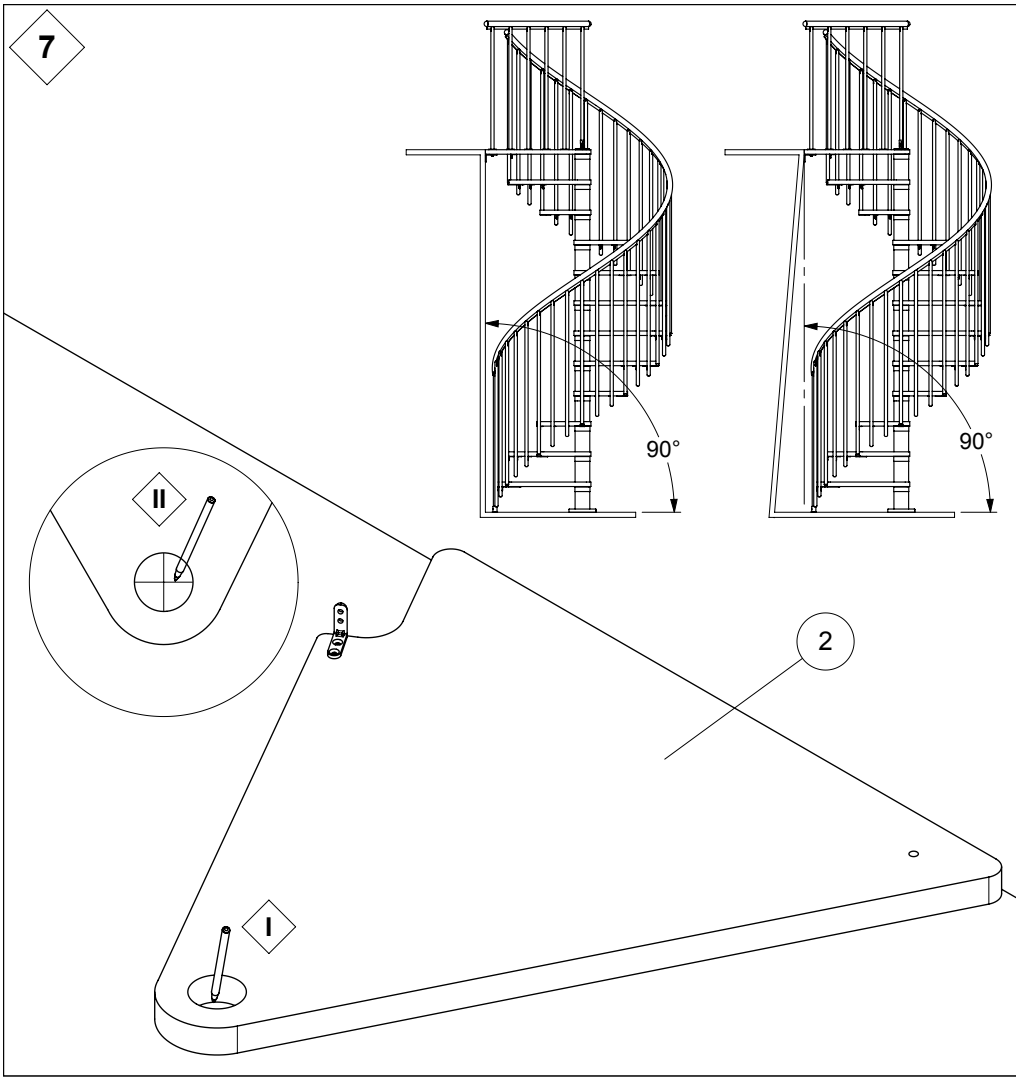
Ø 160 cm
3 x 35

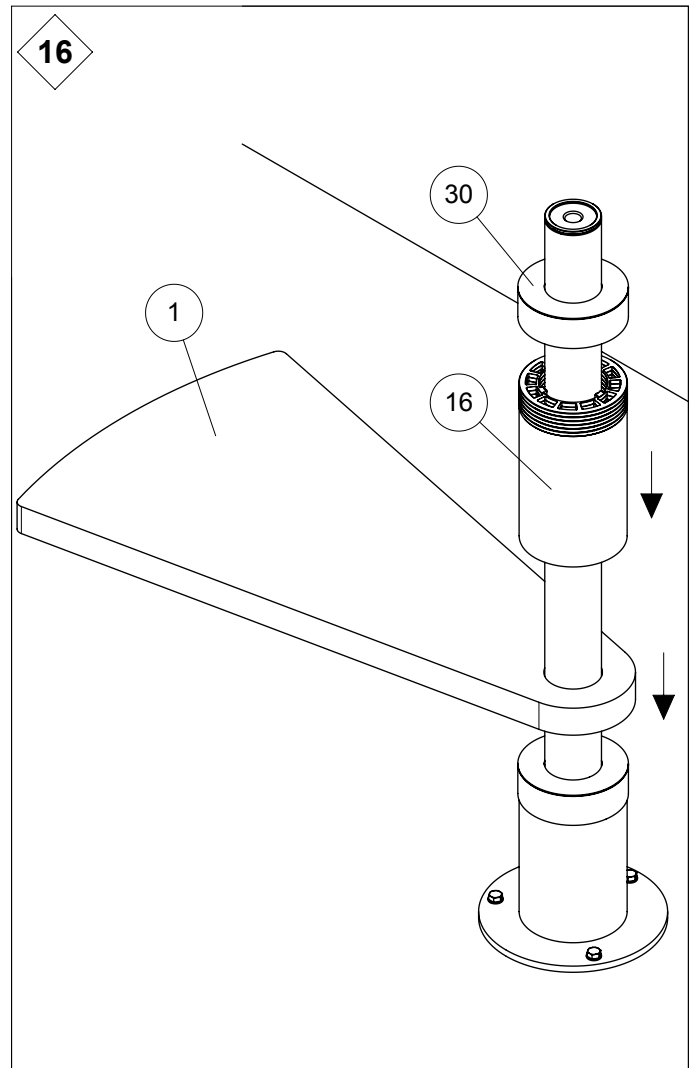
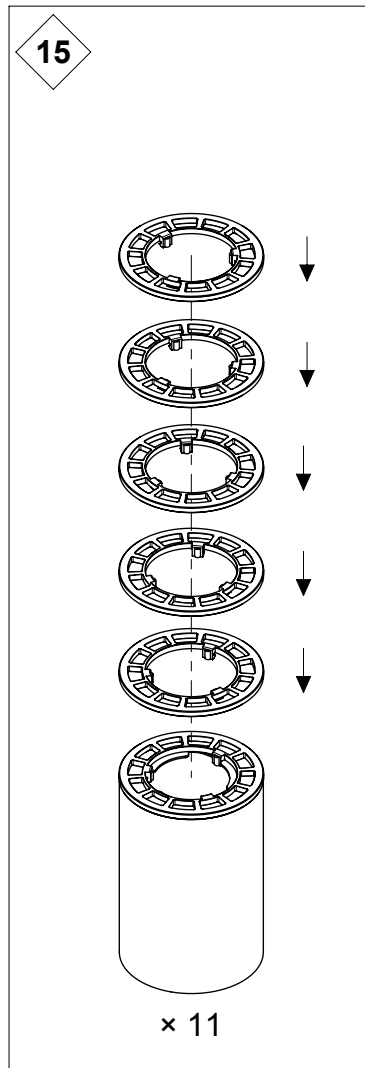
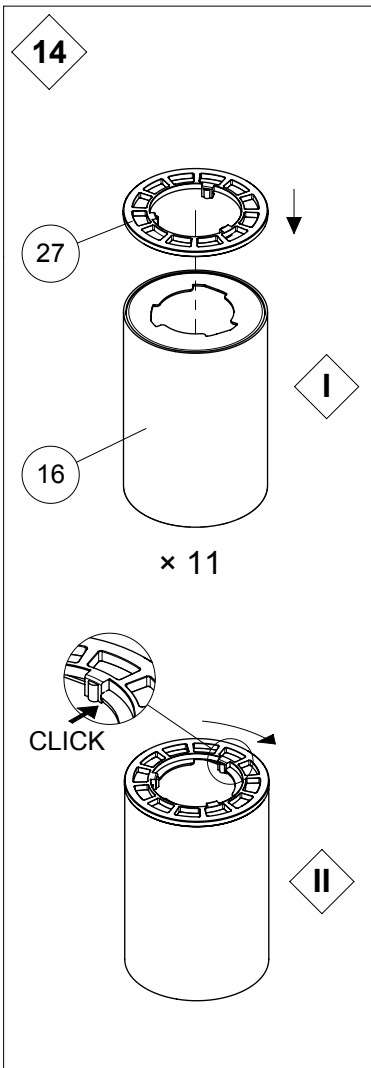
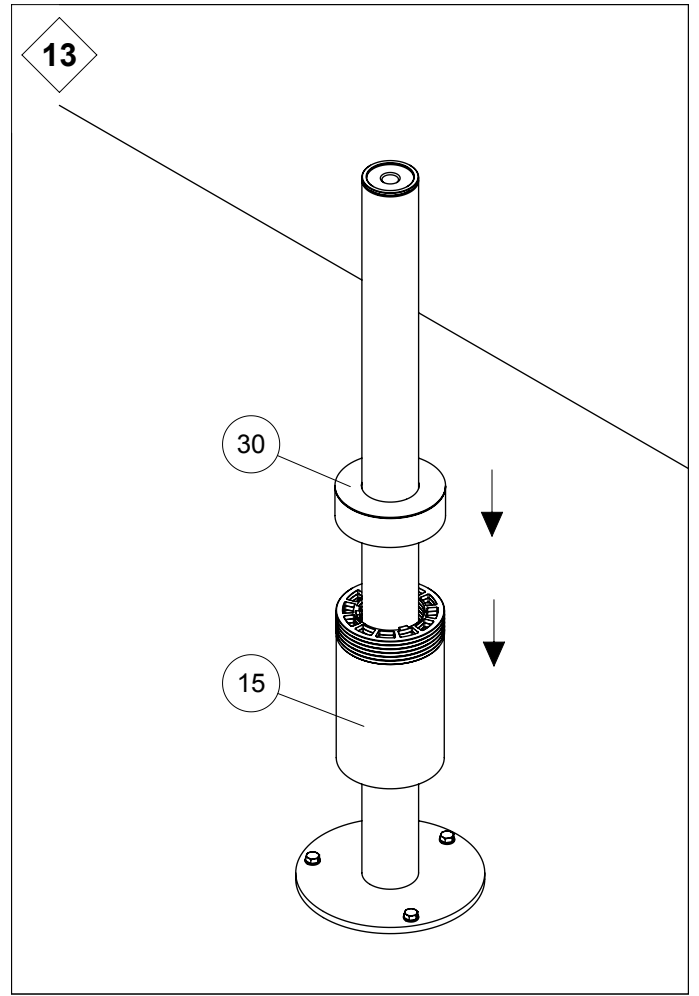
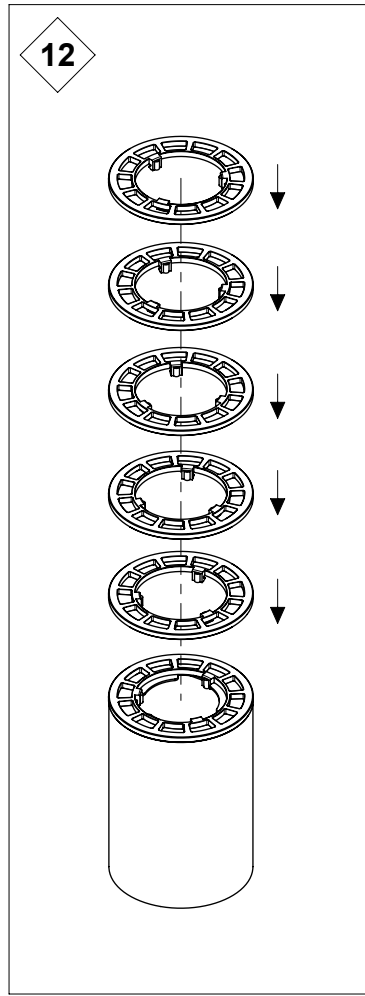
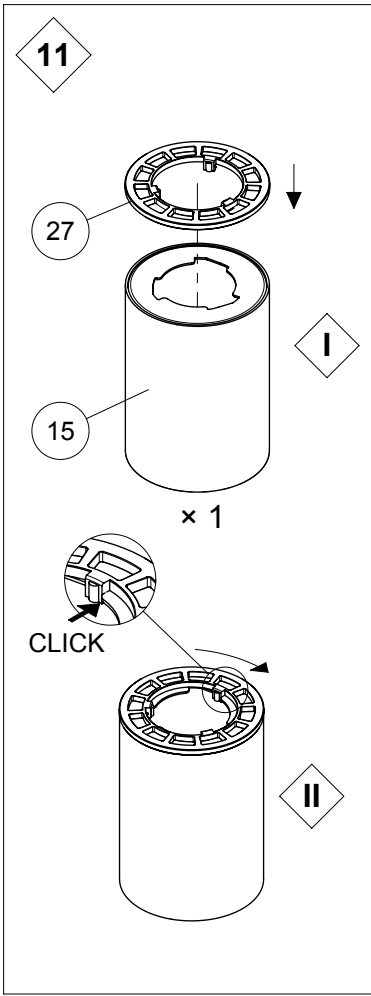


Classic 5

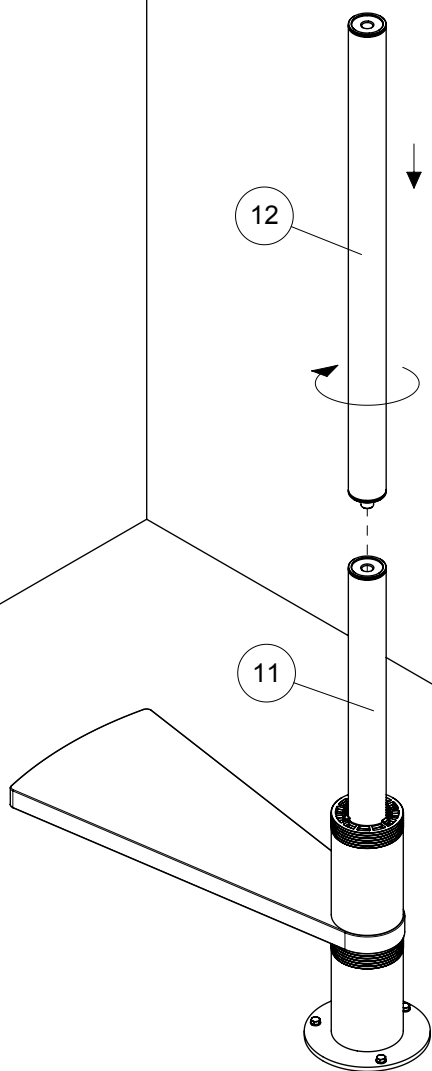




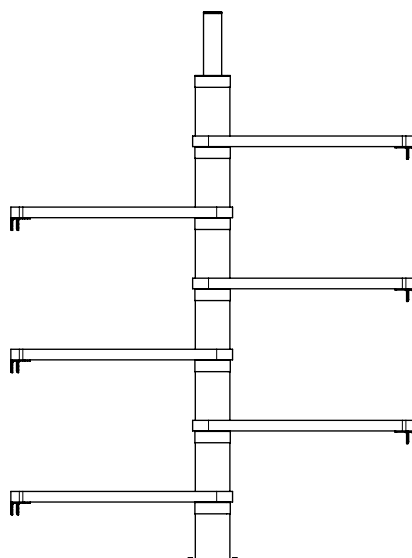
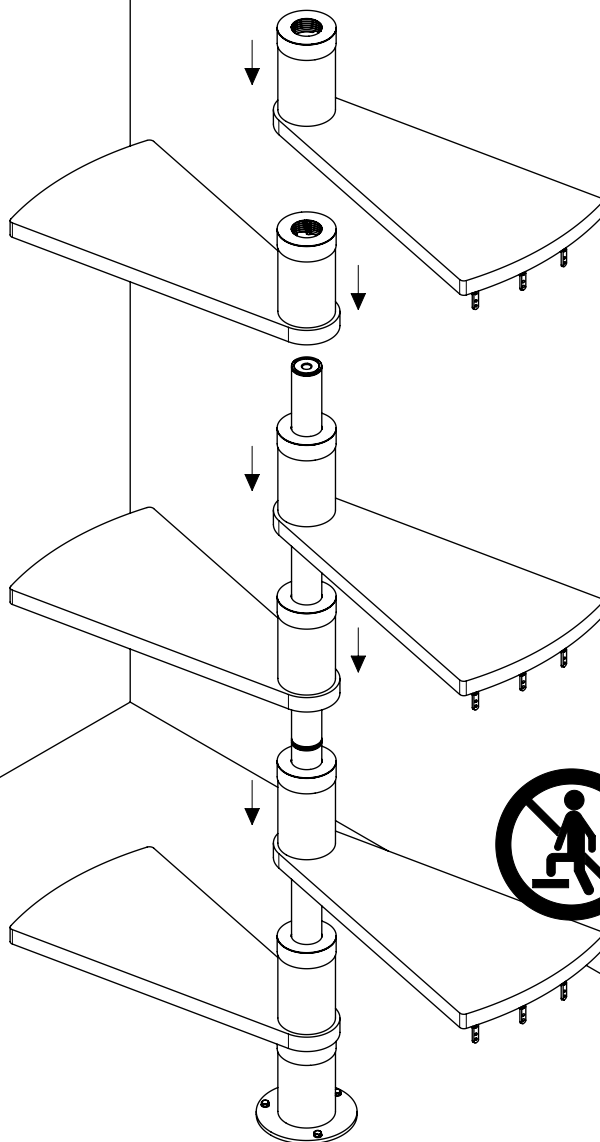


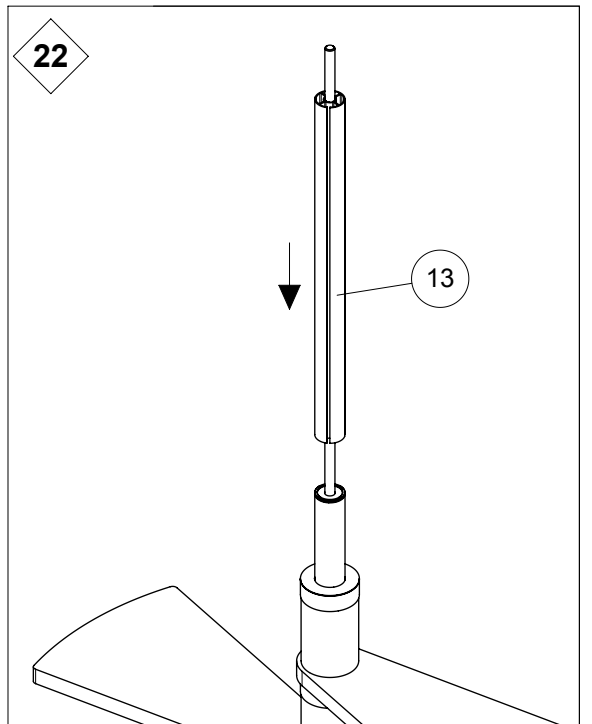
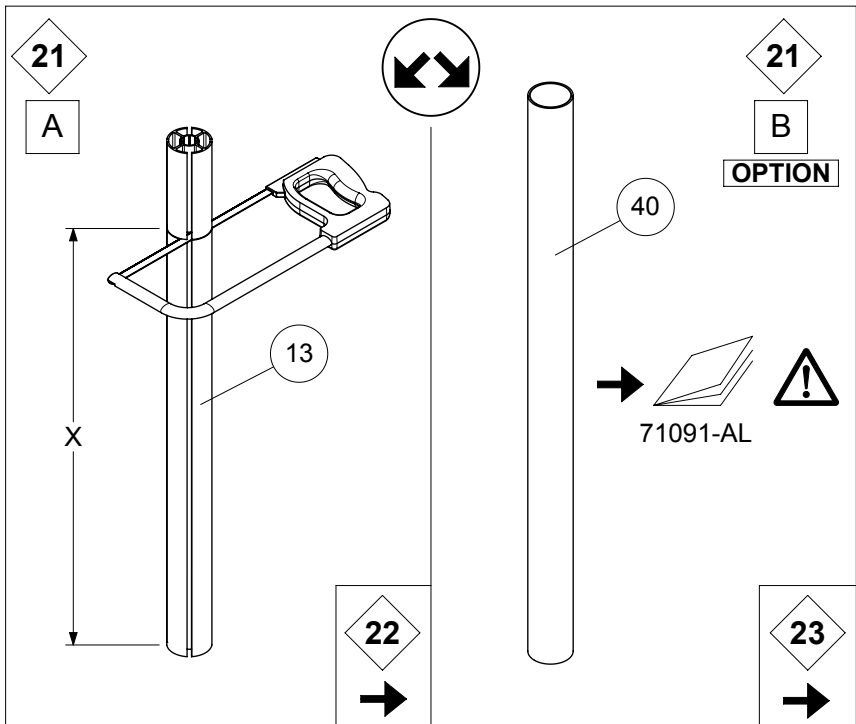
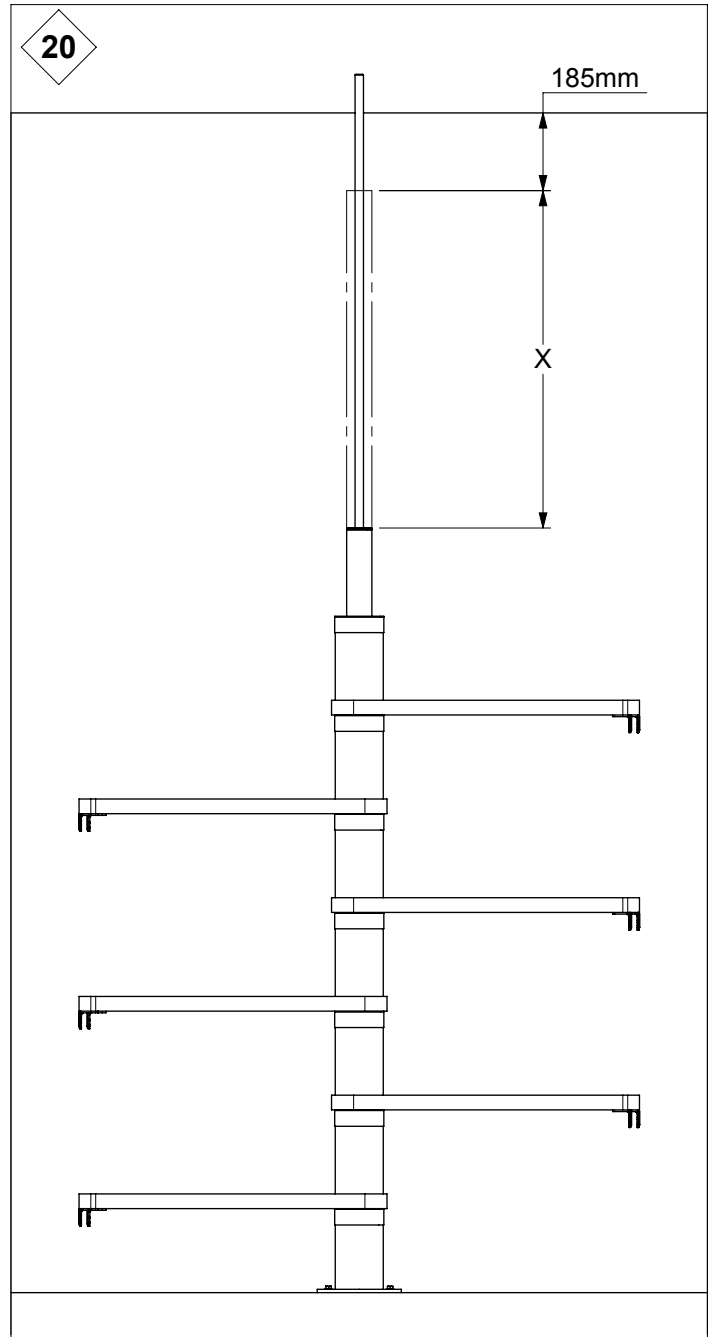
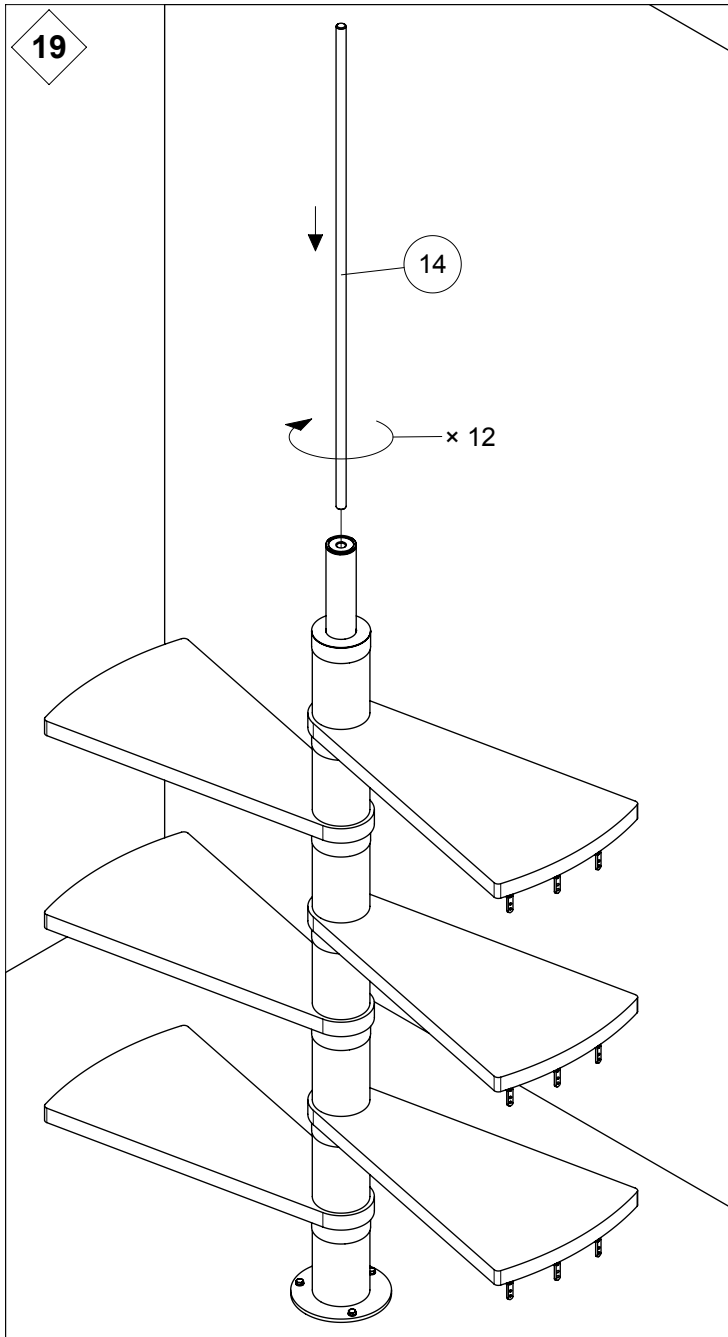


17

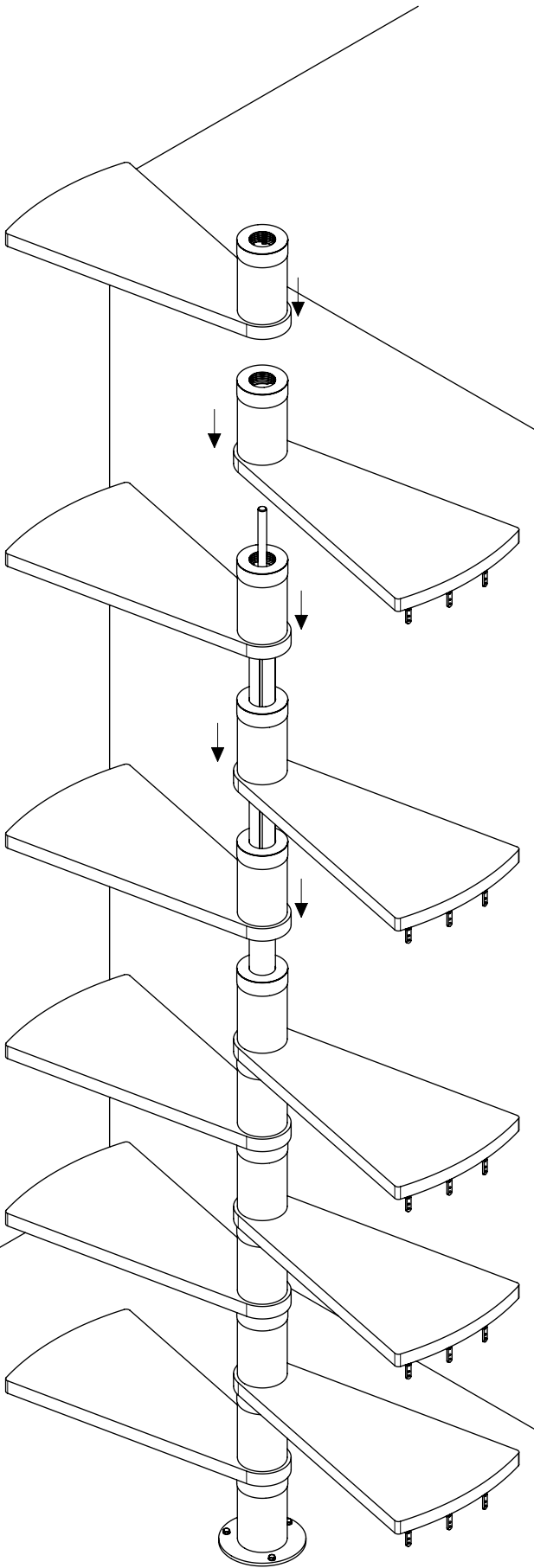


18

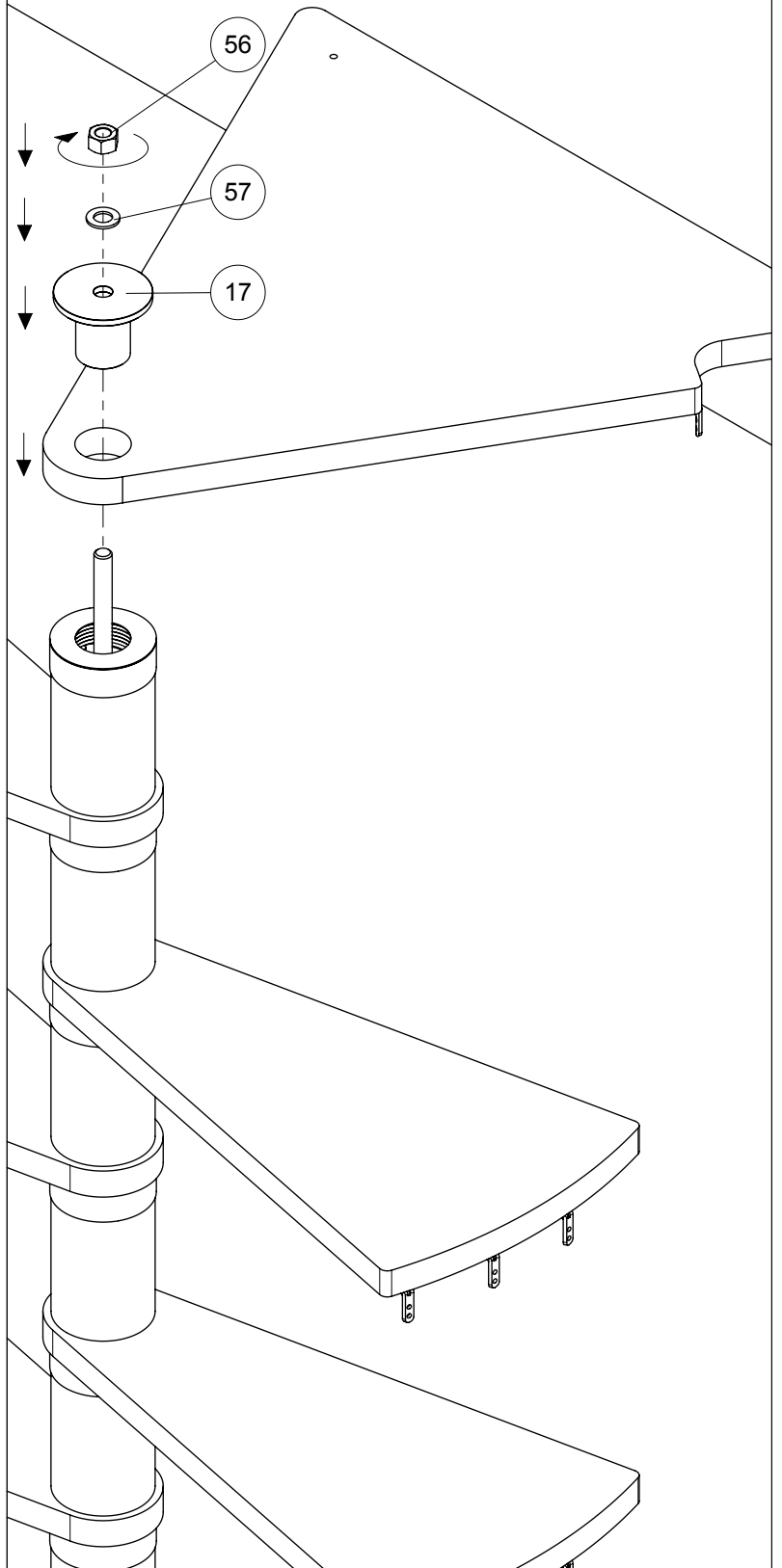




23

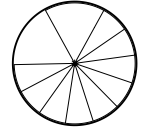
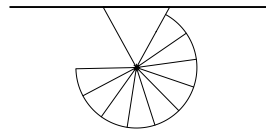


24

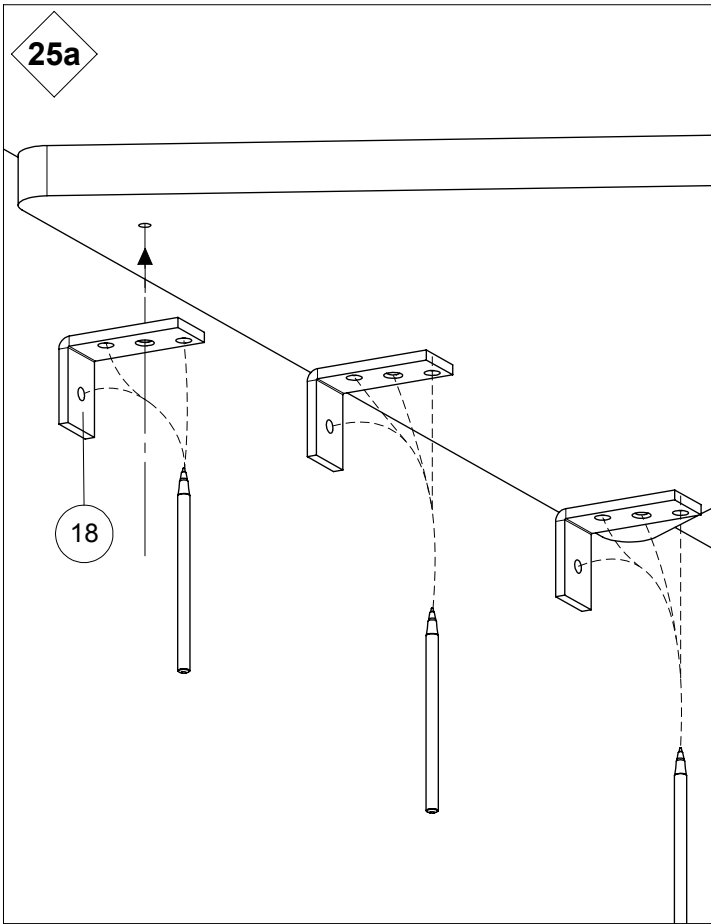


24 - 26b

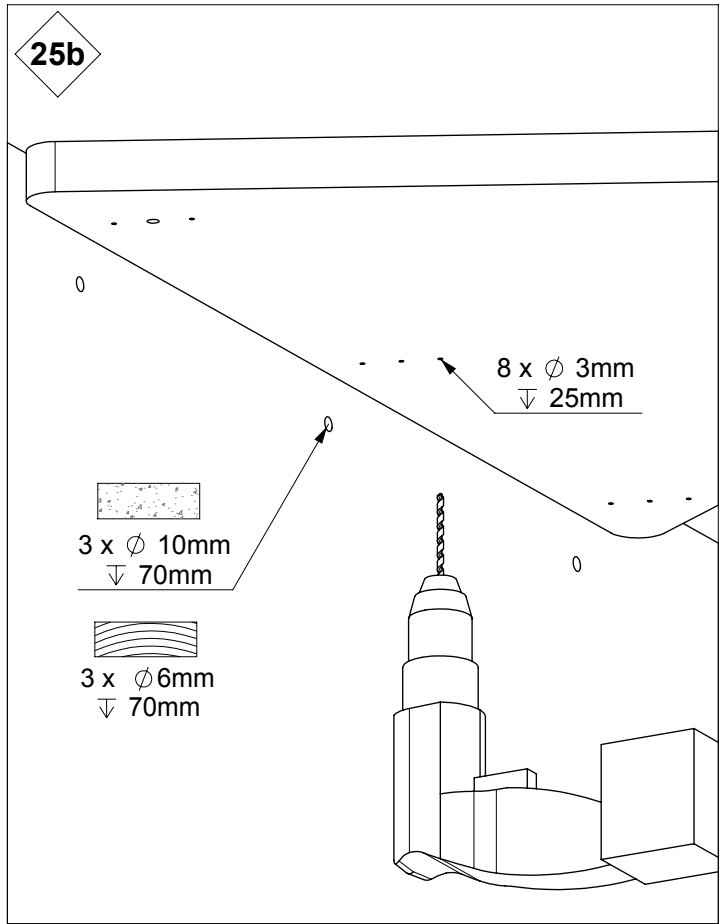
27a - 28b



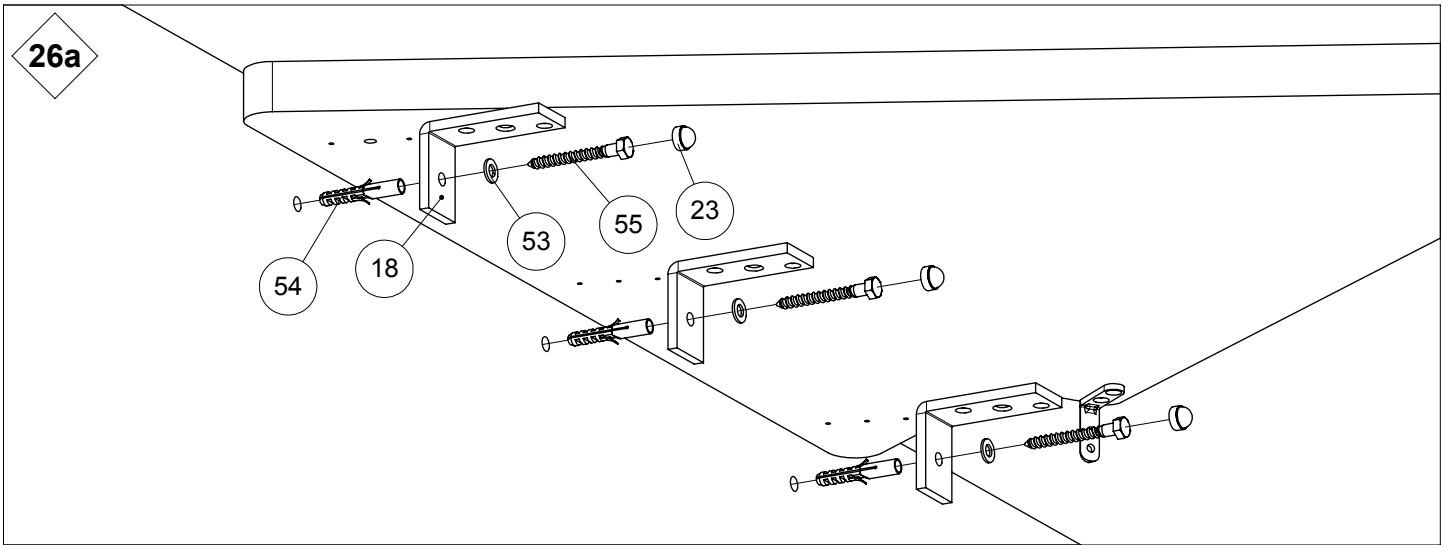
25a



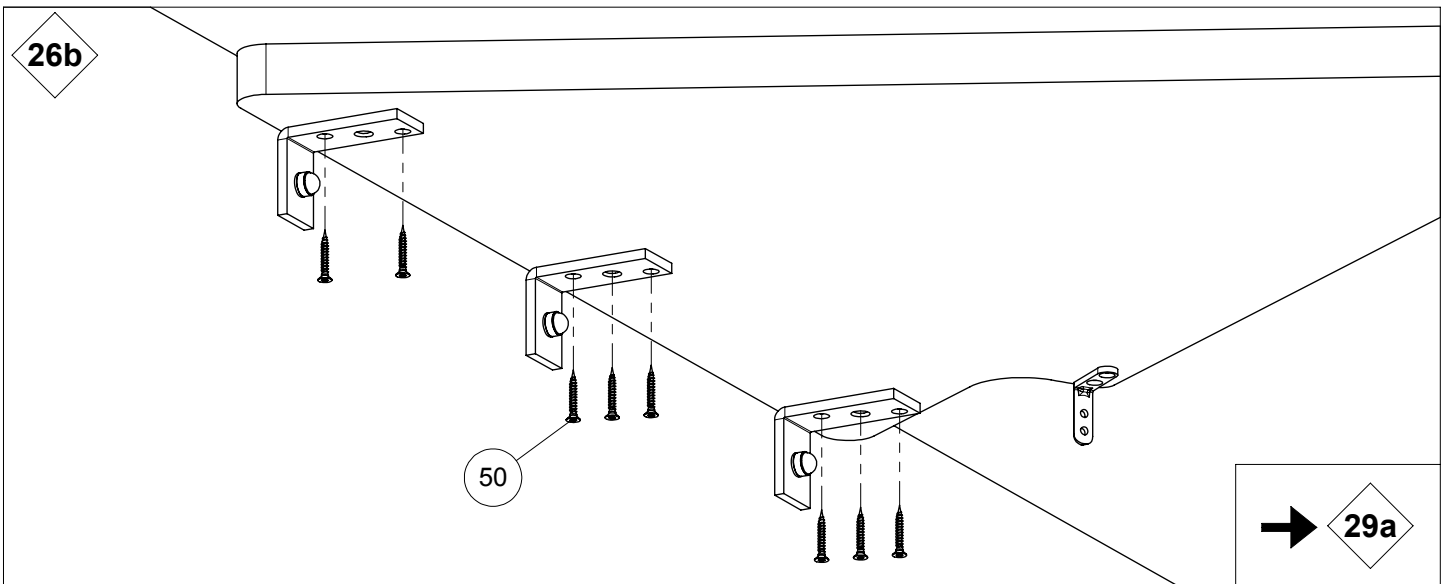
25b

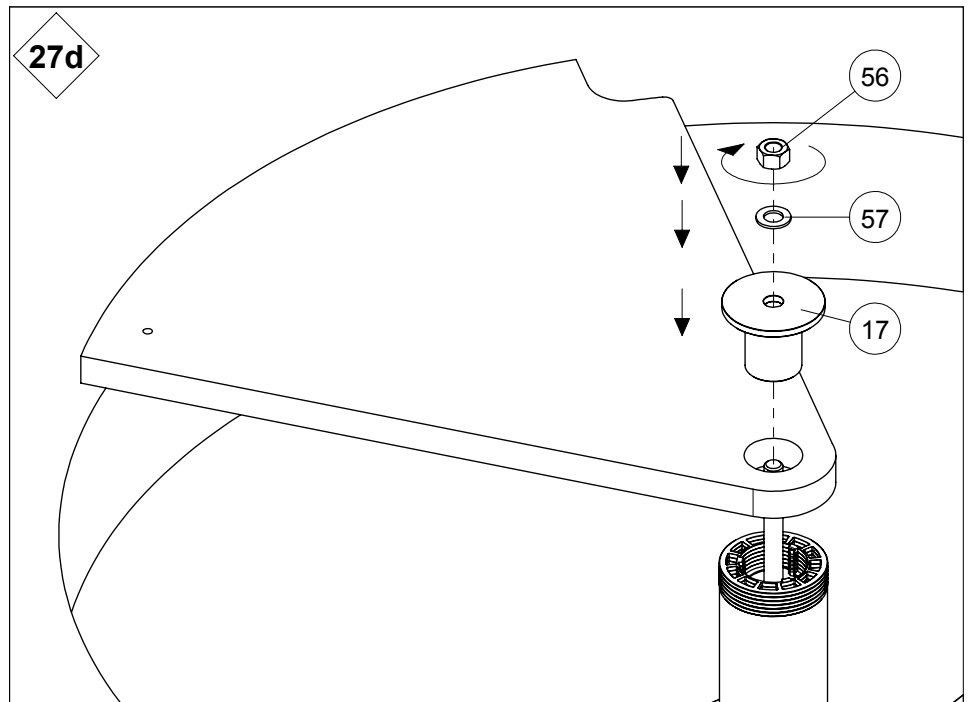
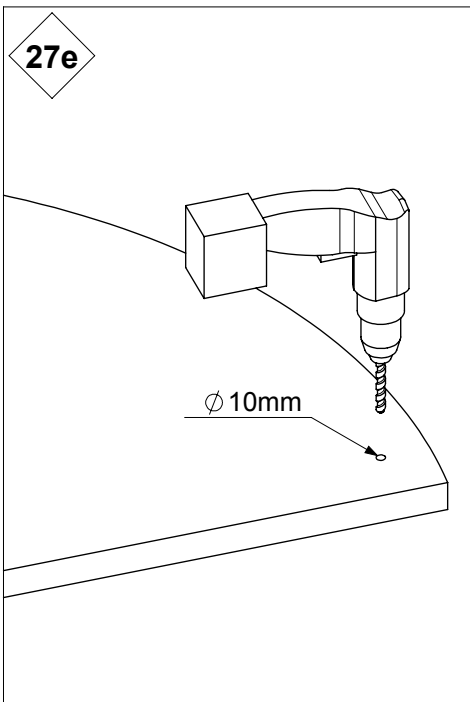
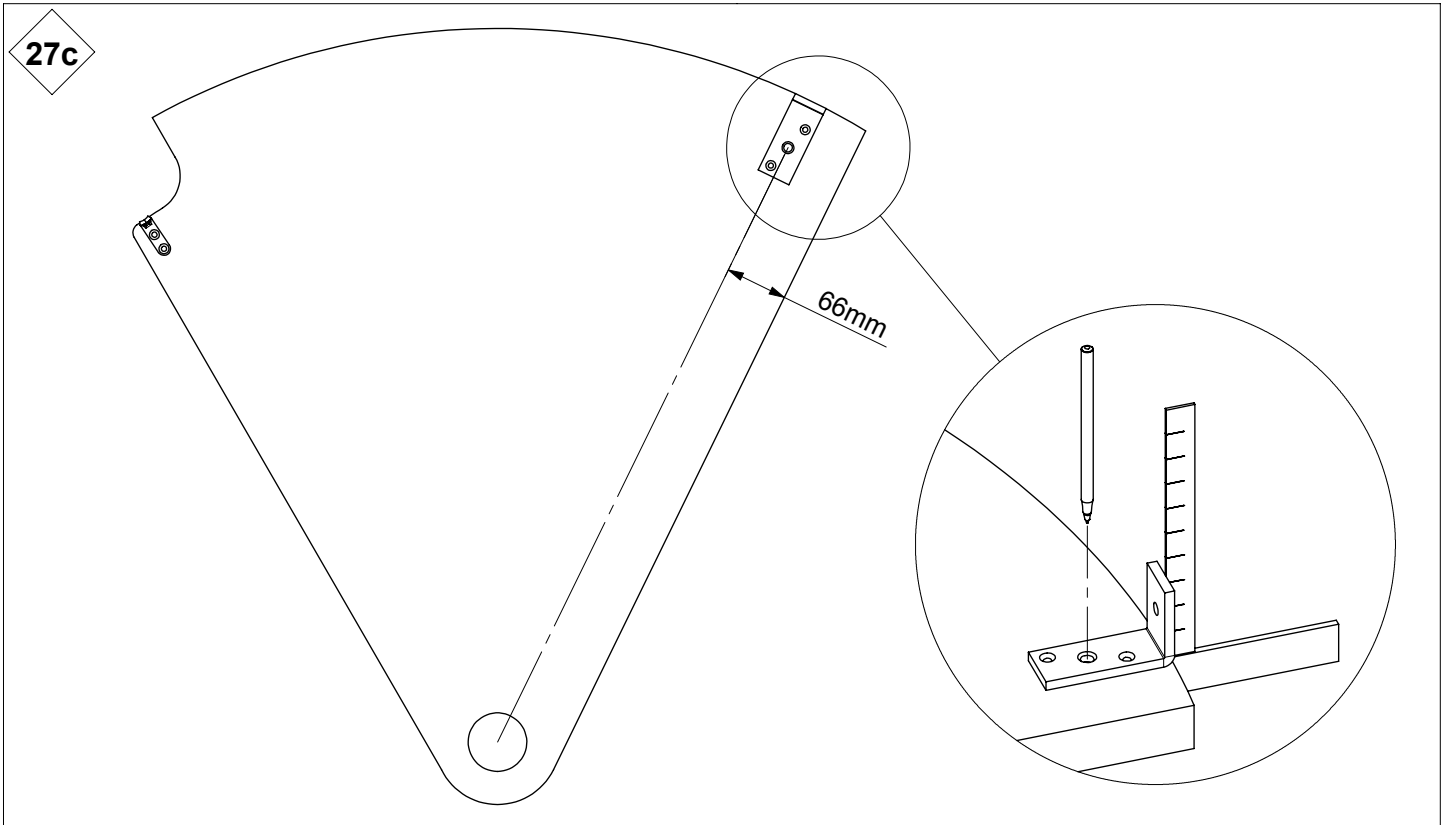
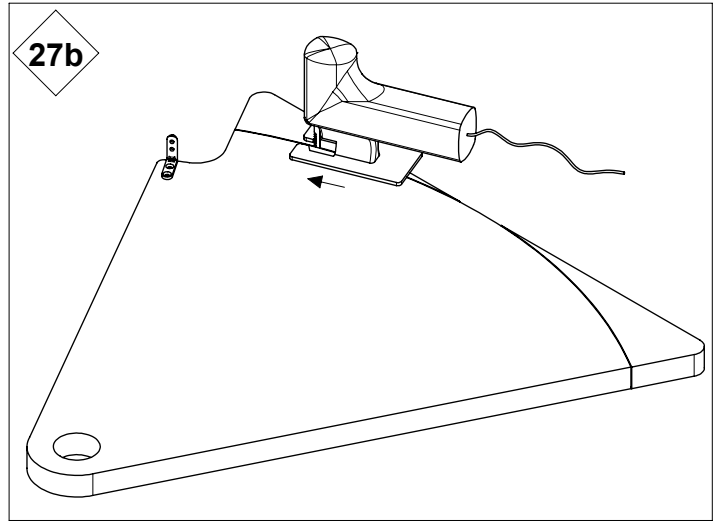
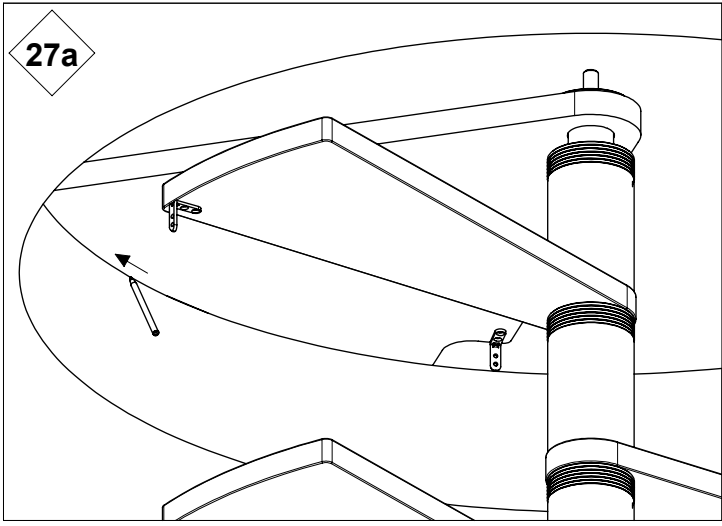


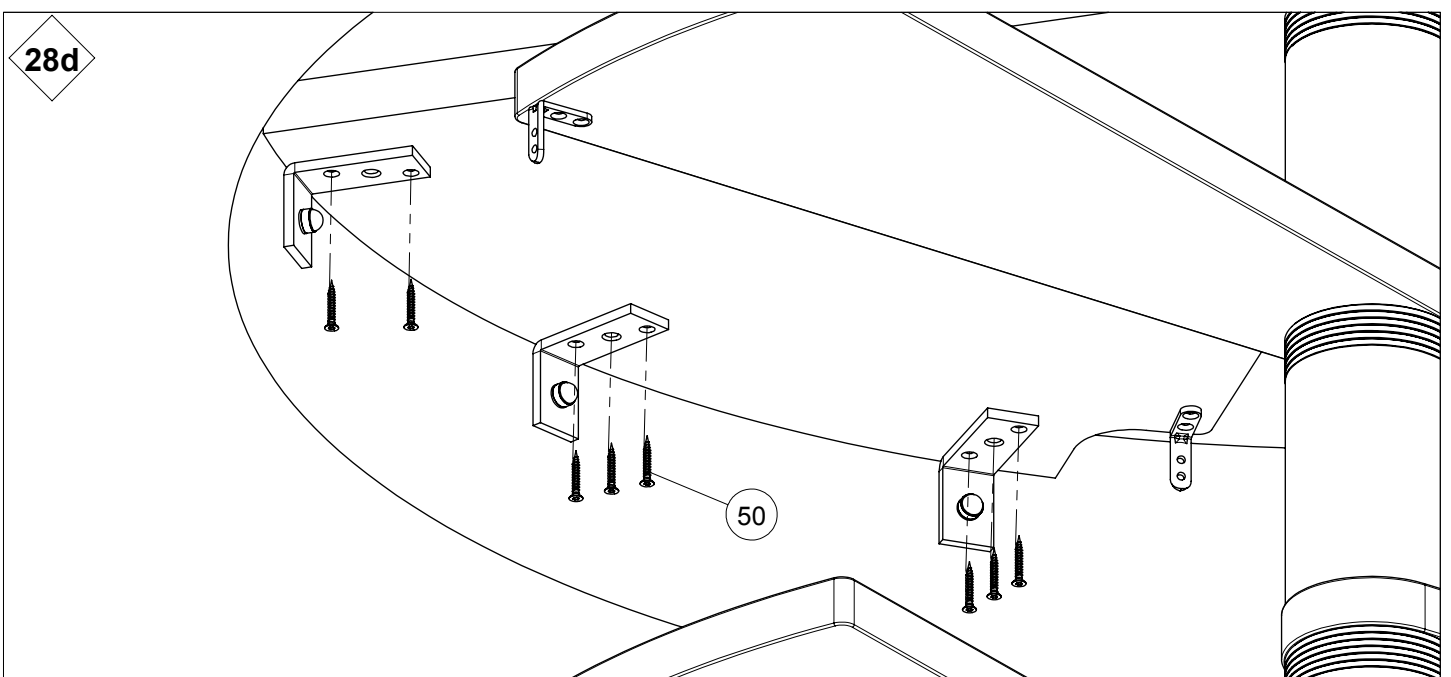
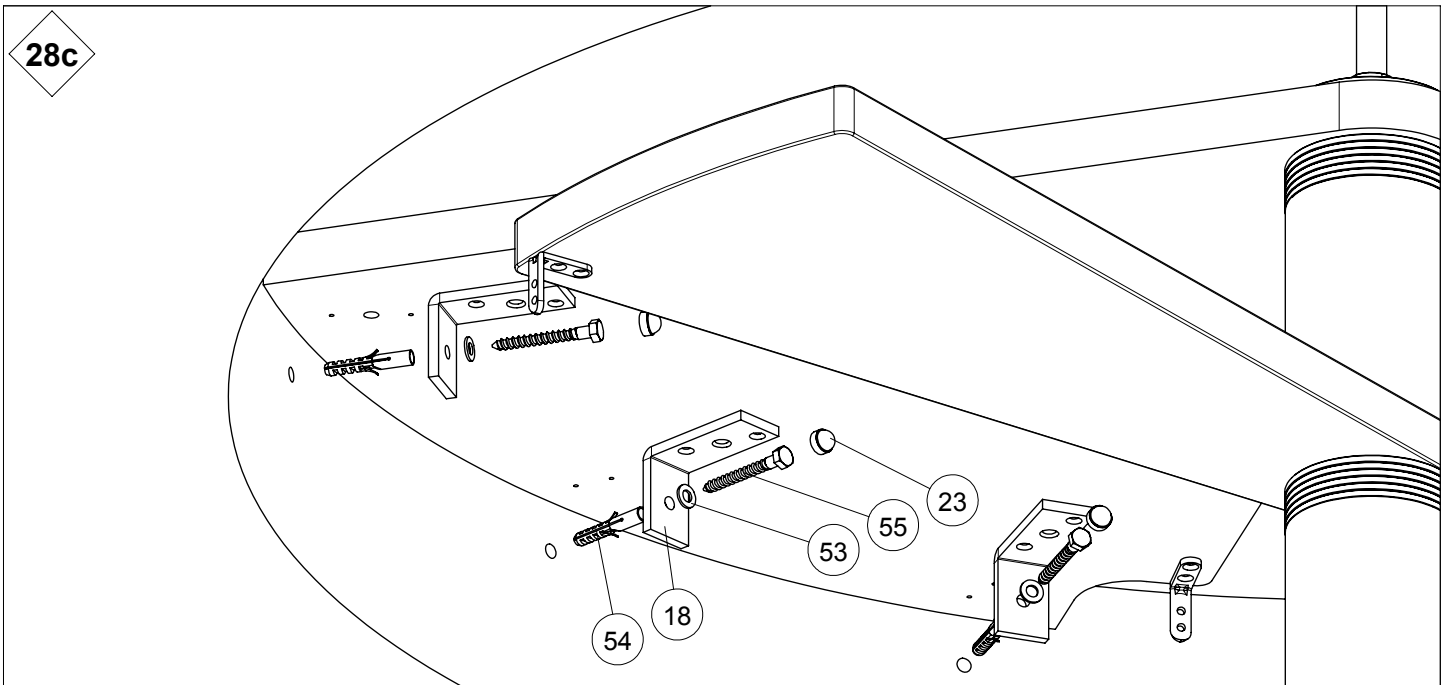
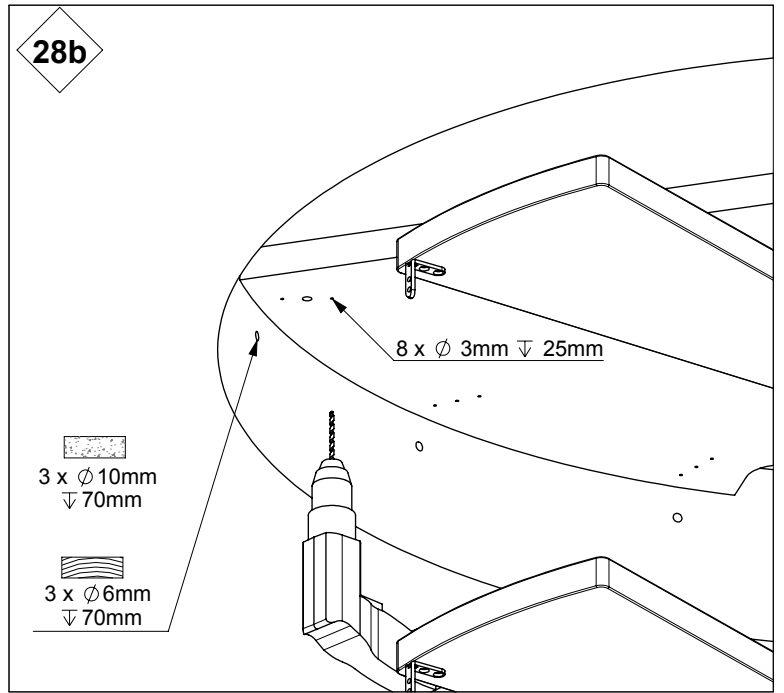
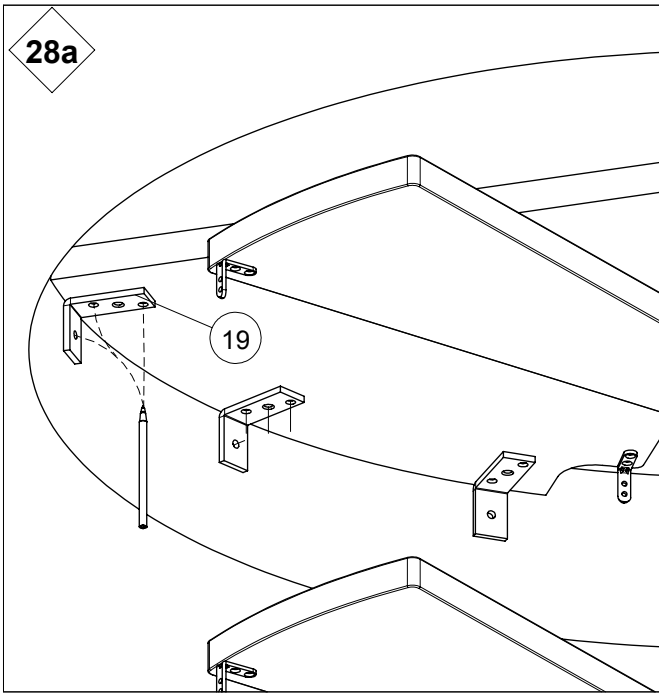
26a

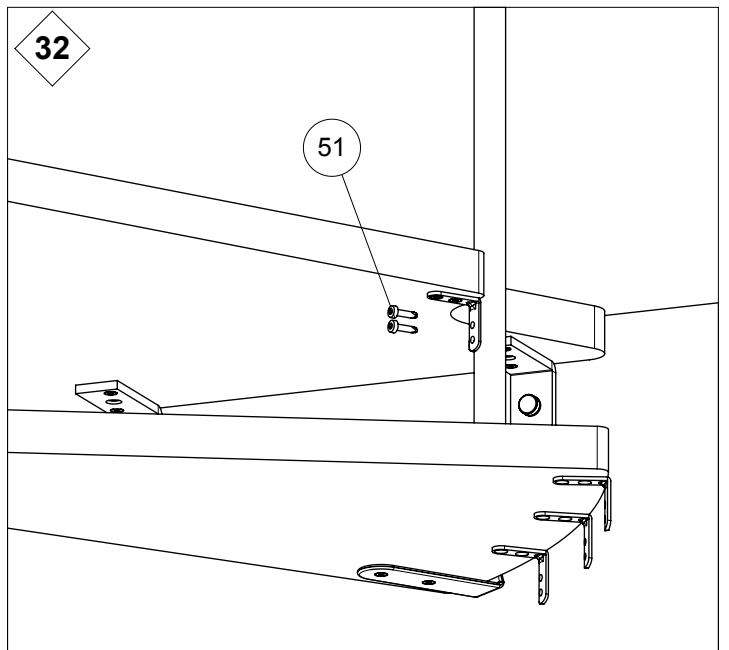
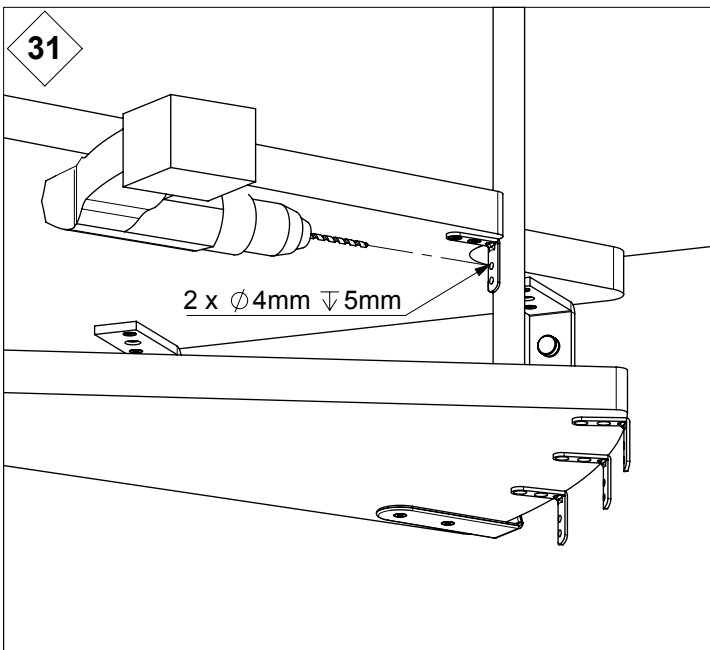
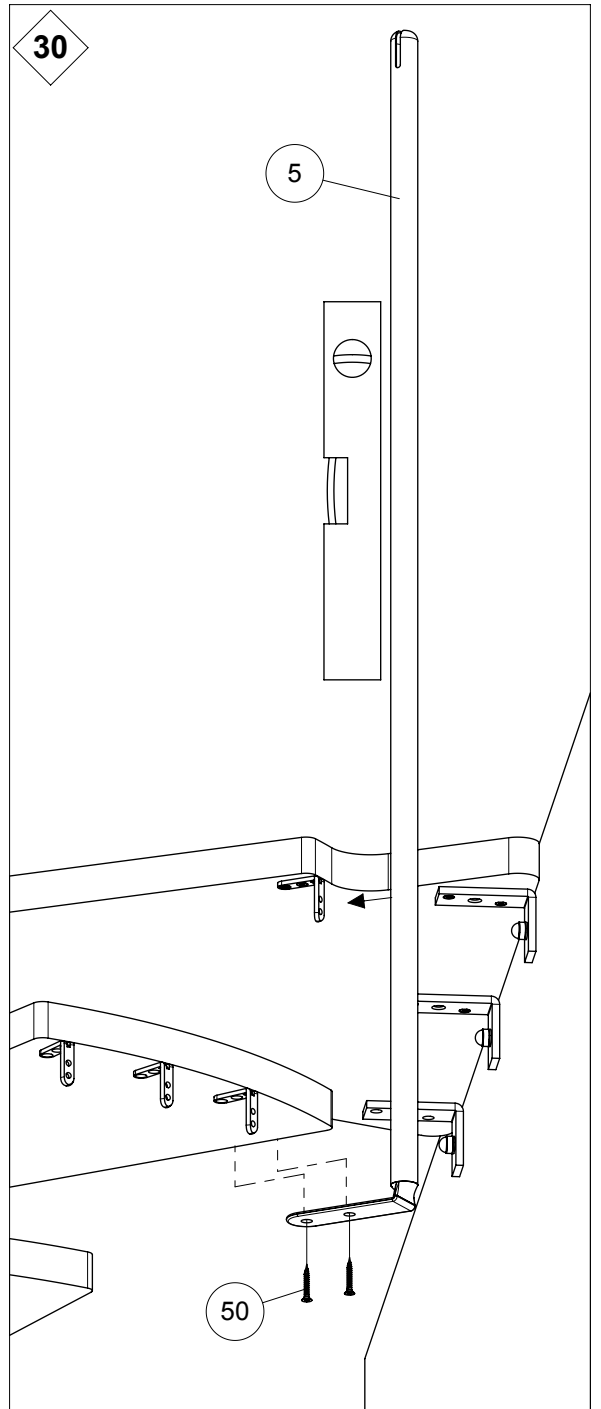
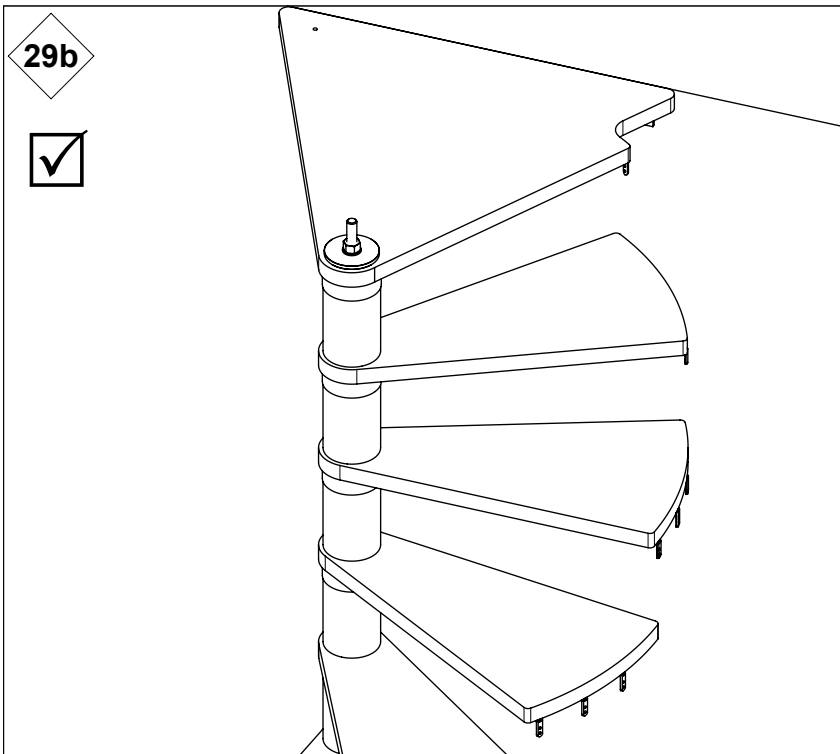
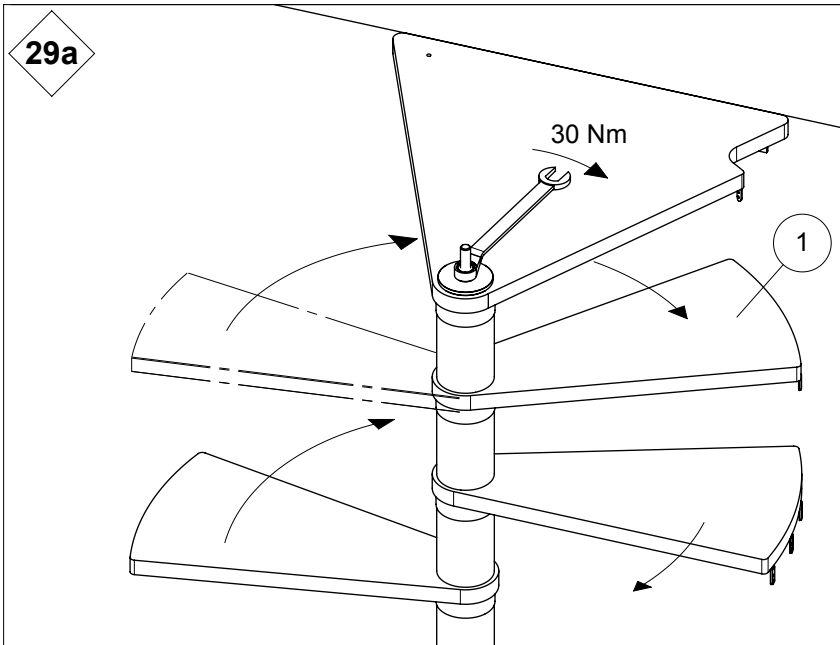


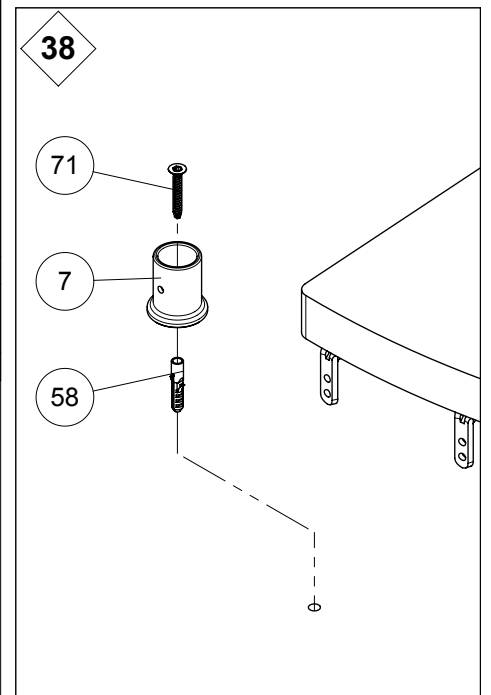
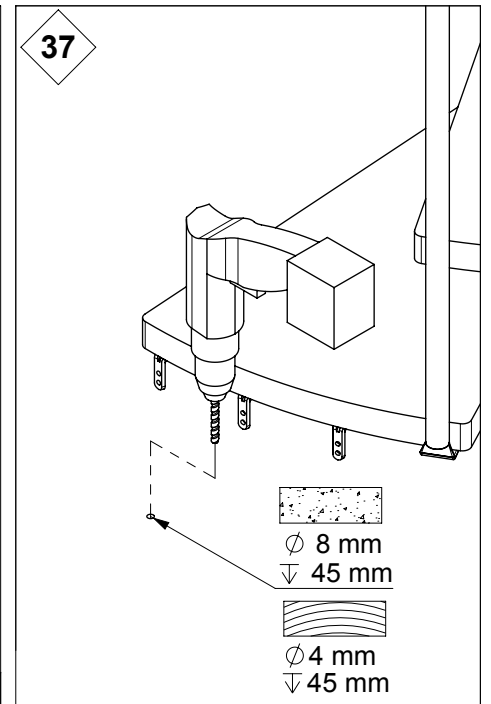
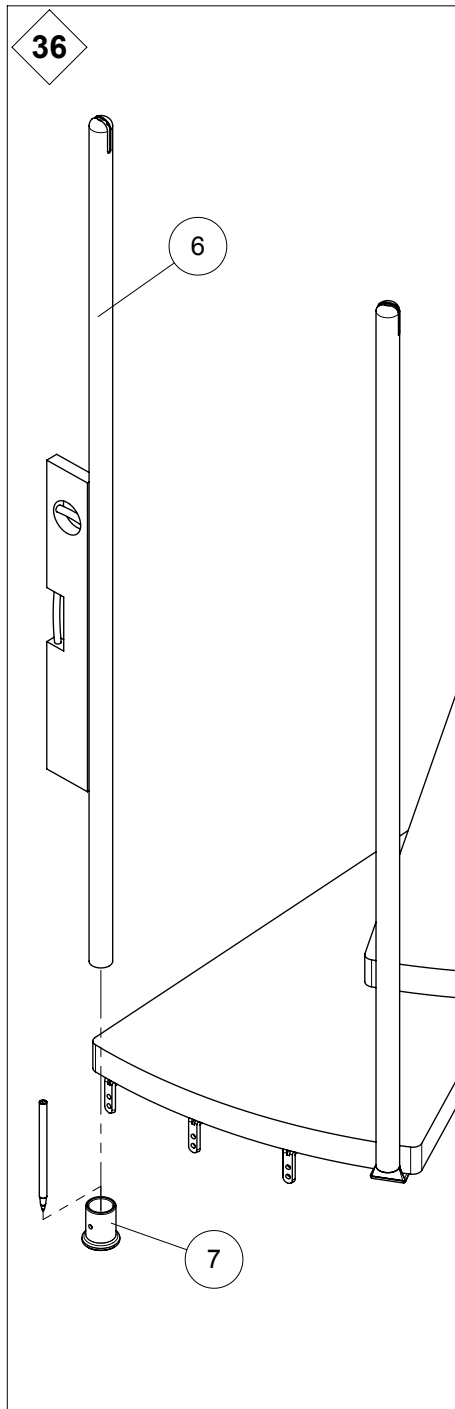
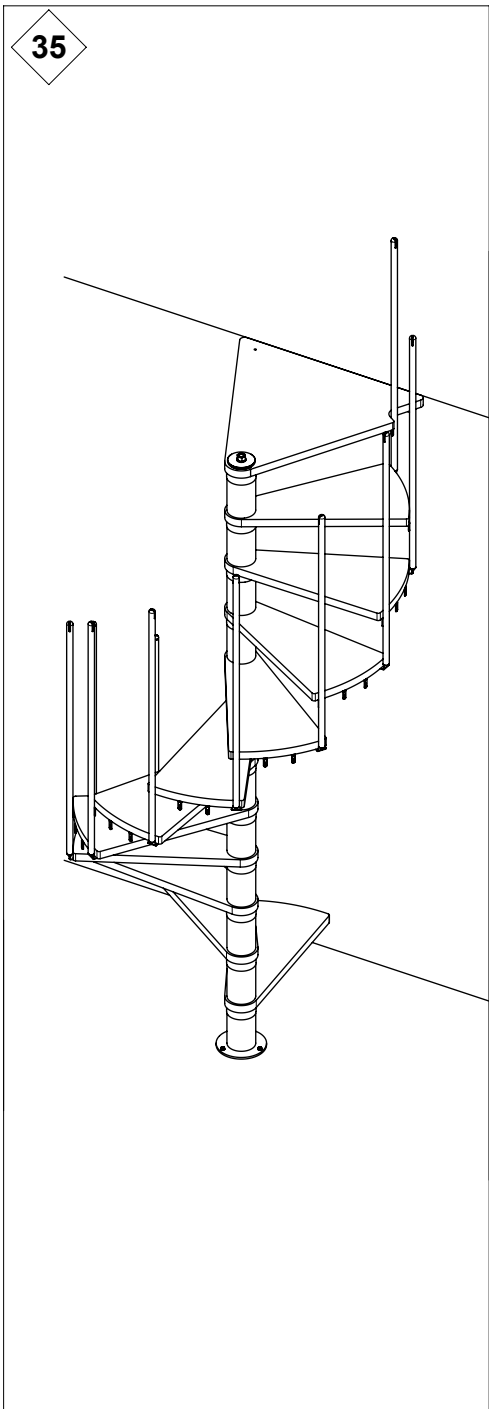
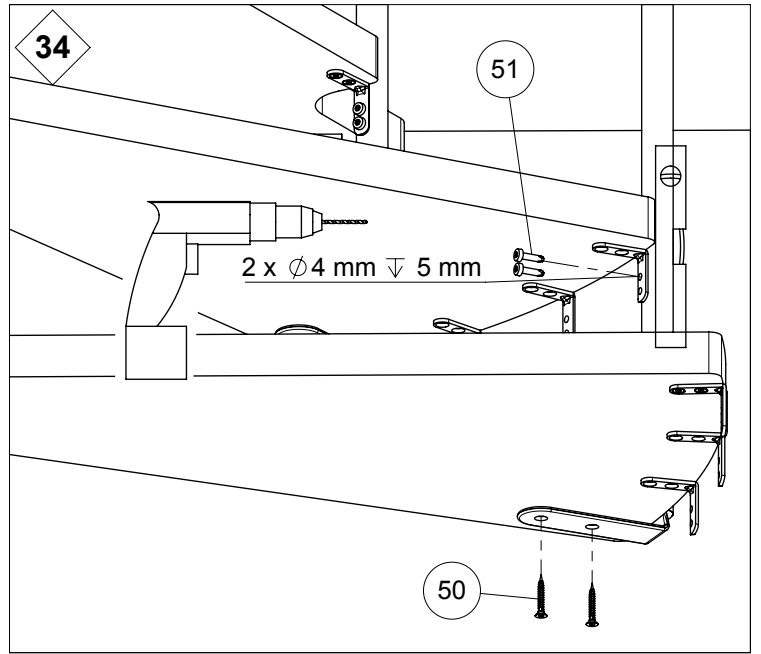
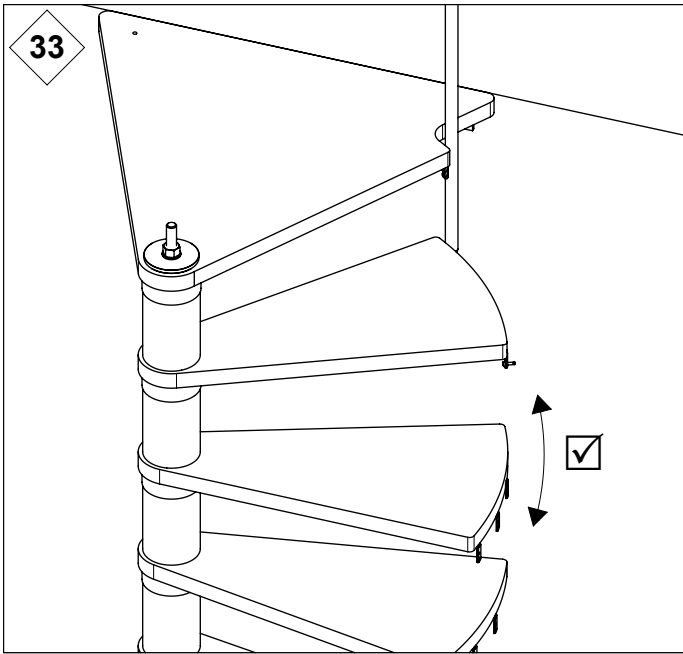
26b

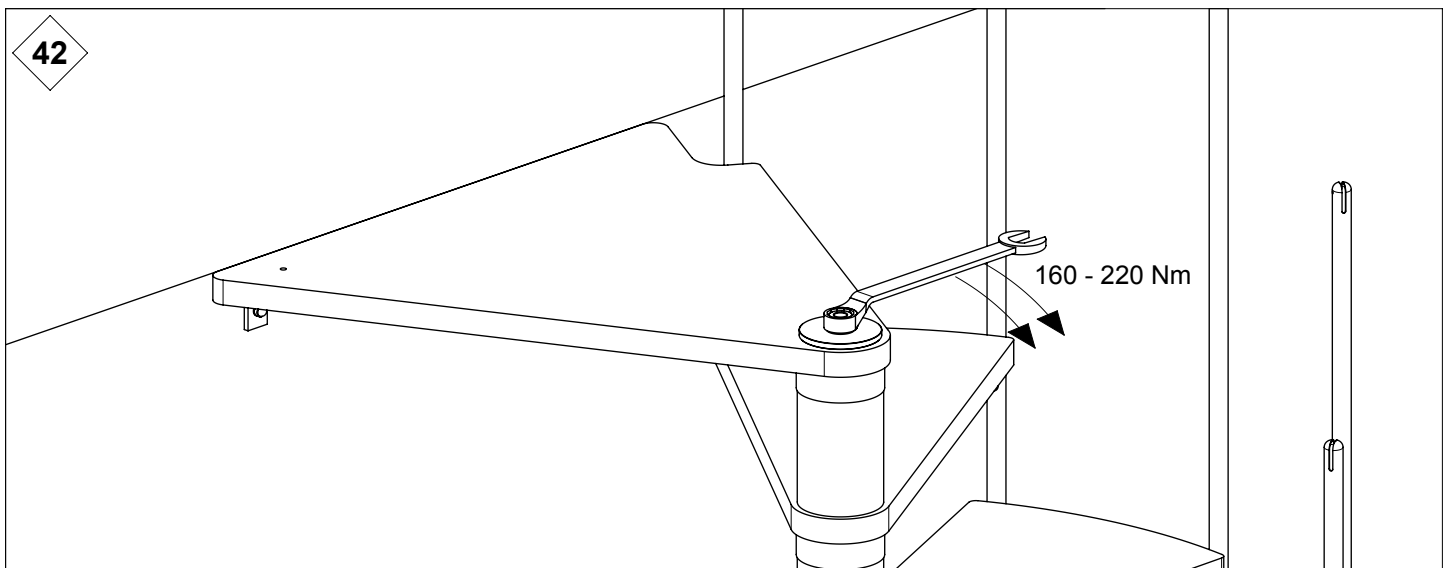
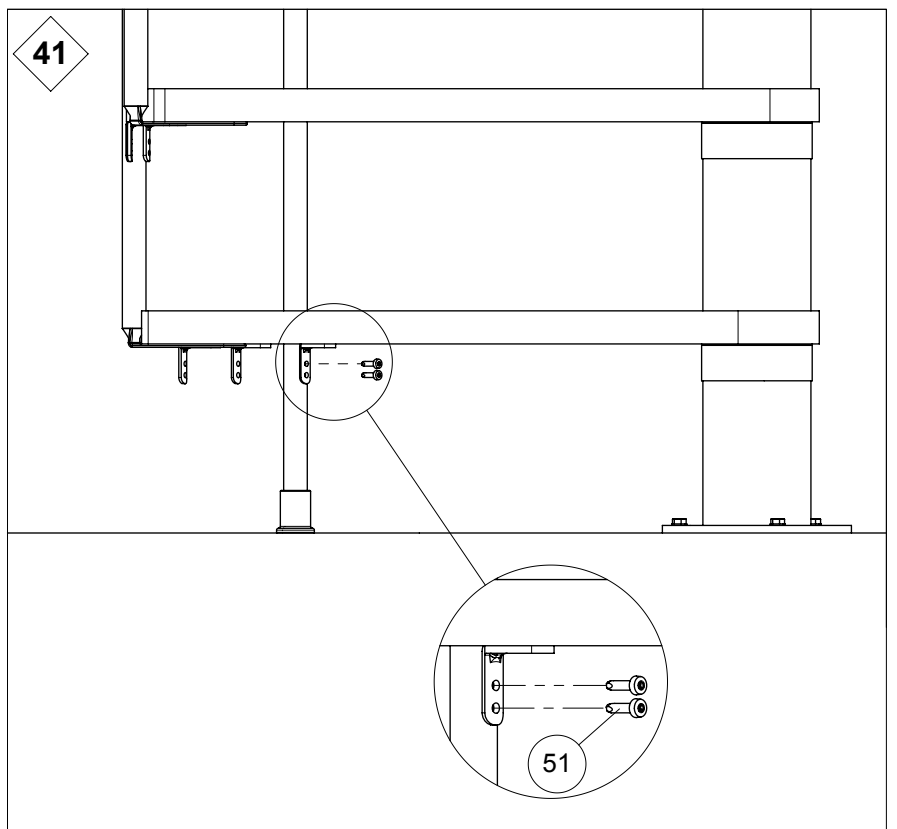
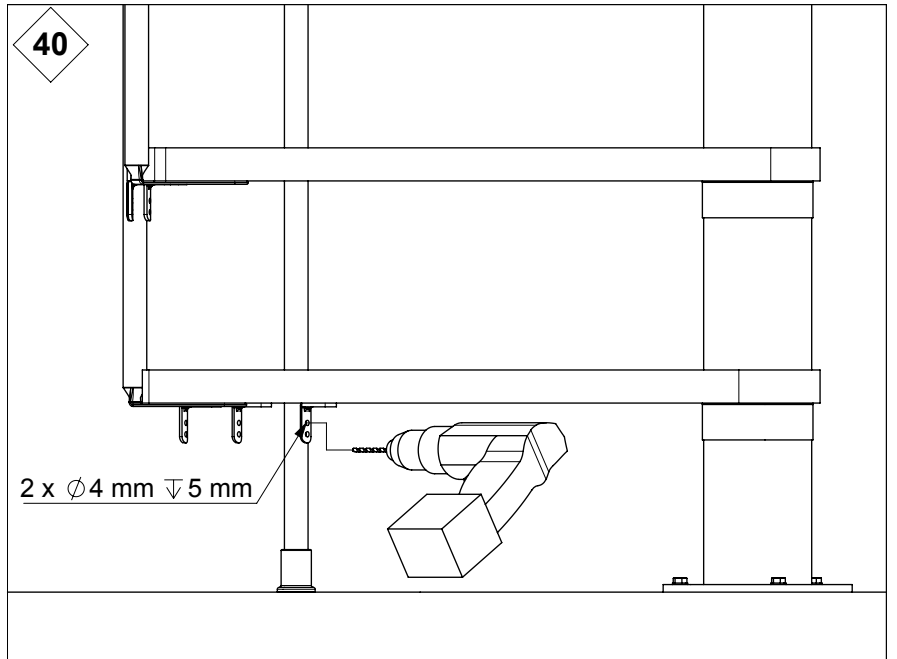
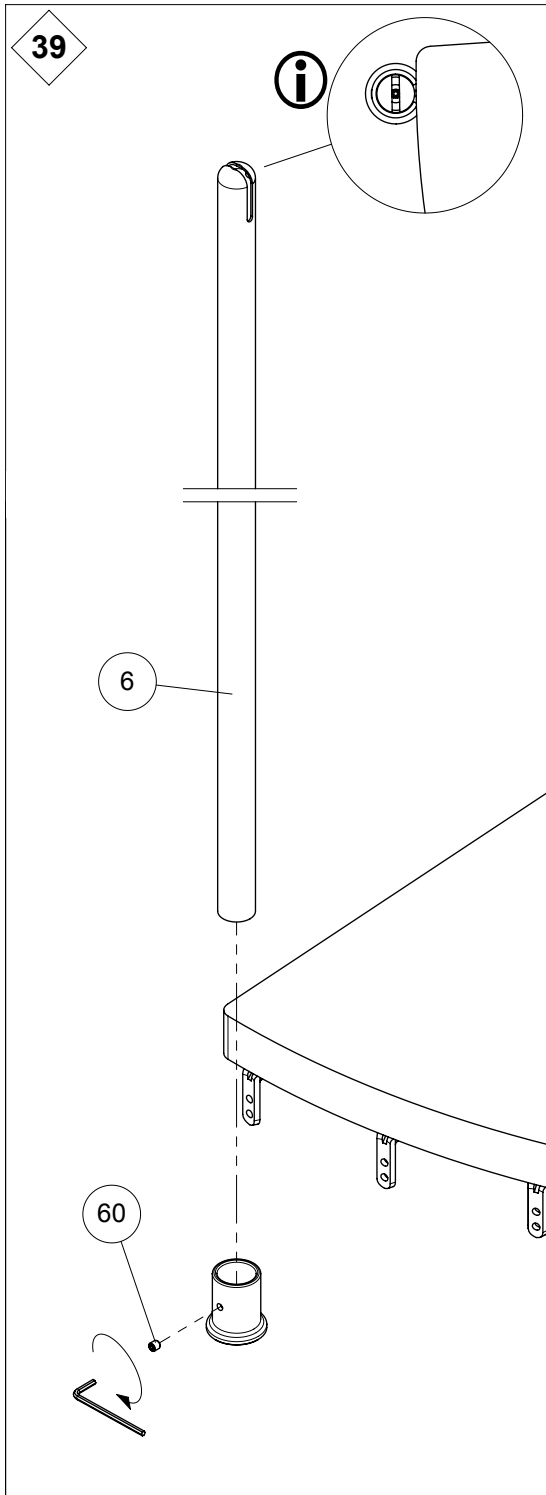


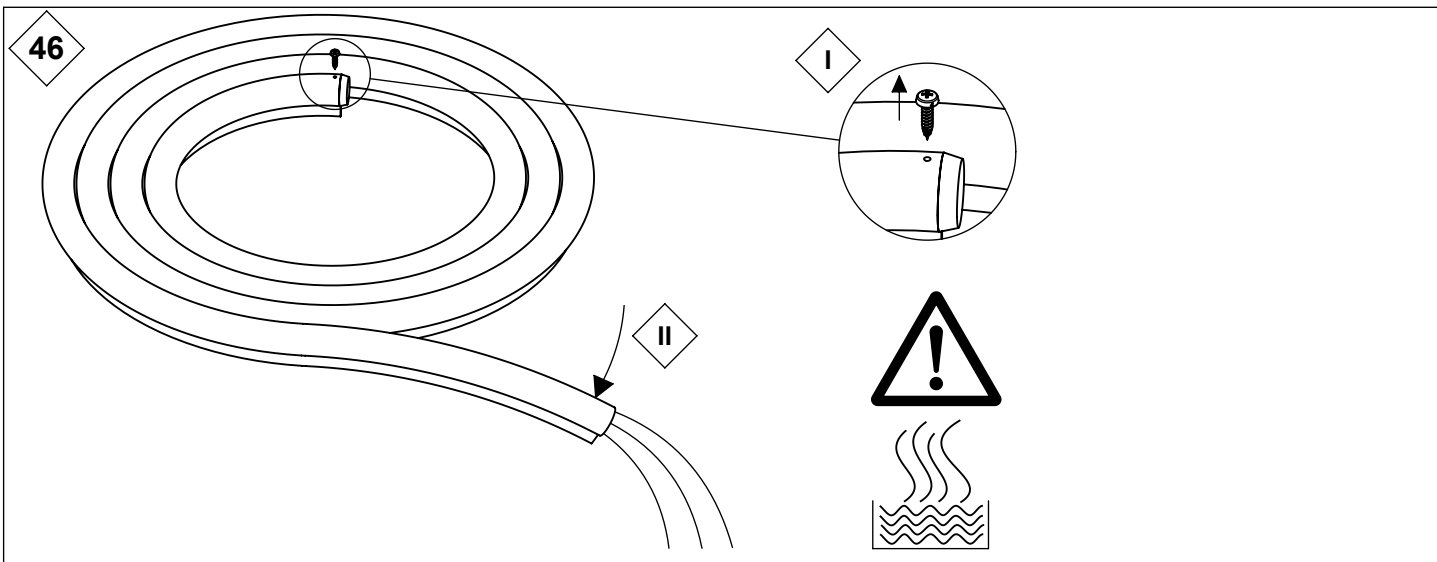
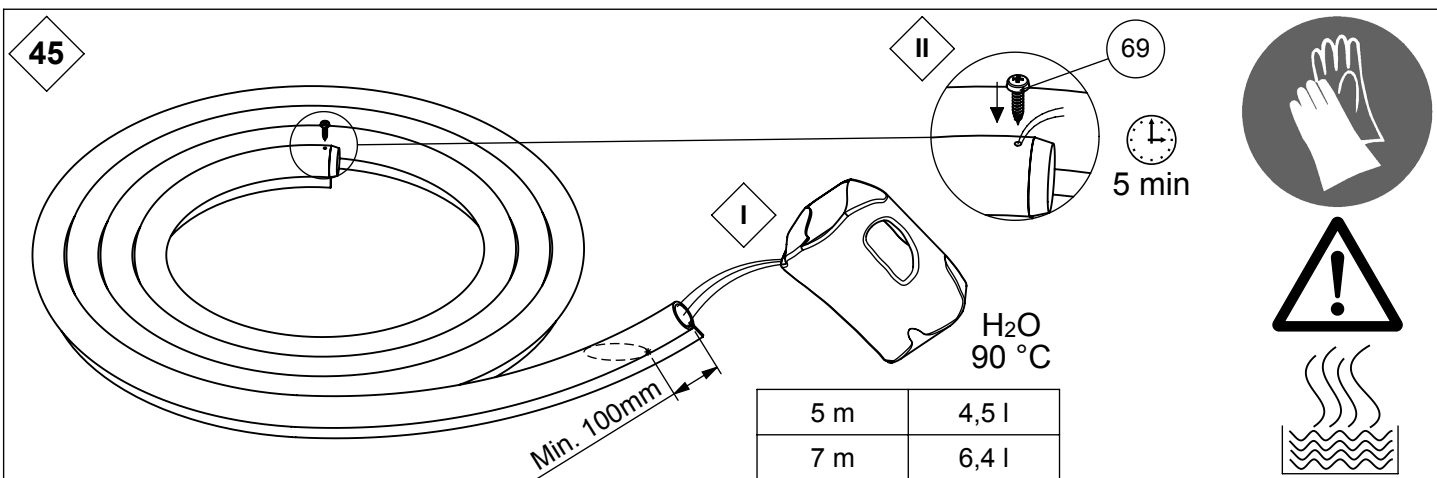
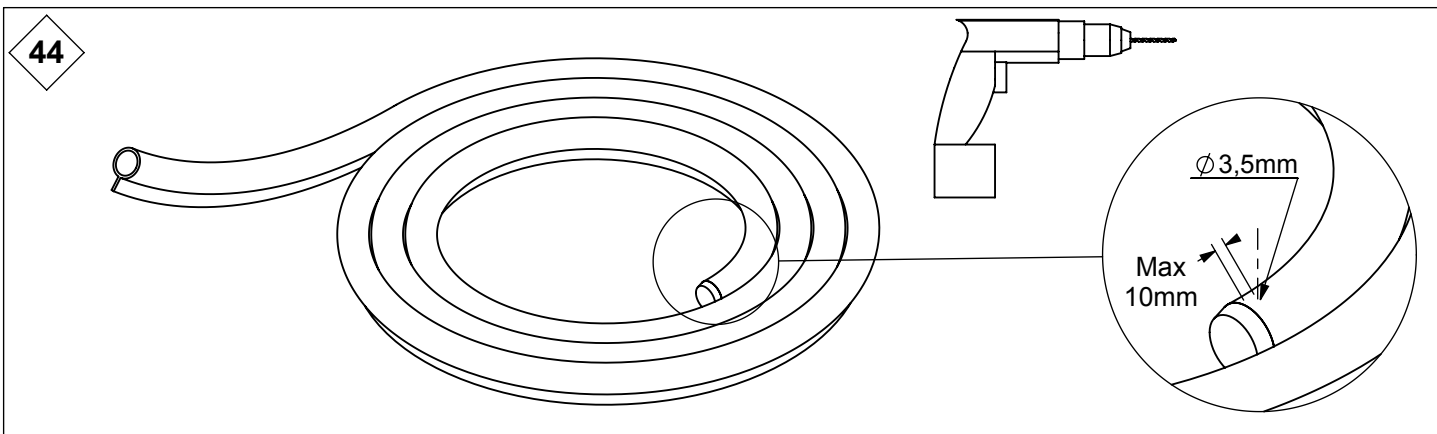
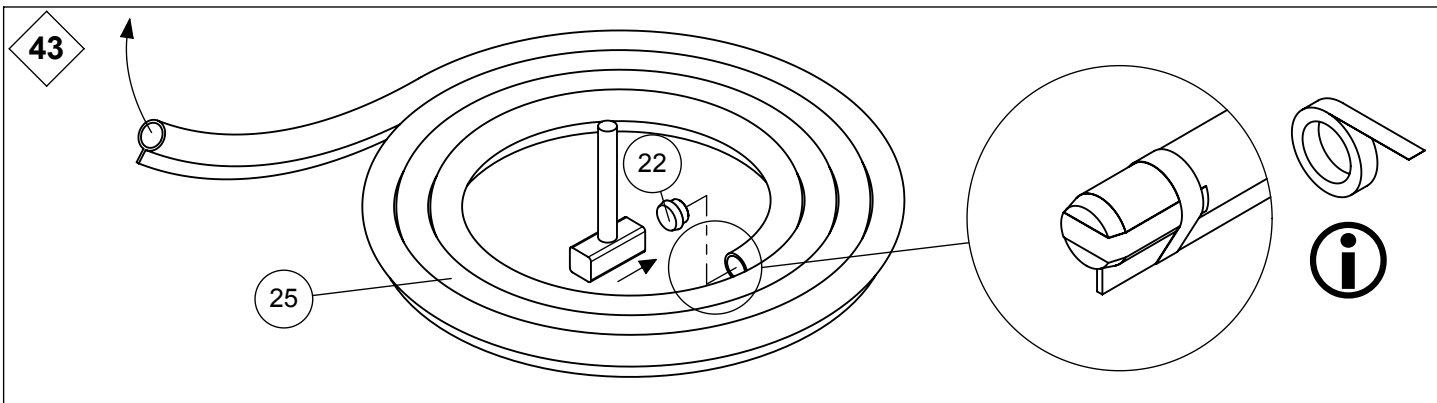
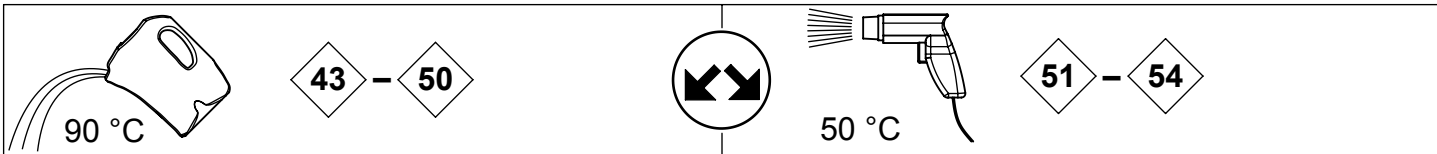


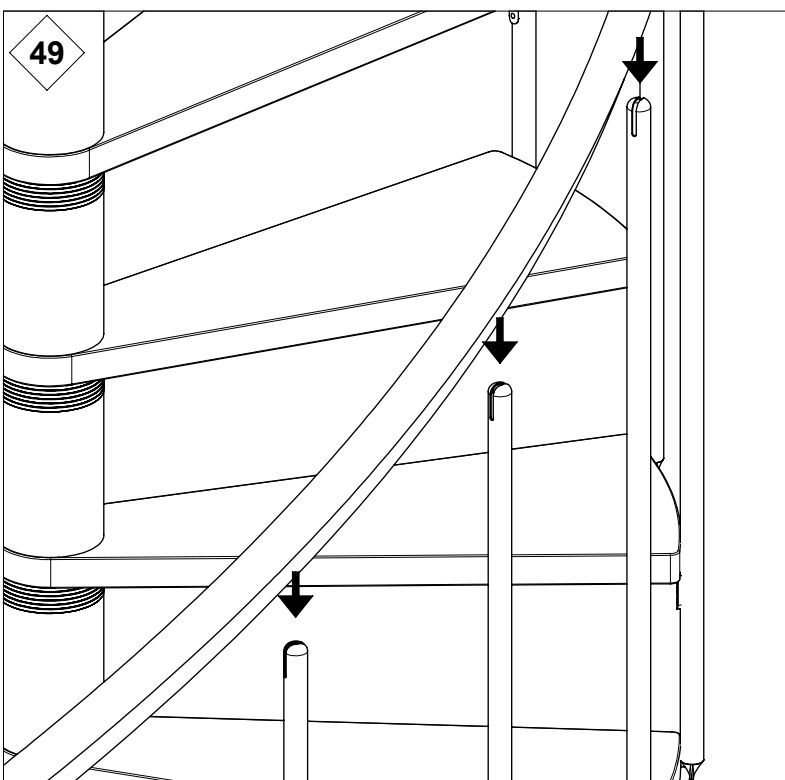
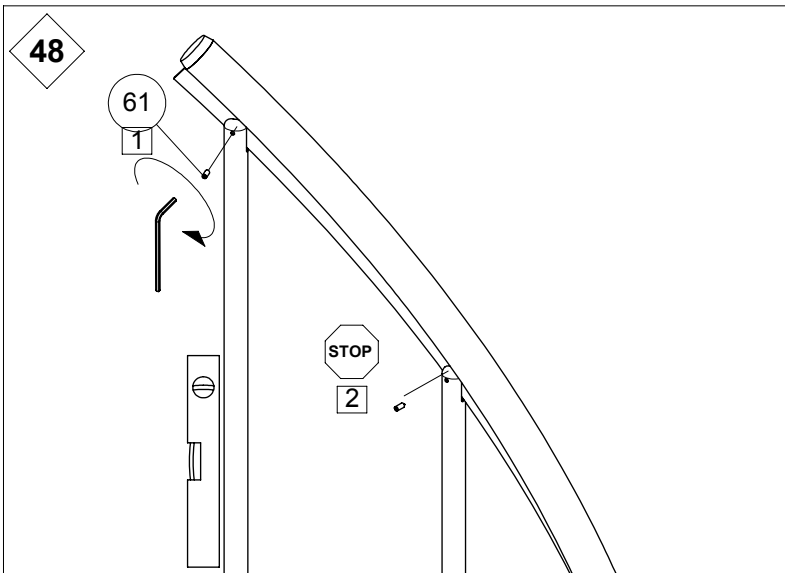
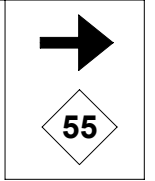
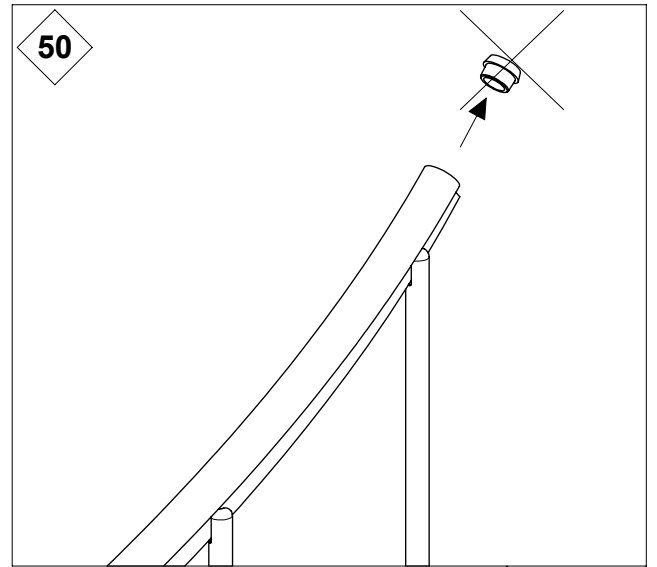
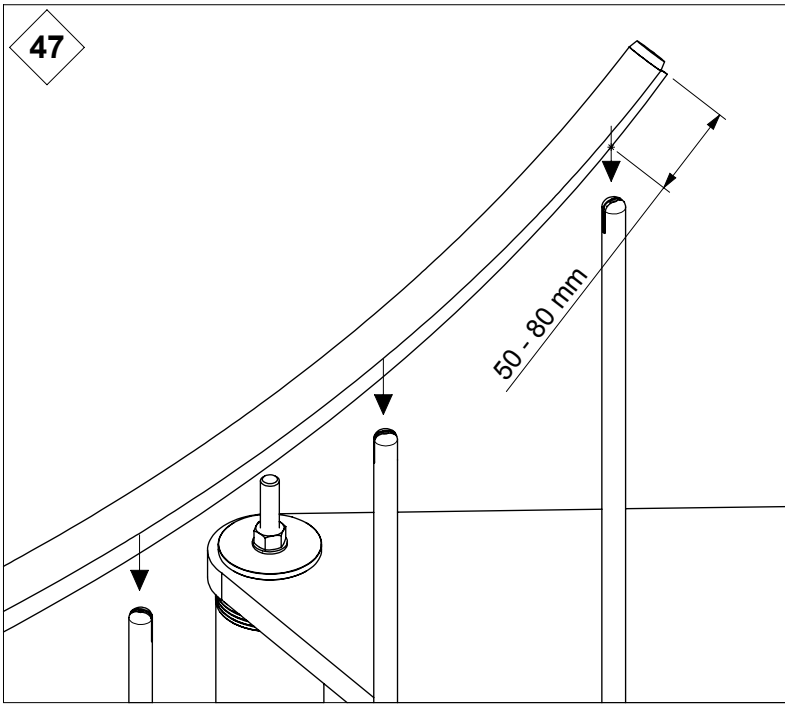


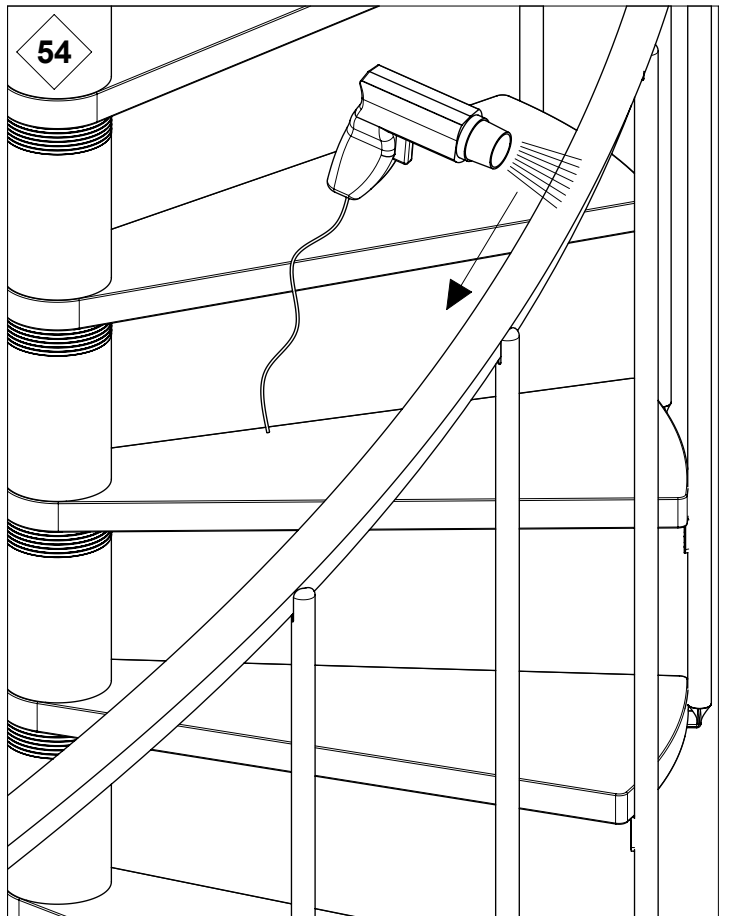
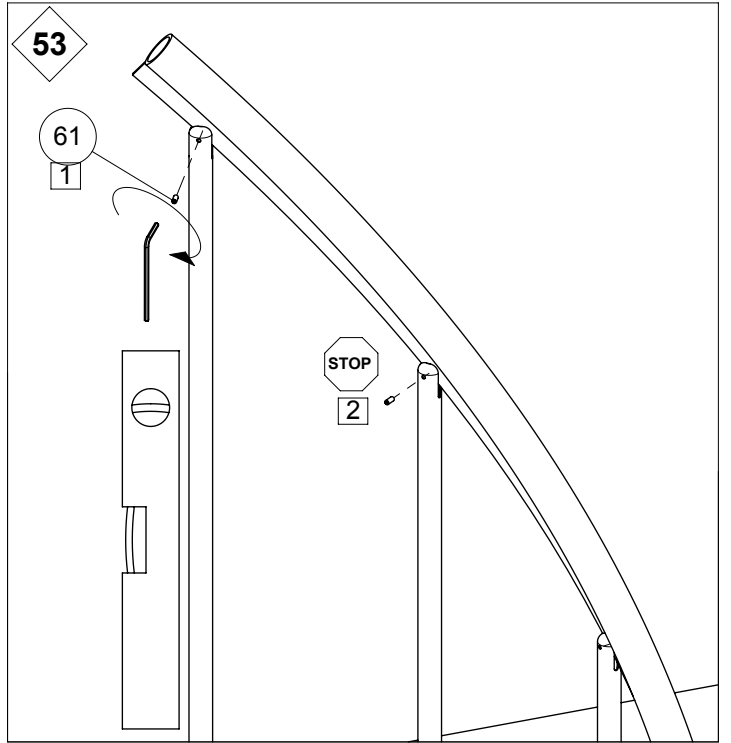
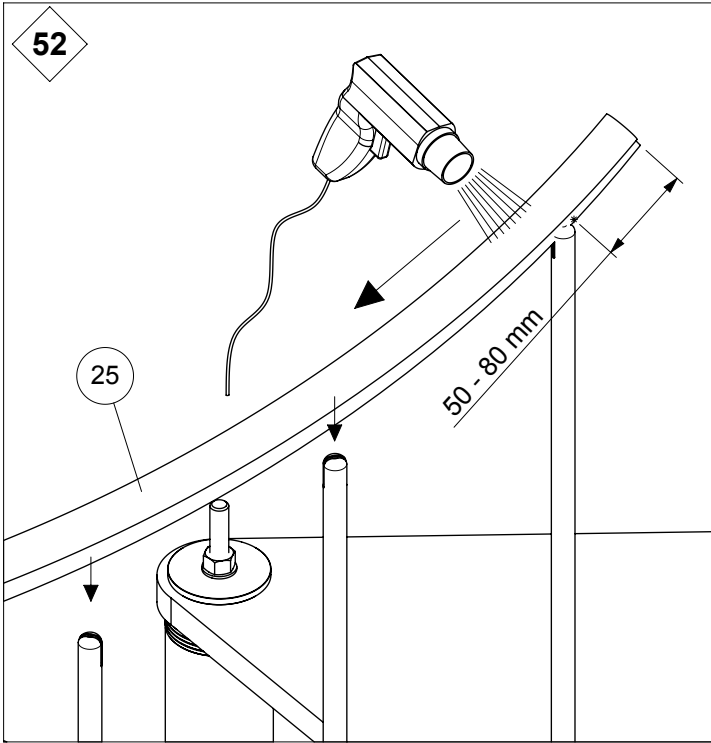
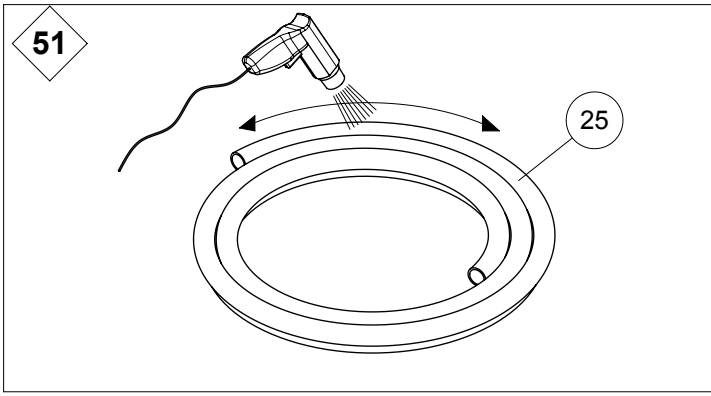




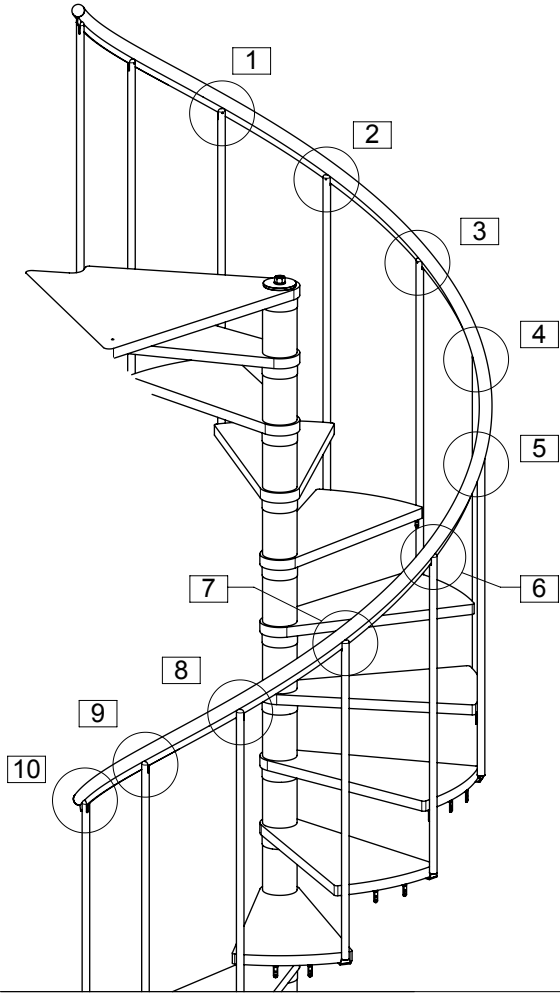




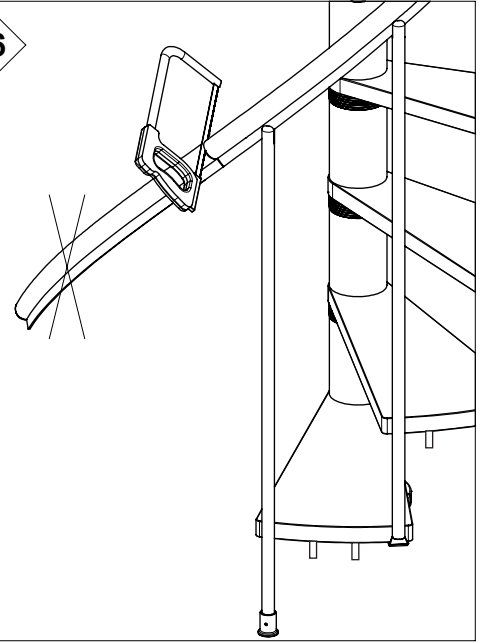




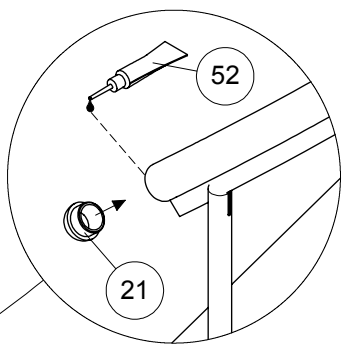
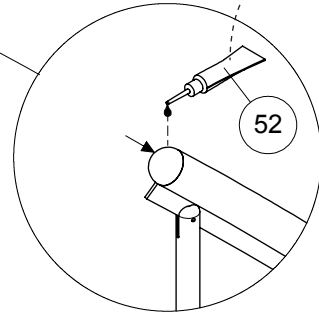
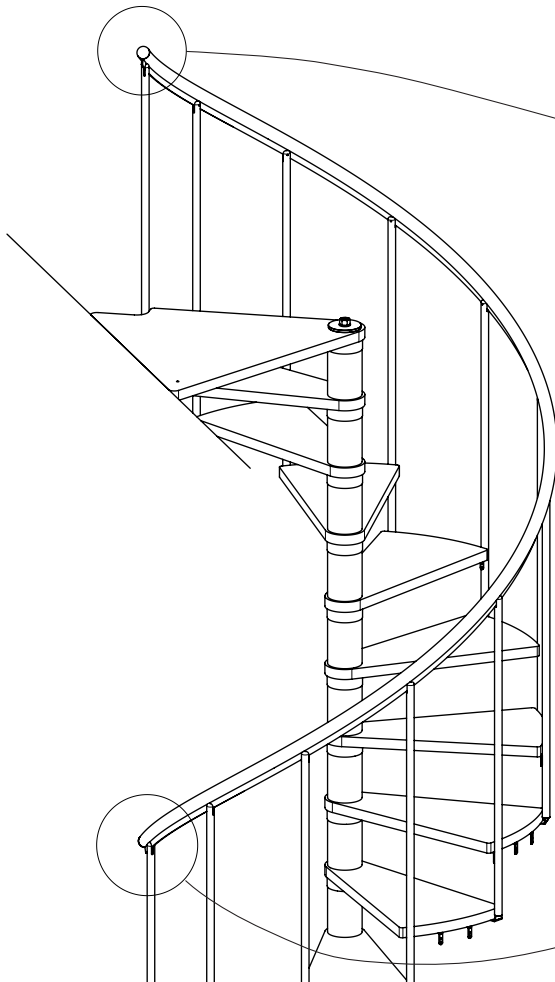
55

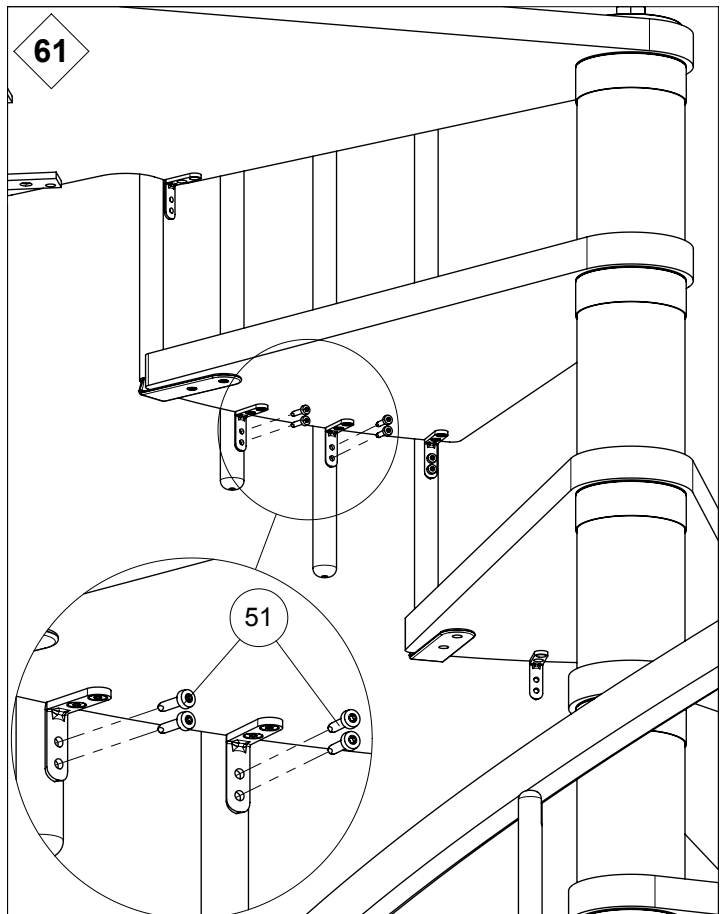
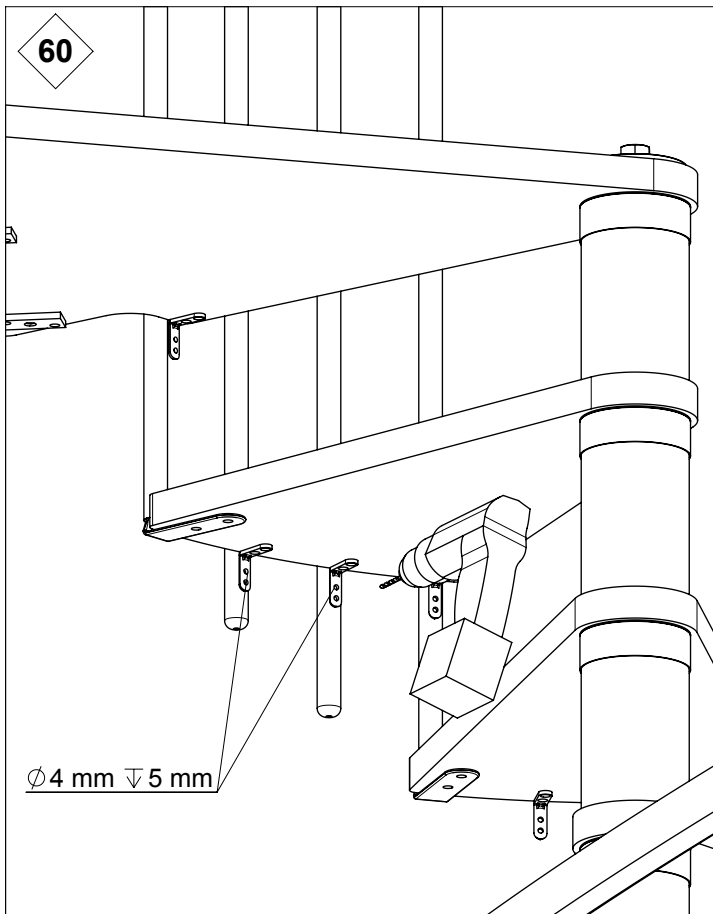
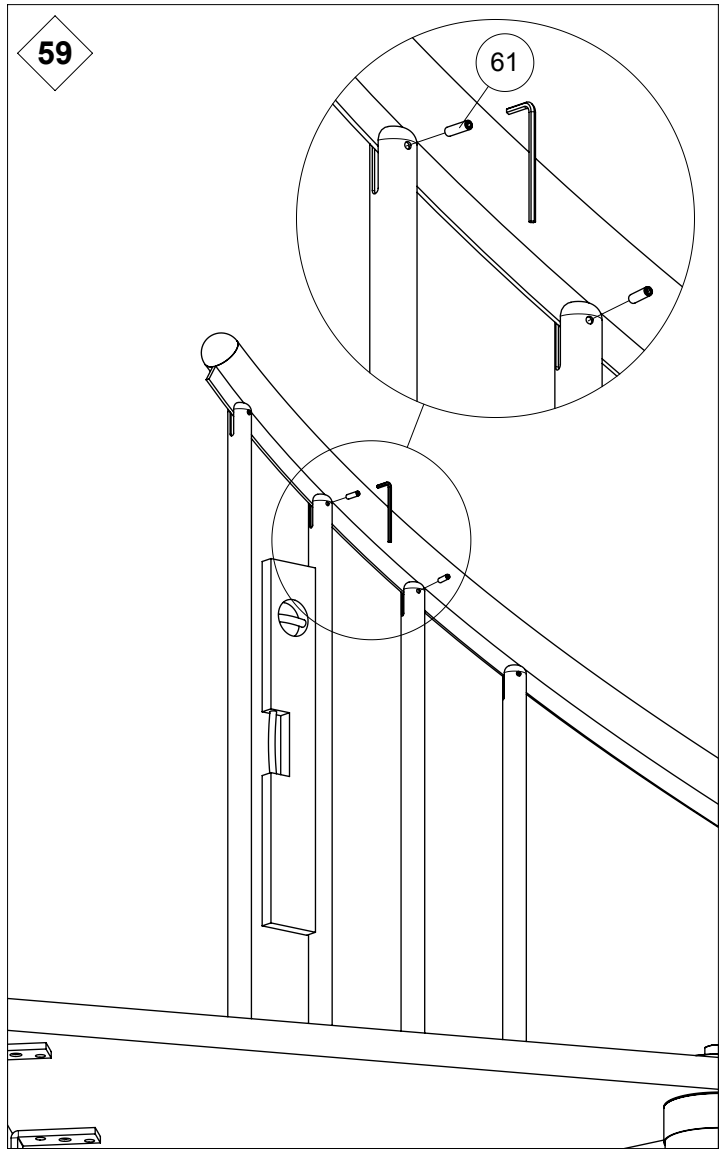
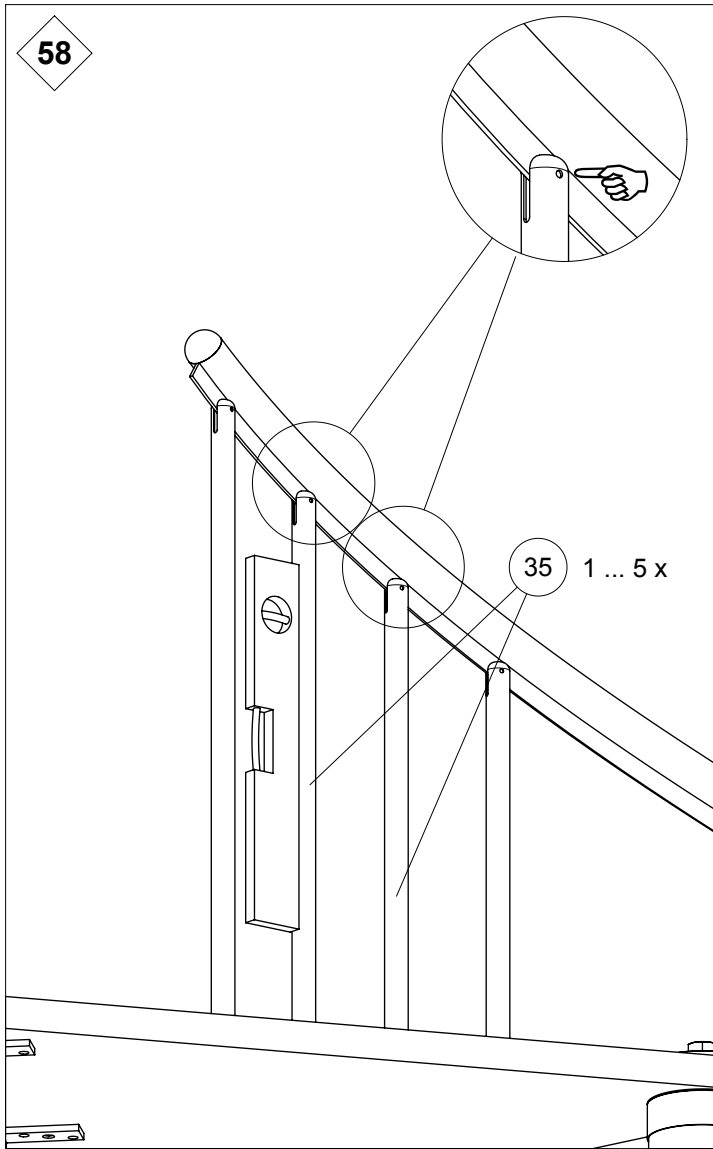


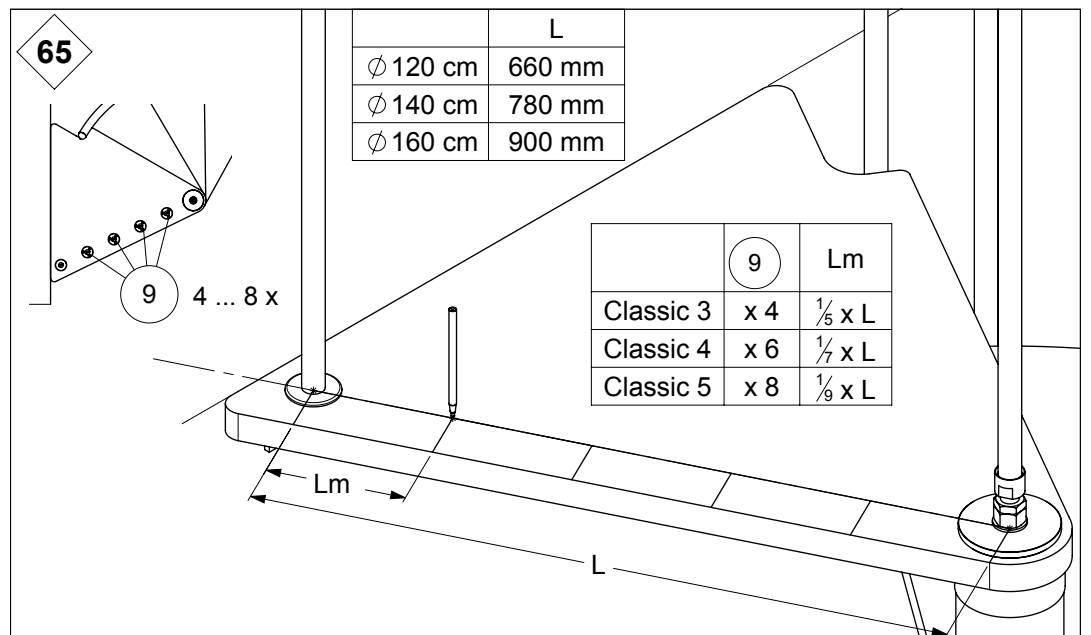
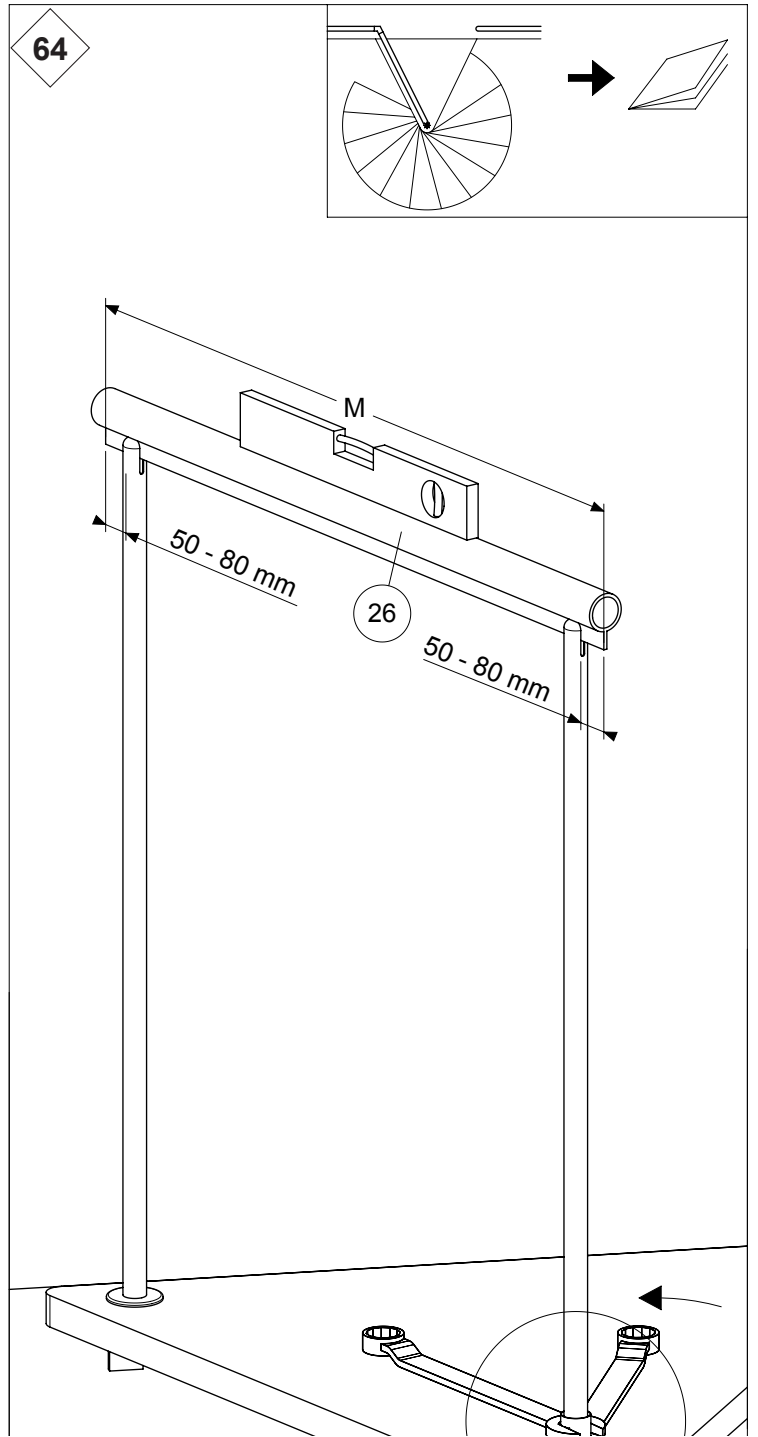
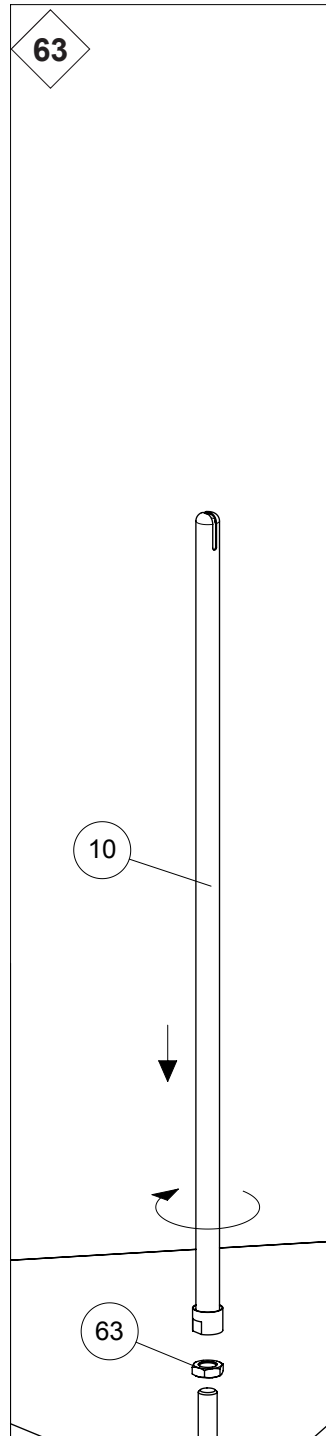
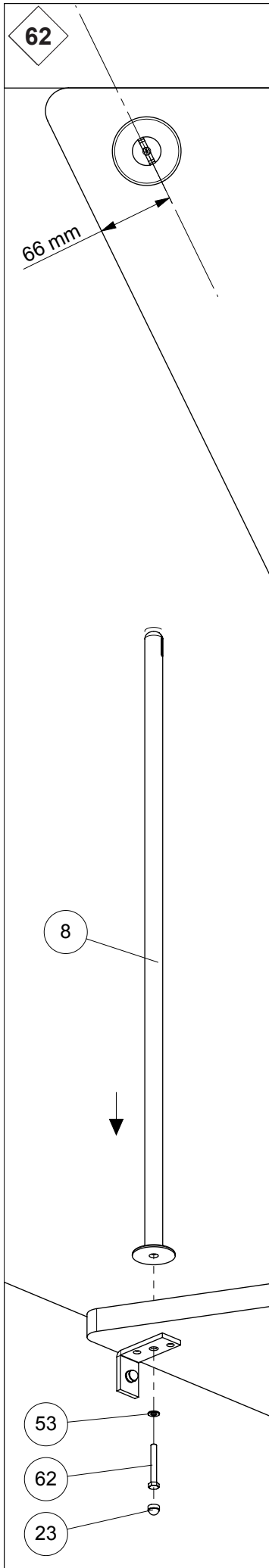
56

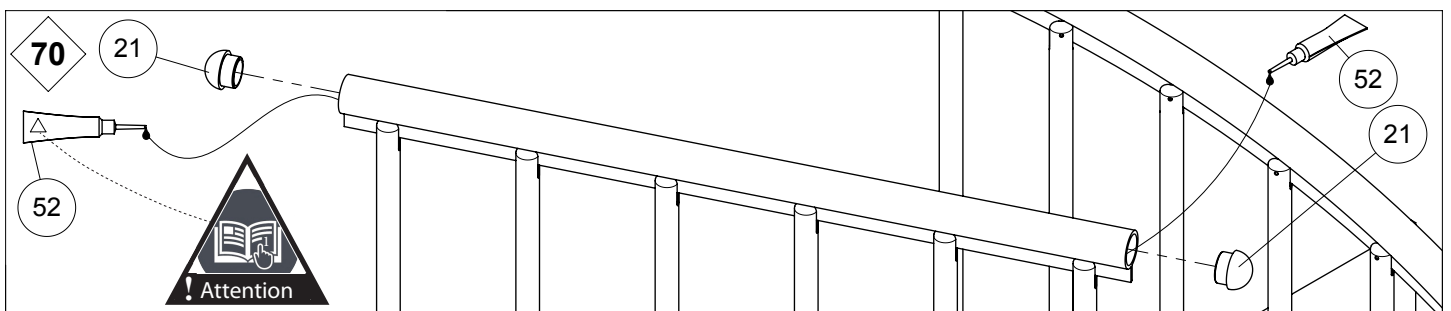
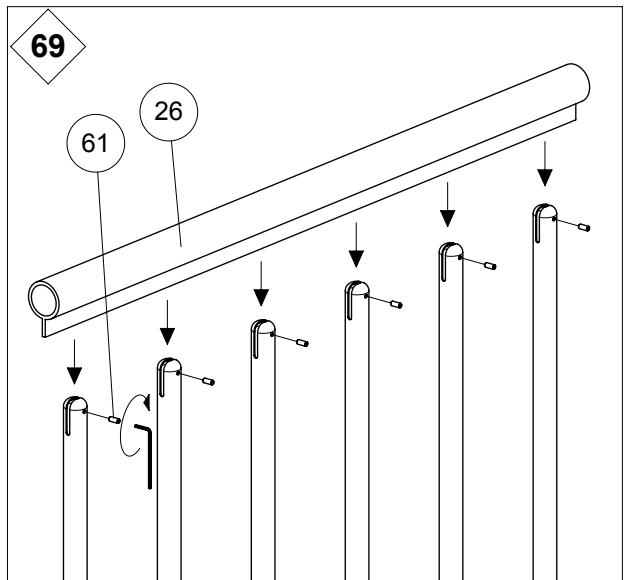
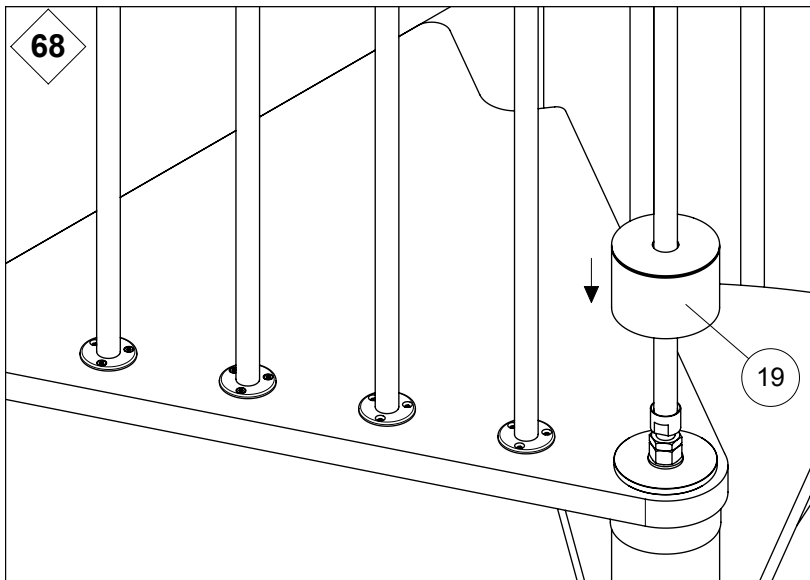
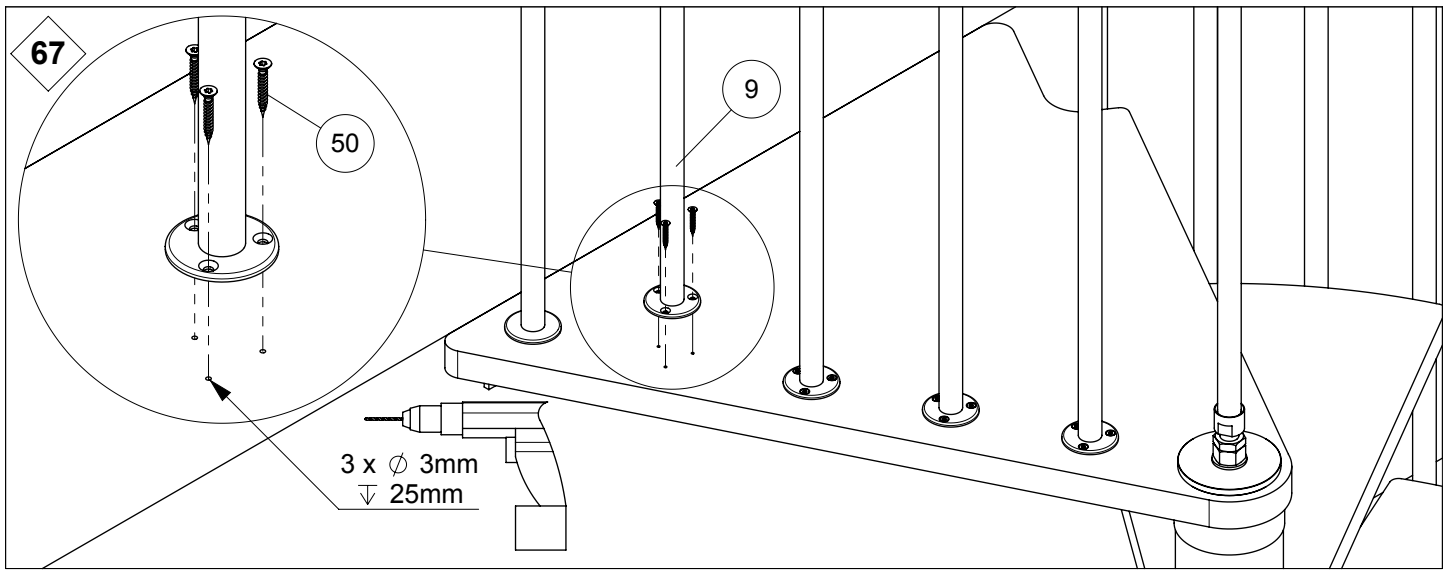
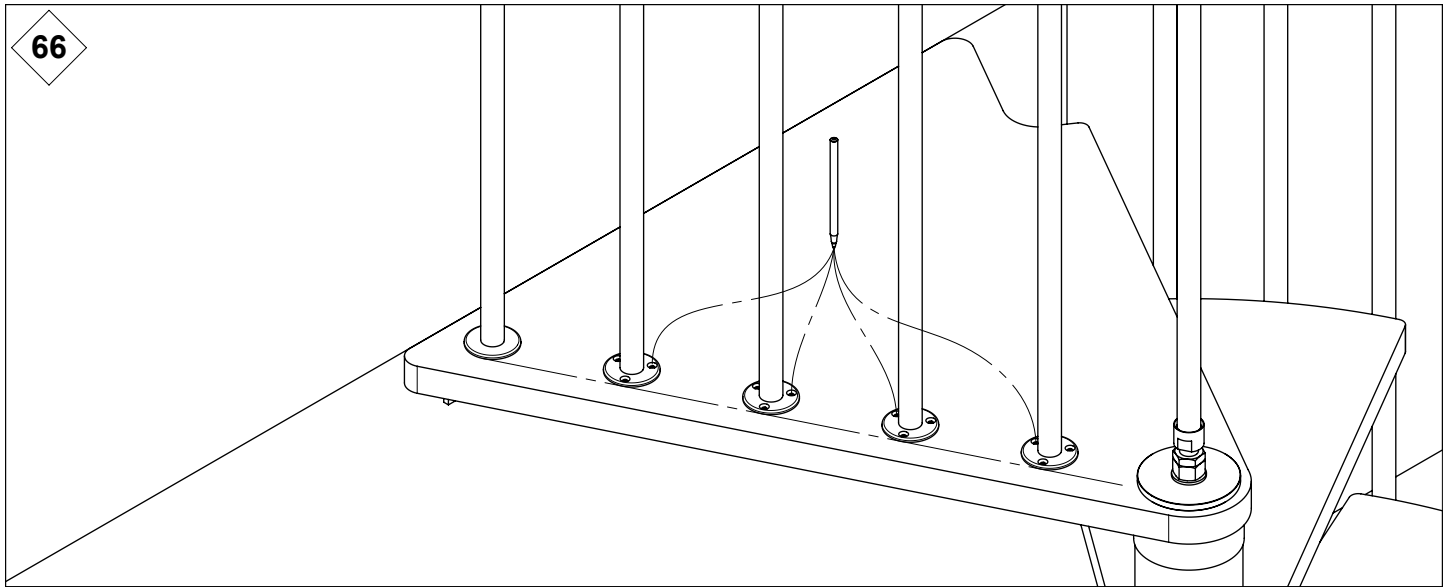


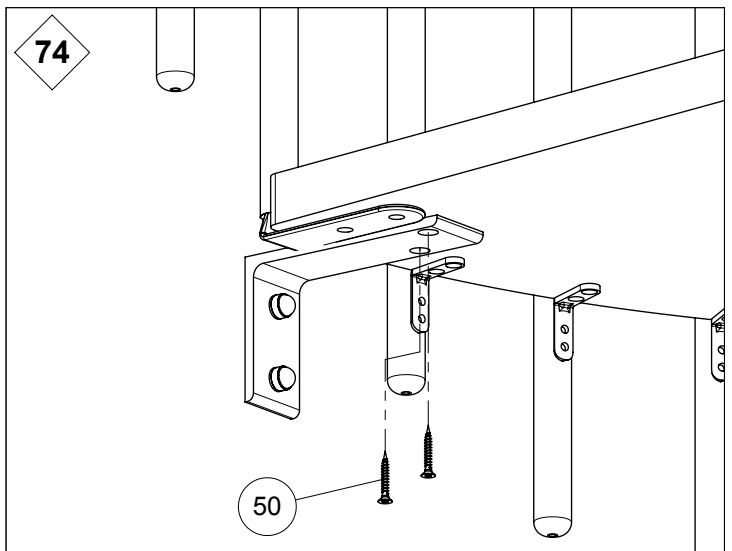
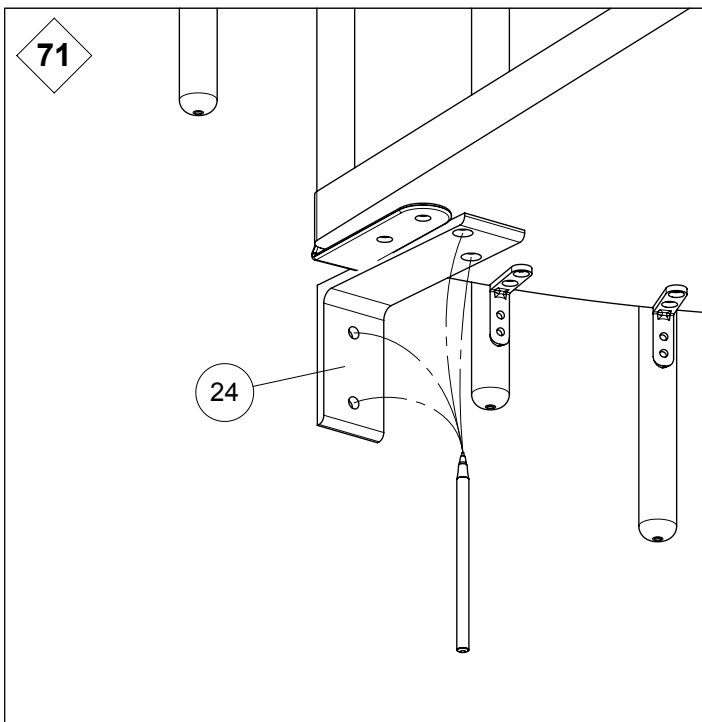
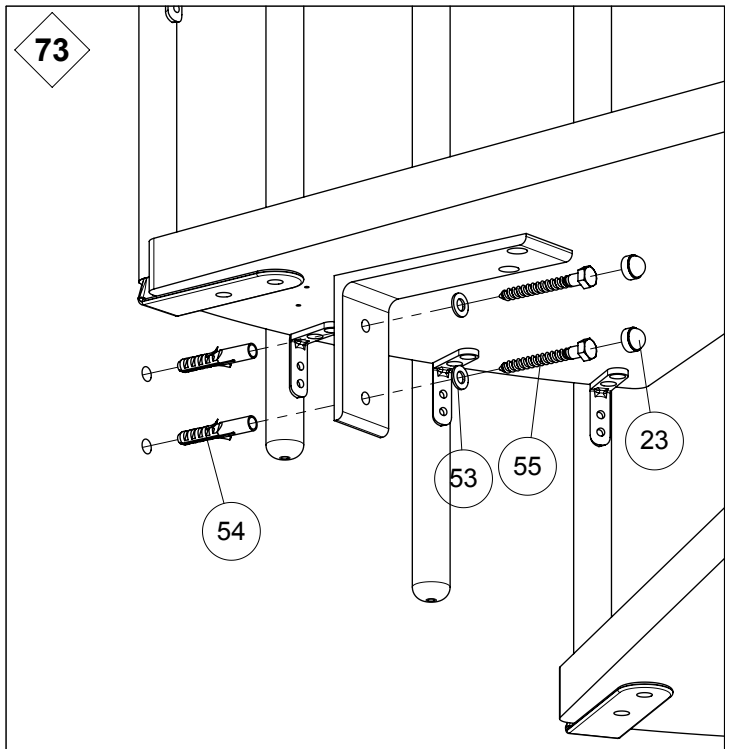
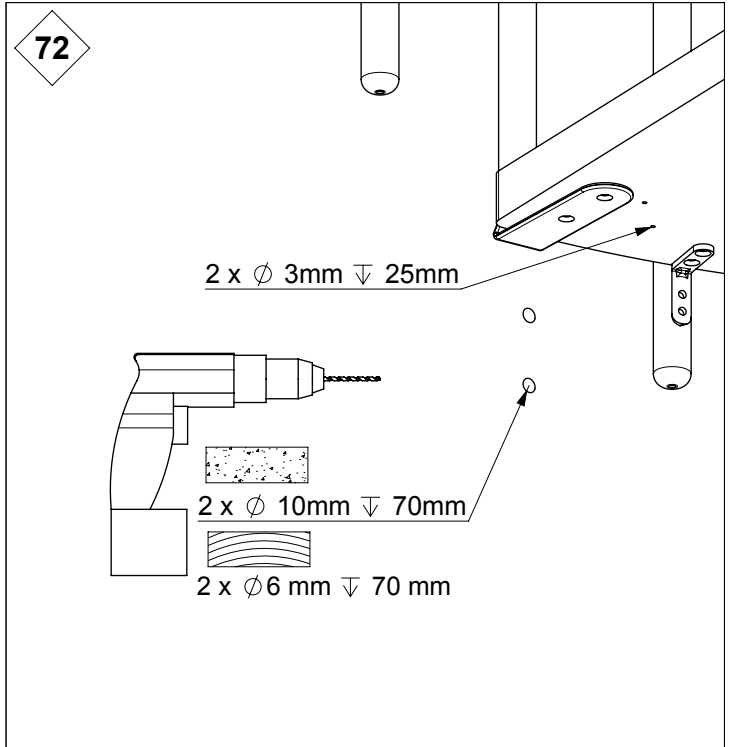
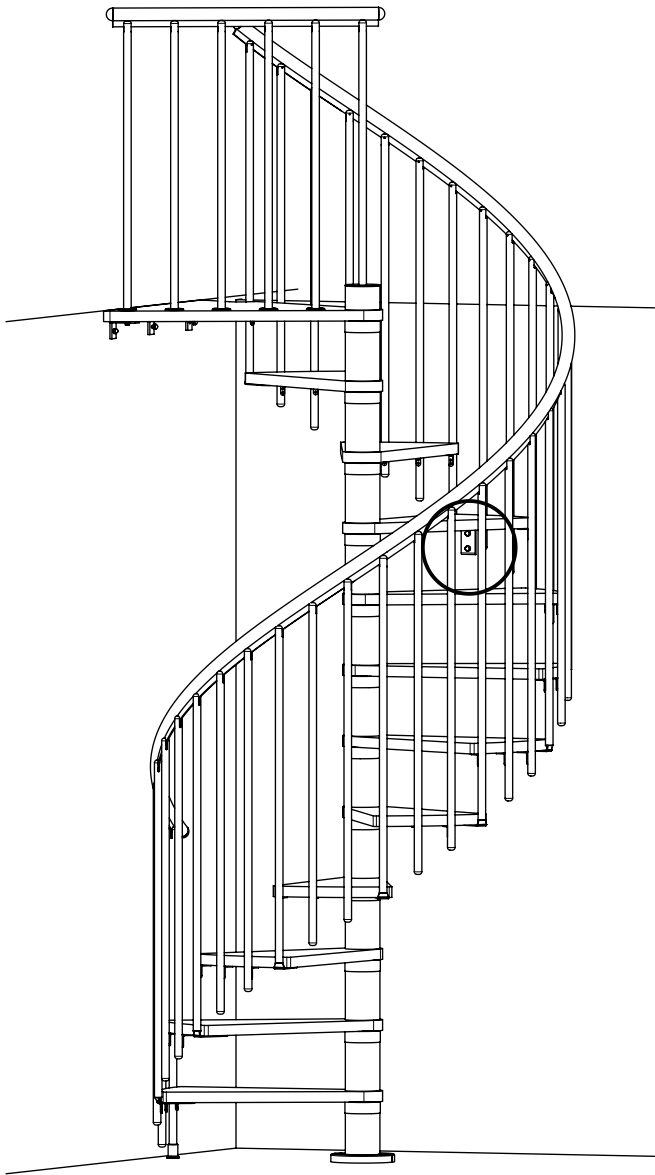
57











75

