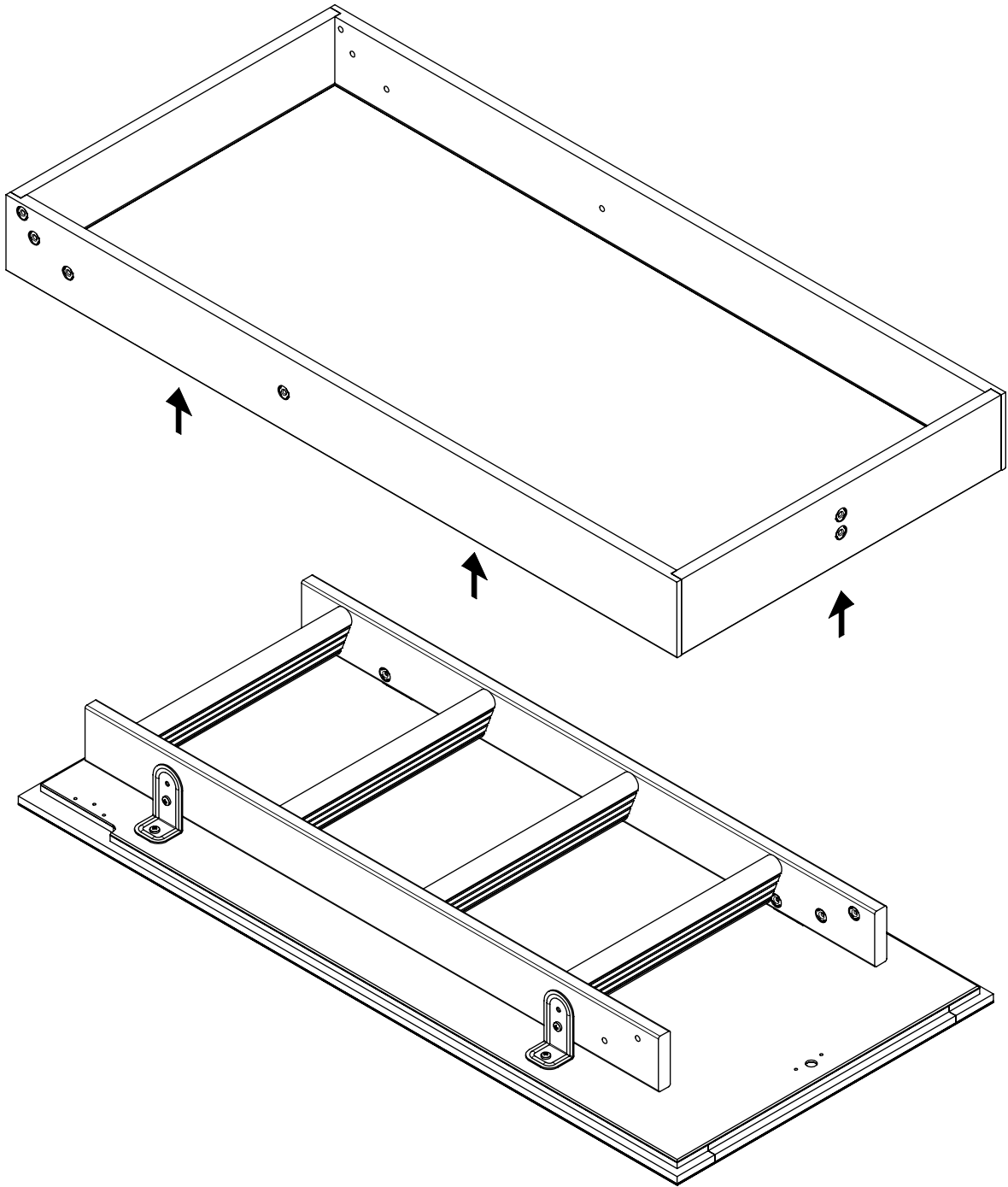
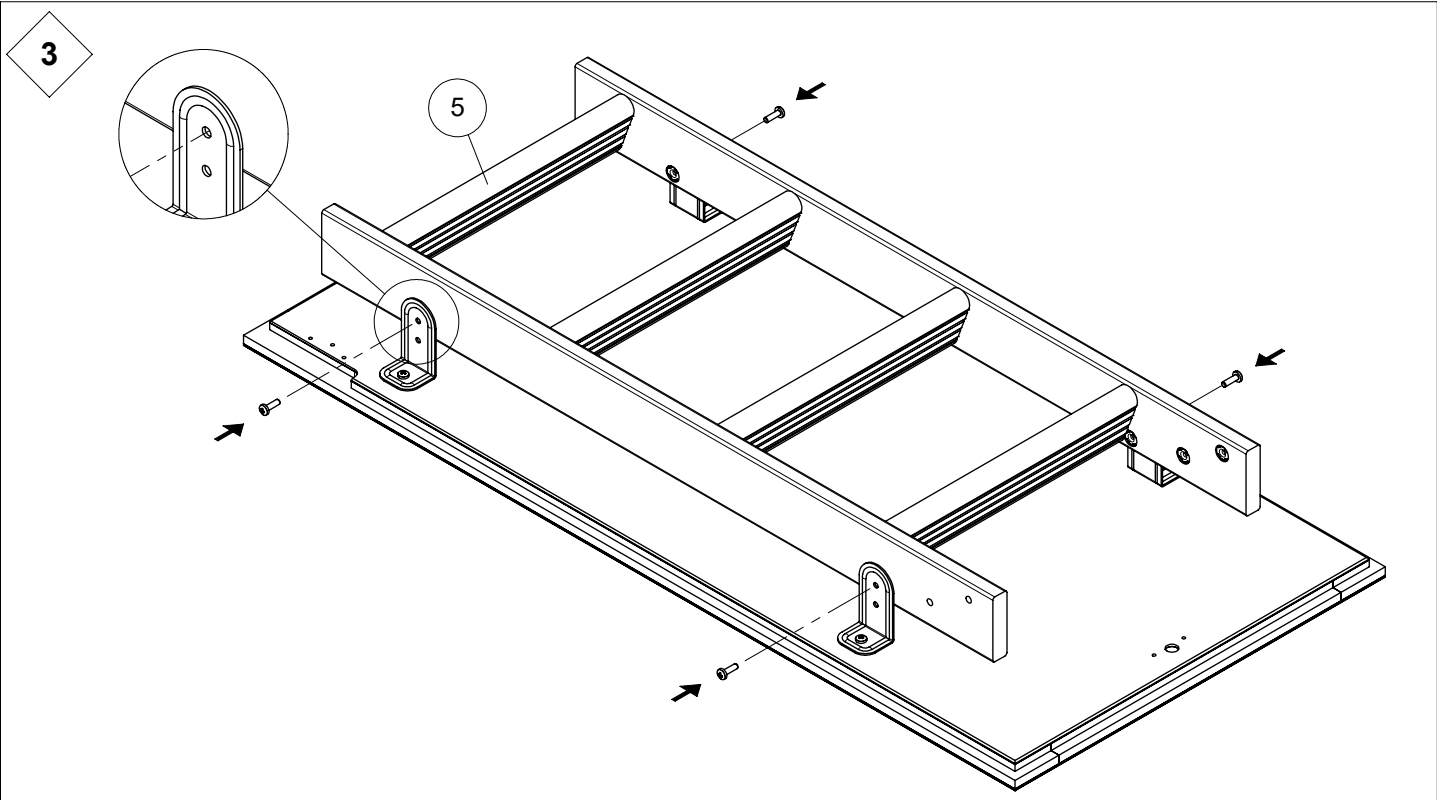
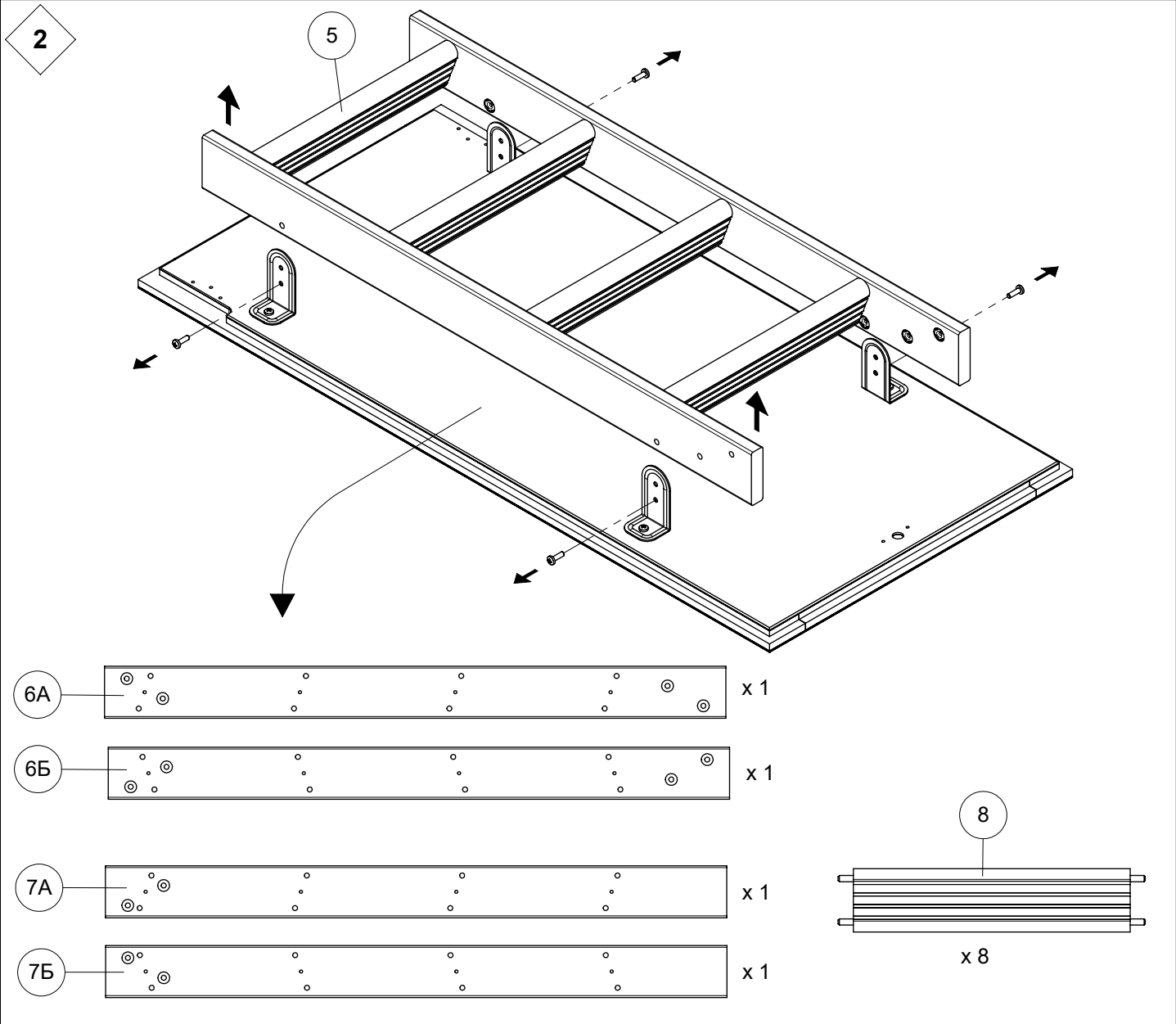


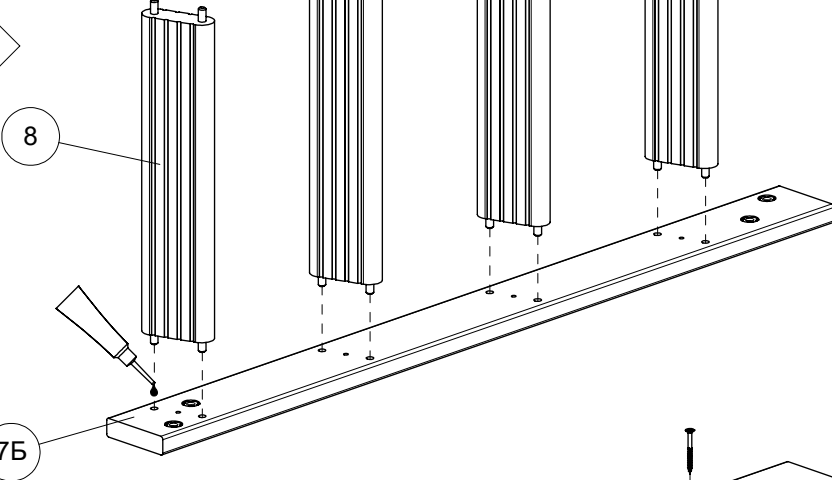
1



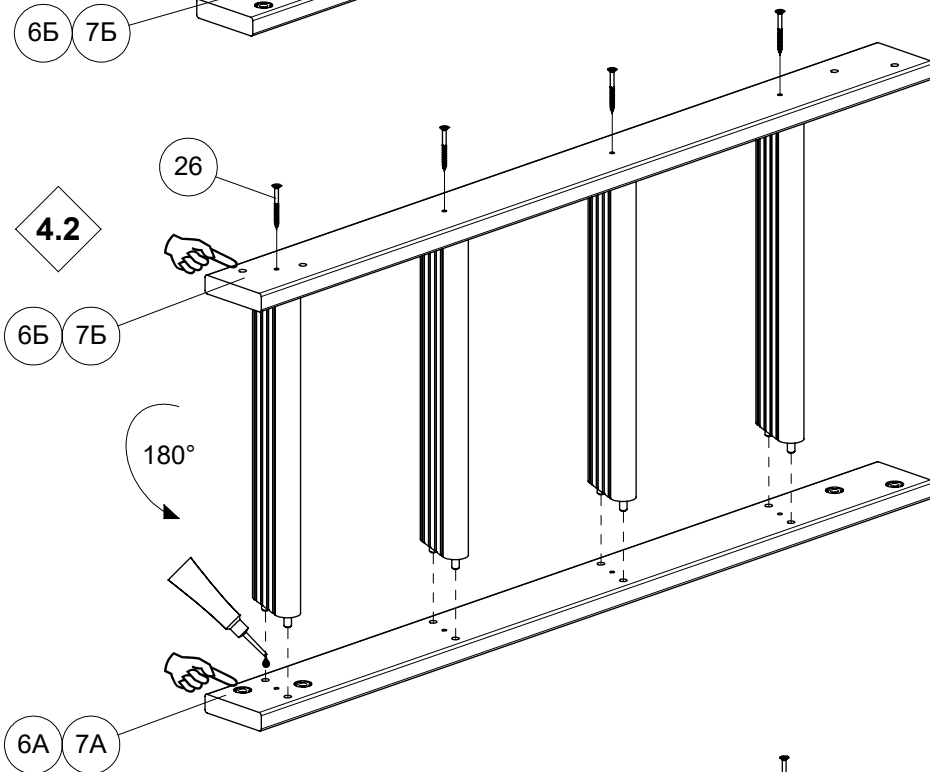


4

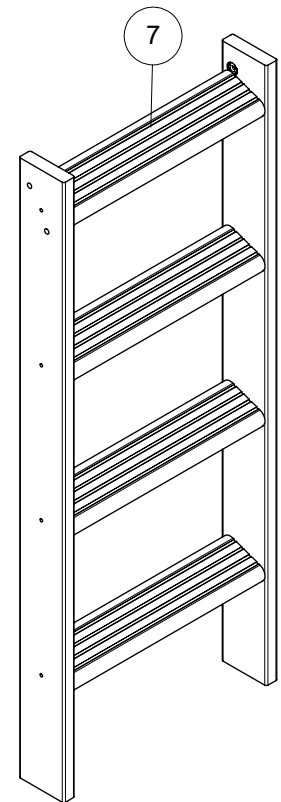
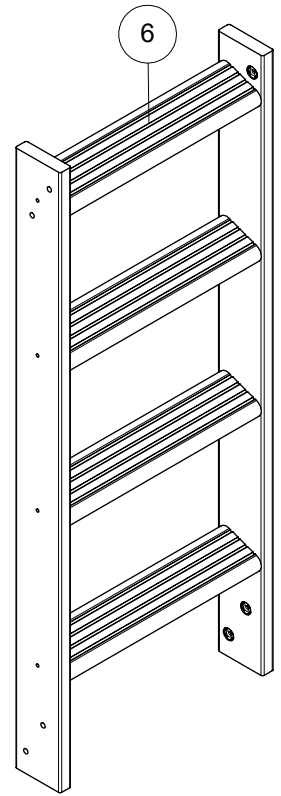
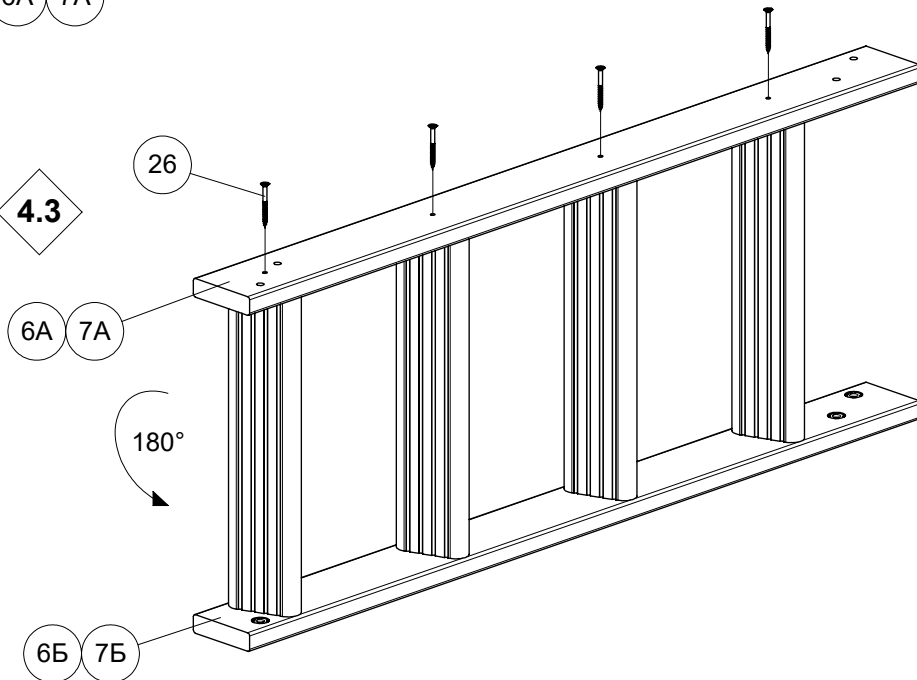
4.1



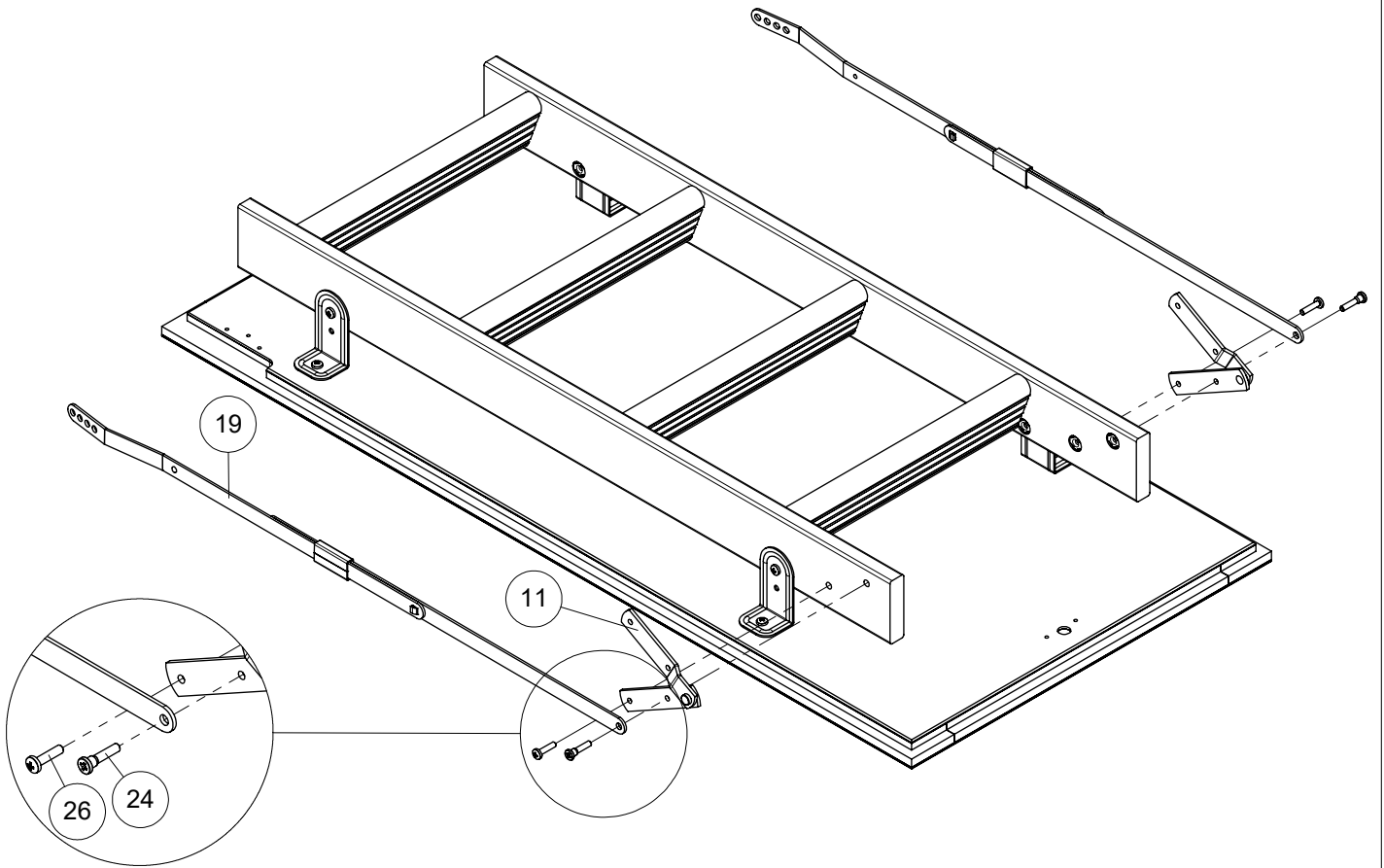
4.2



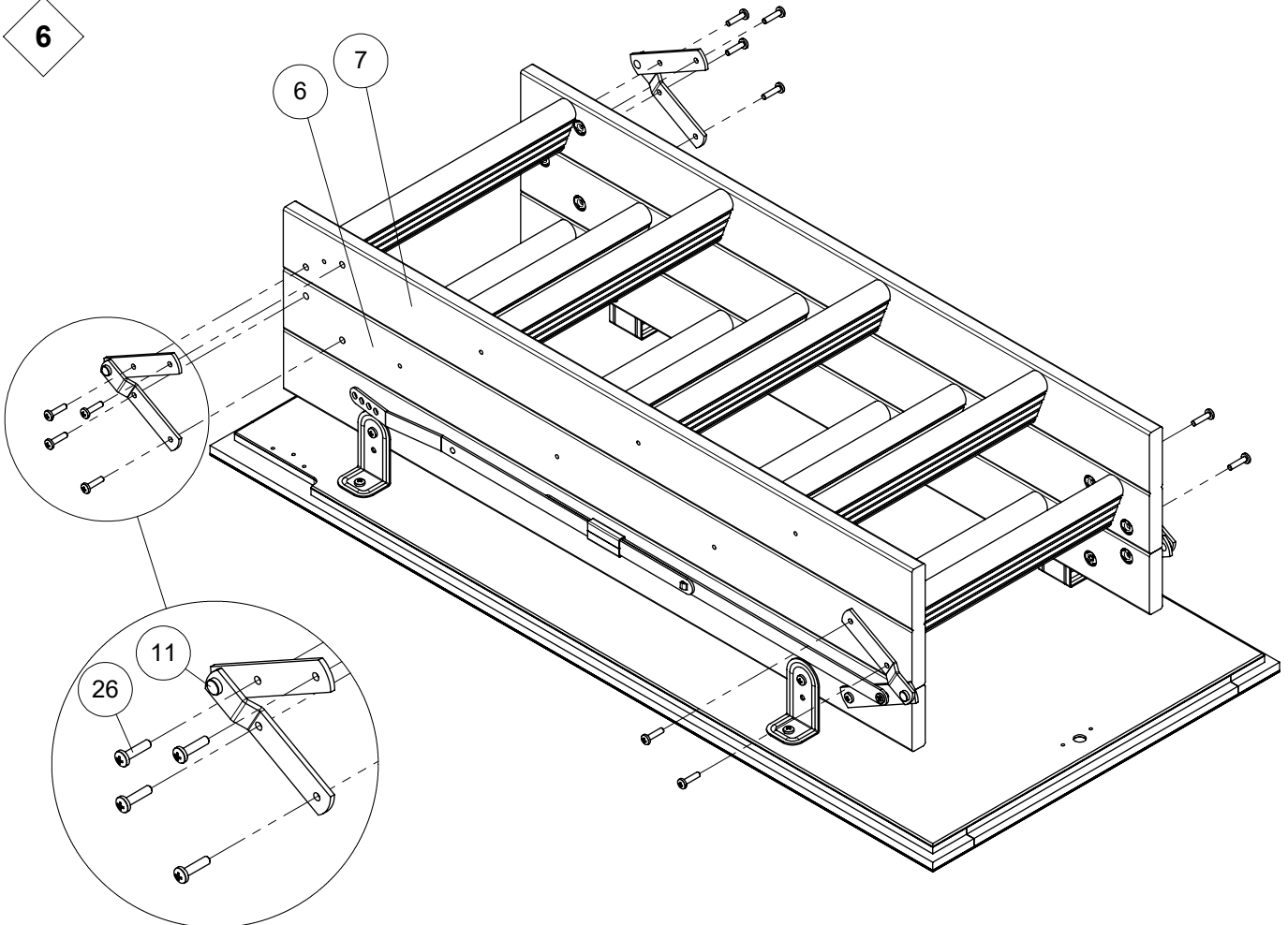
4.3

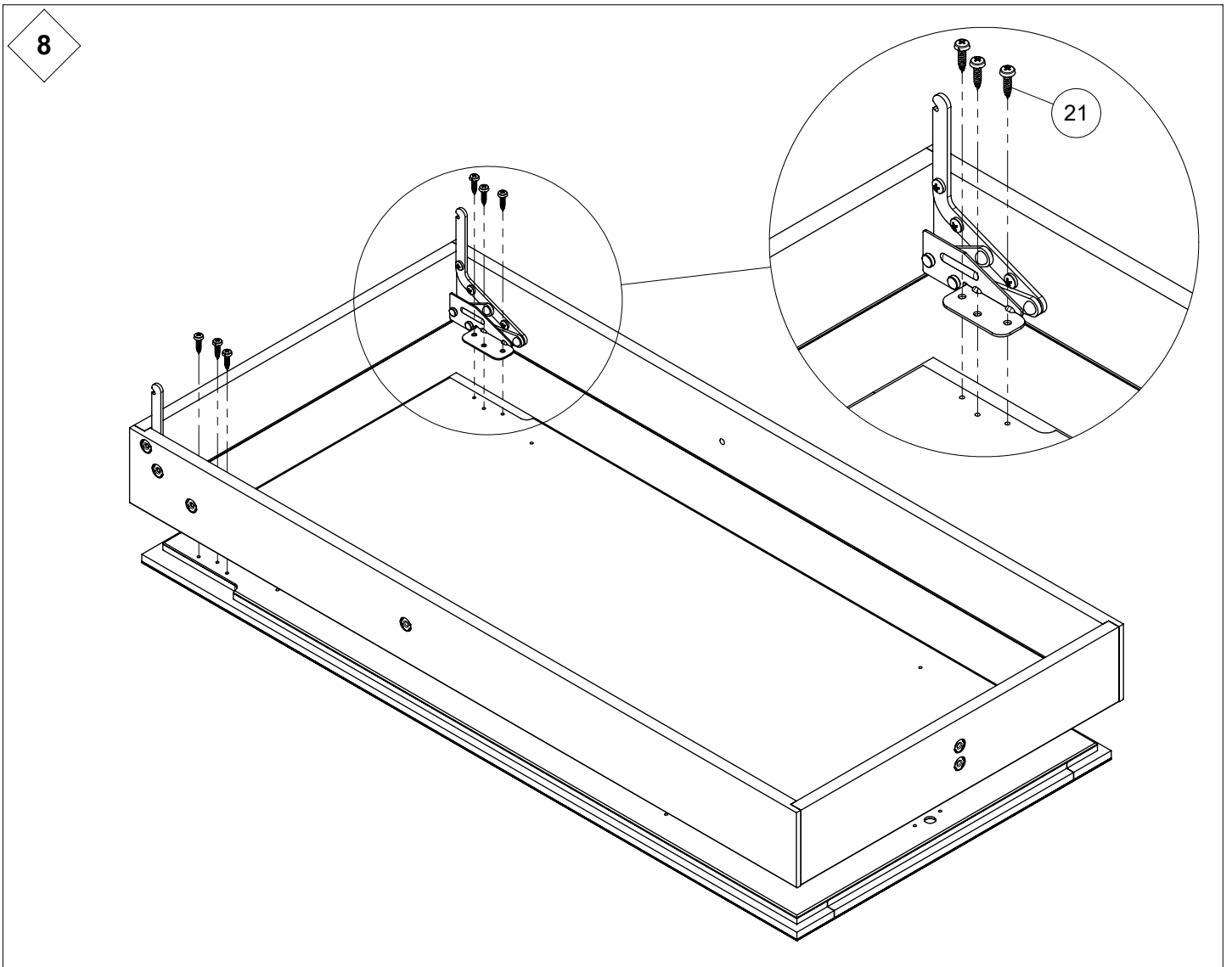
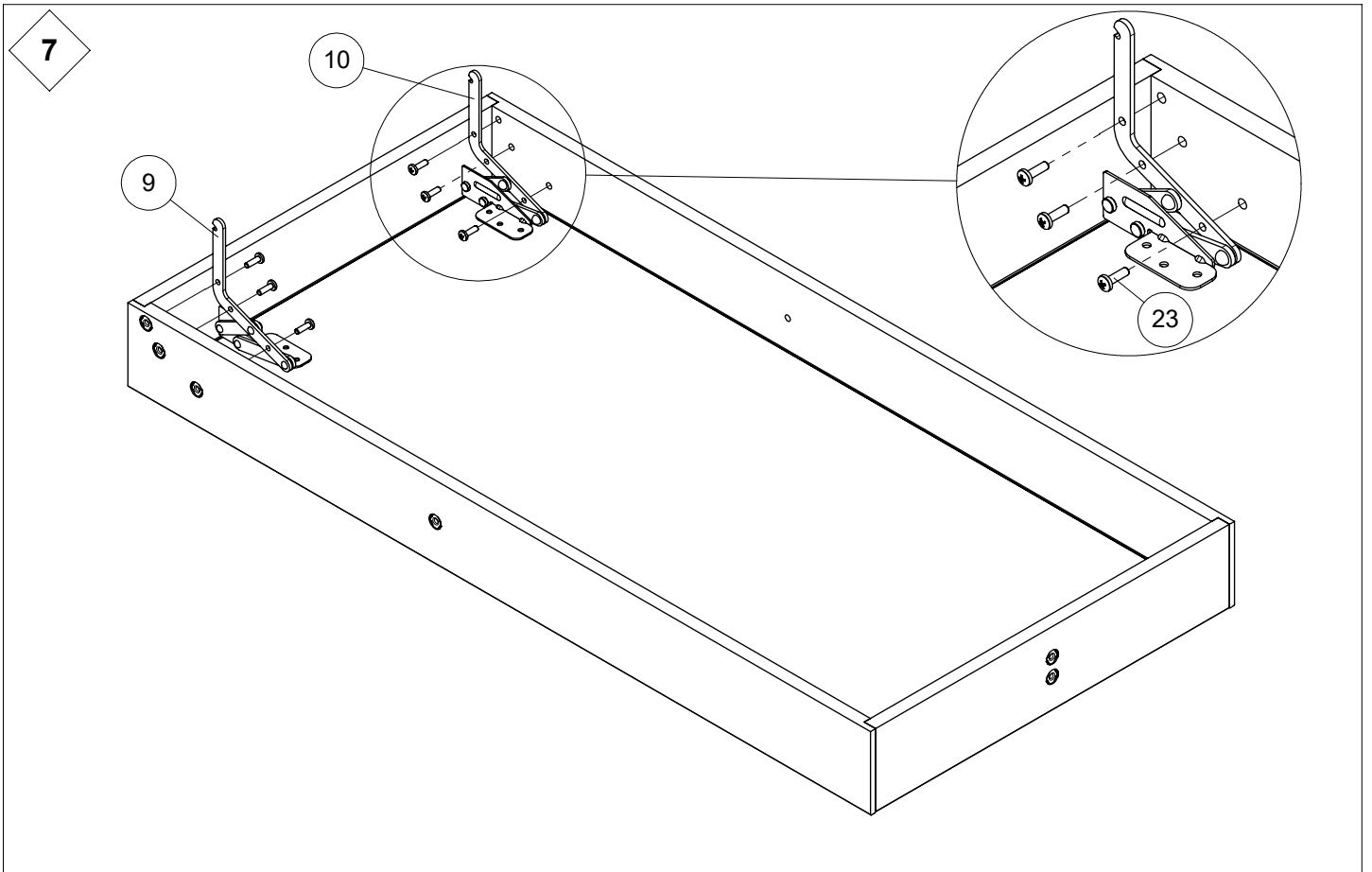


5

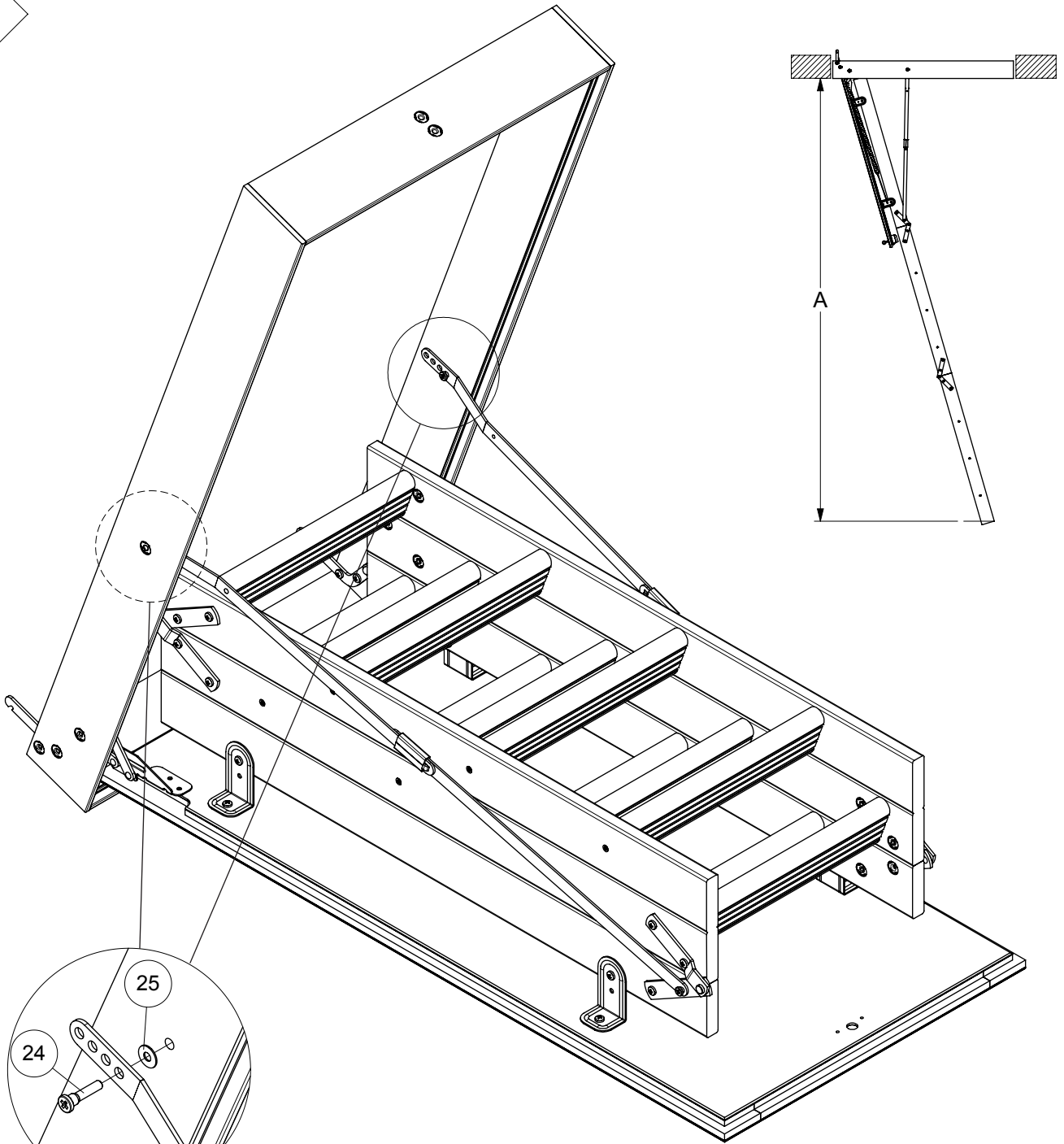


6

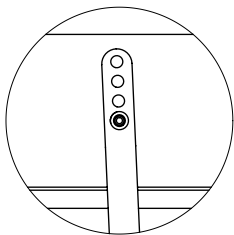




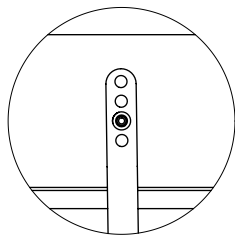
9



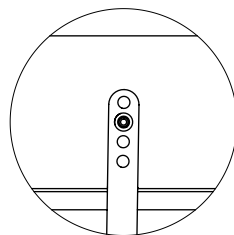
× 2



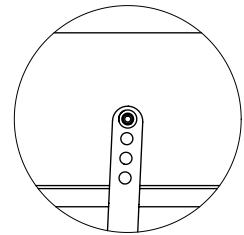
A



A + 35 MM

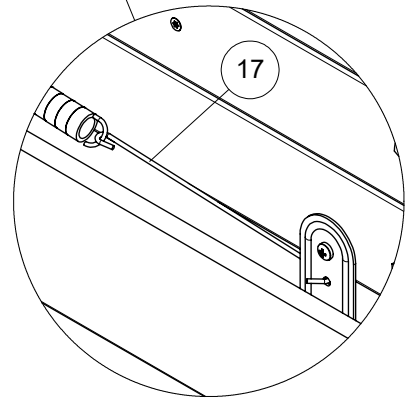
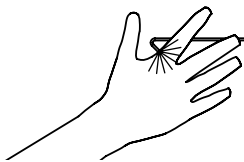
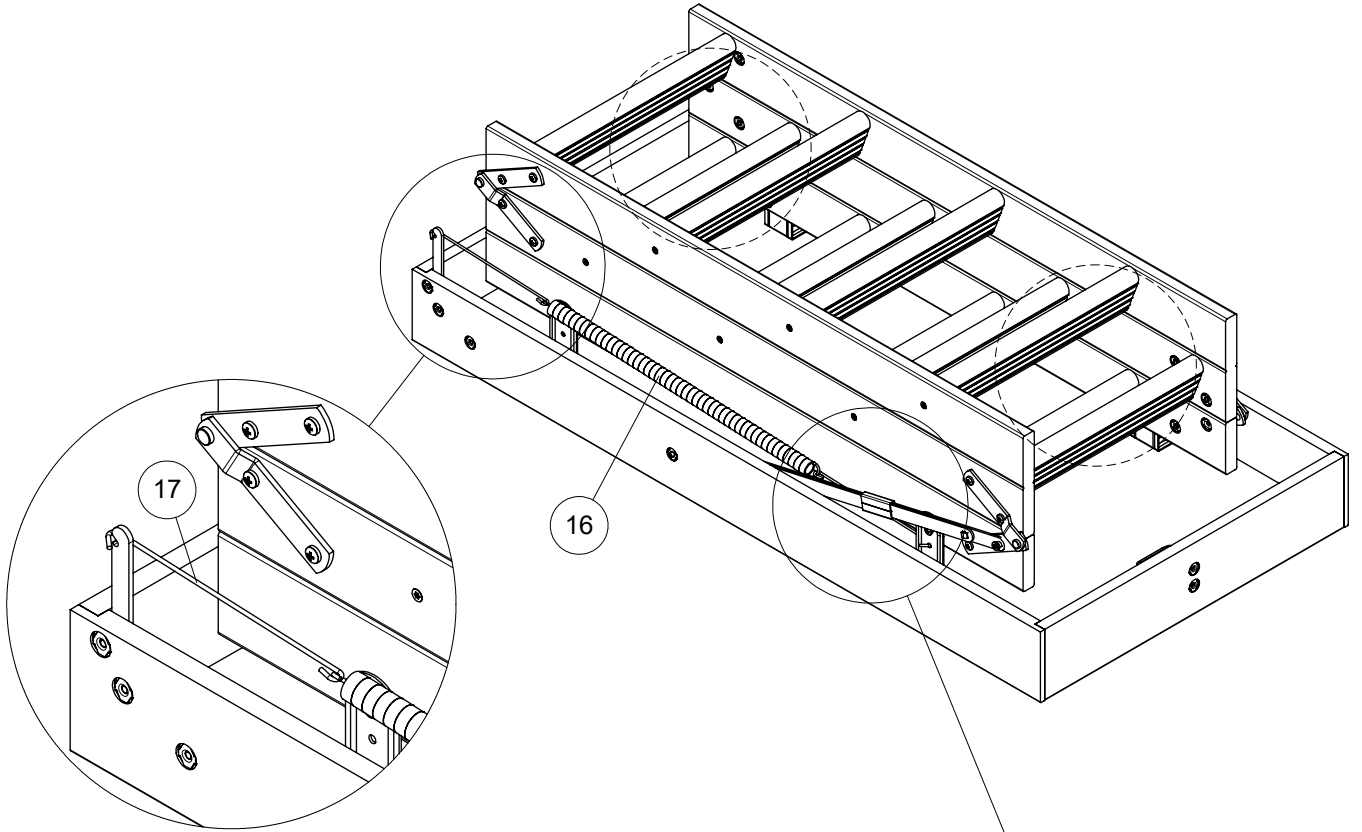
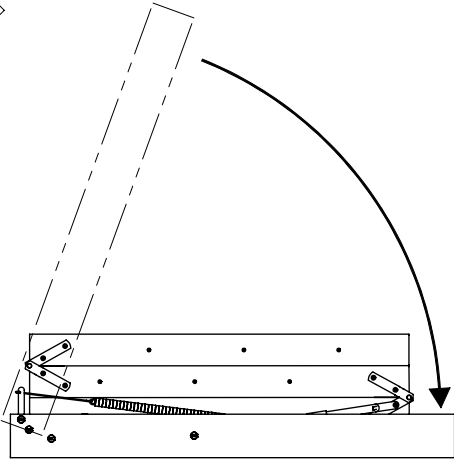


A + 70 MM



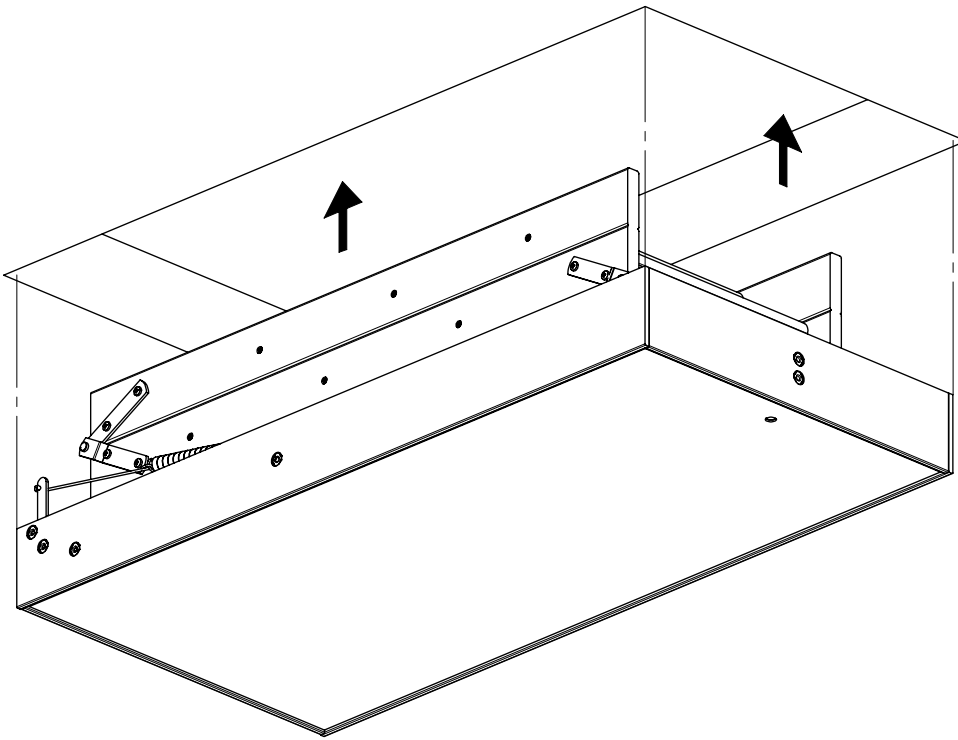
A + 105 MM

10

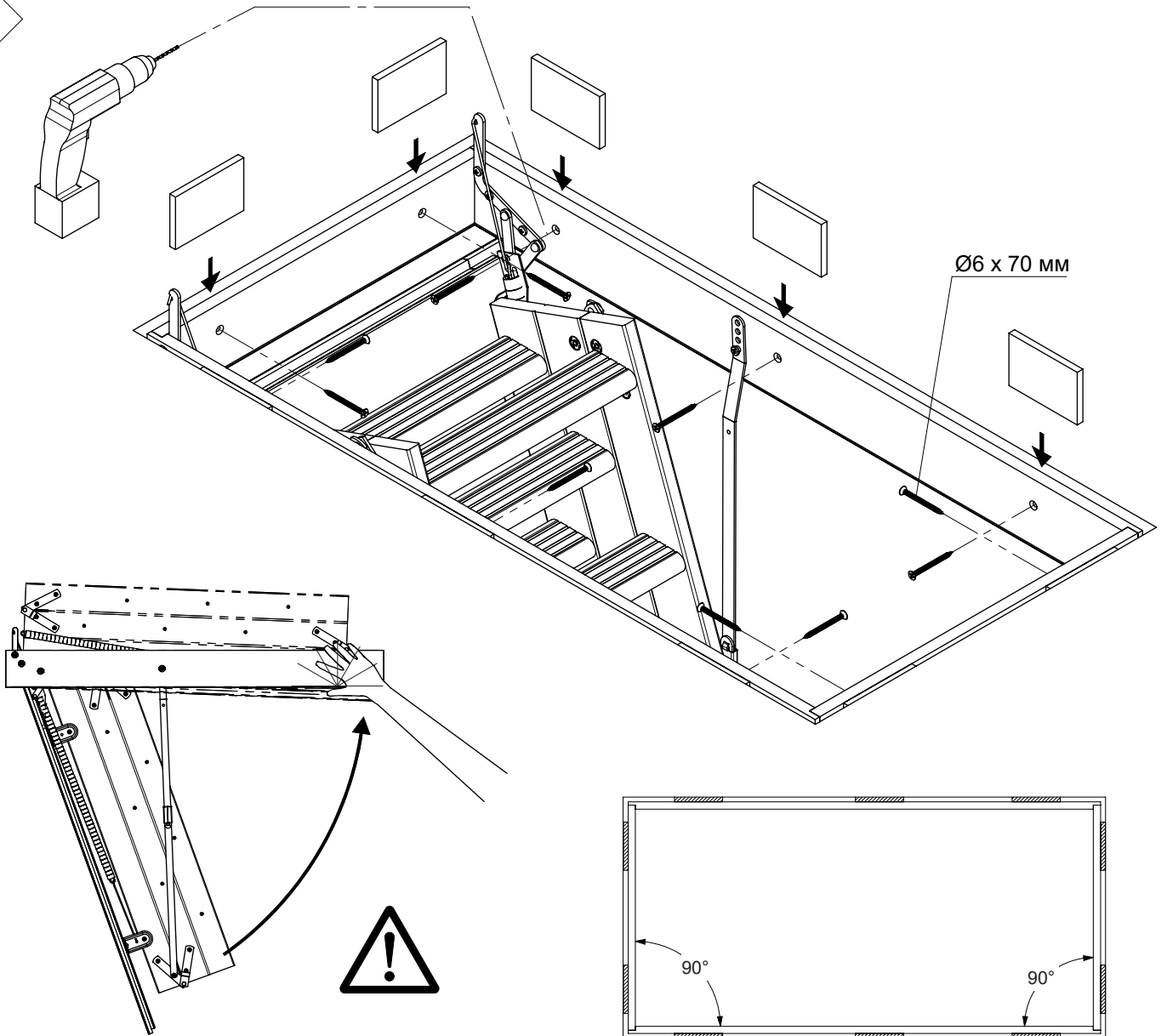




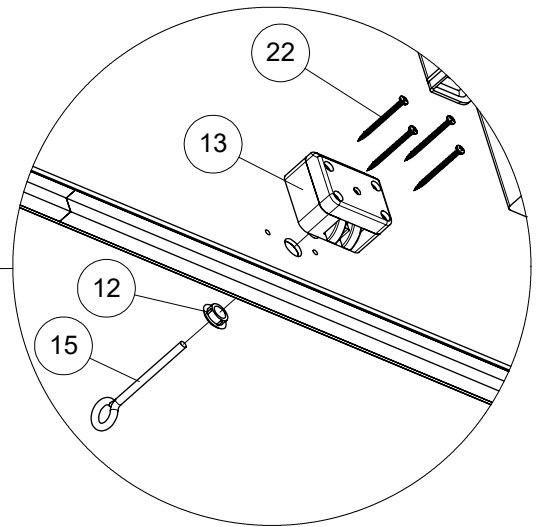
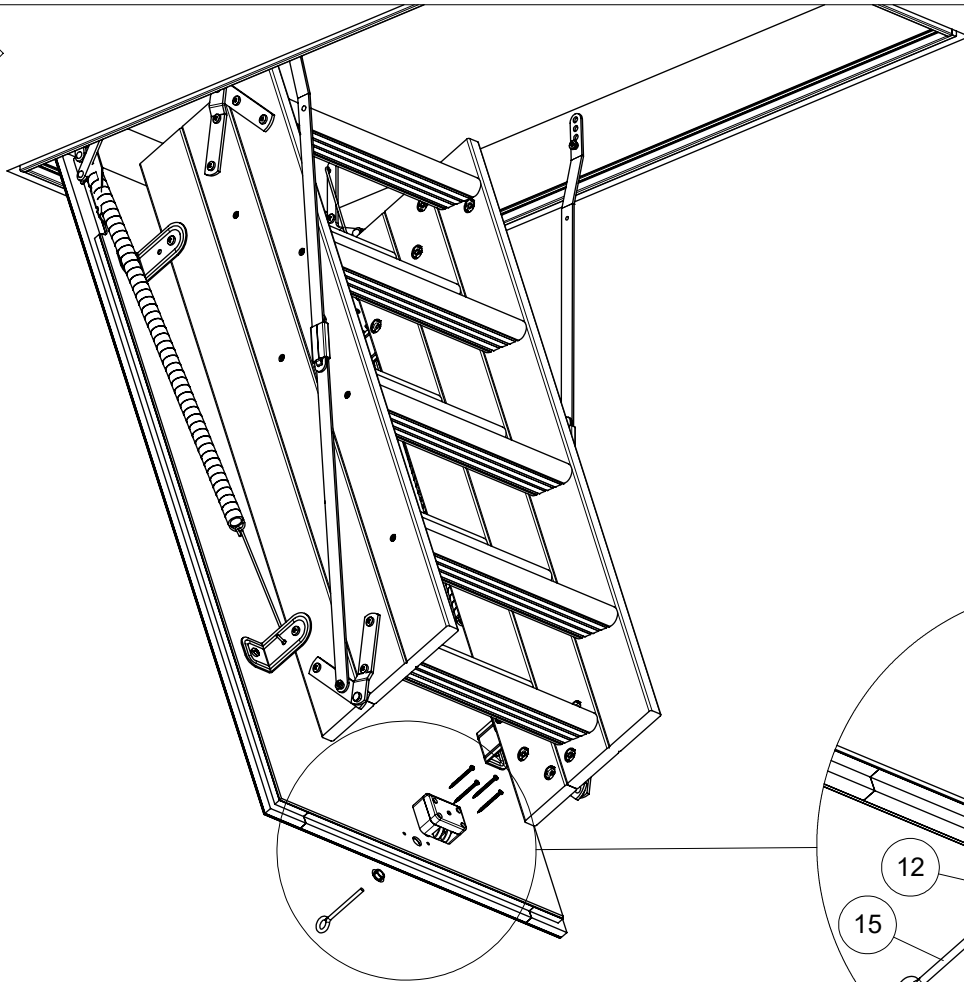
11



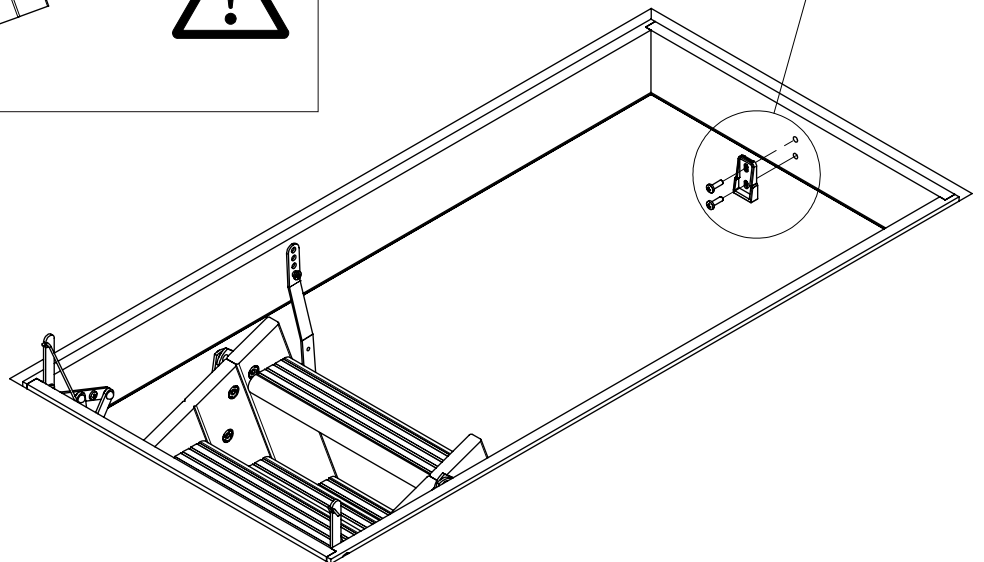
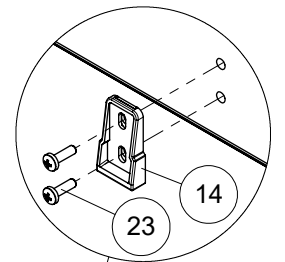
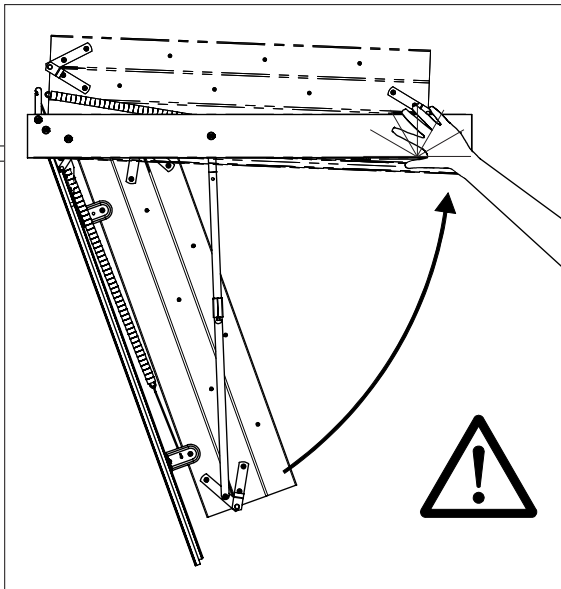
12



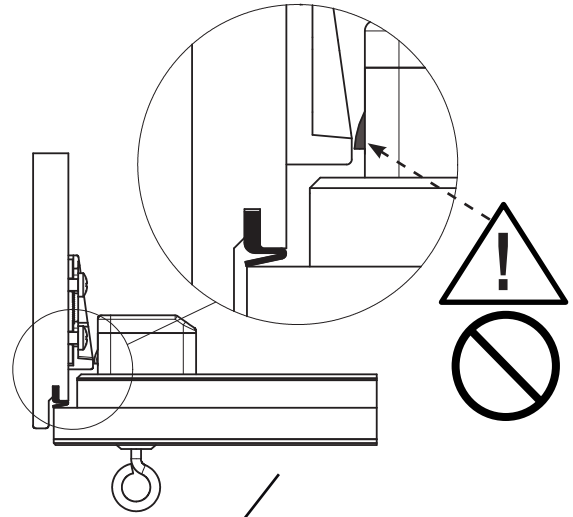
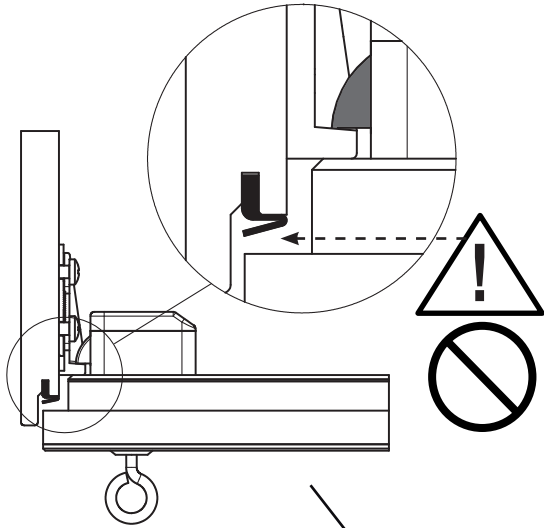
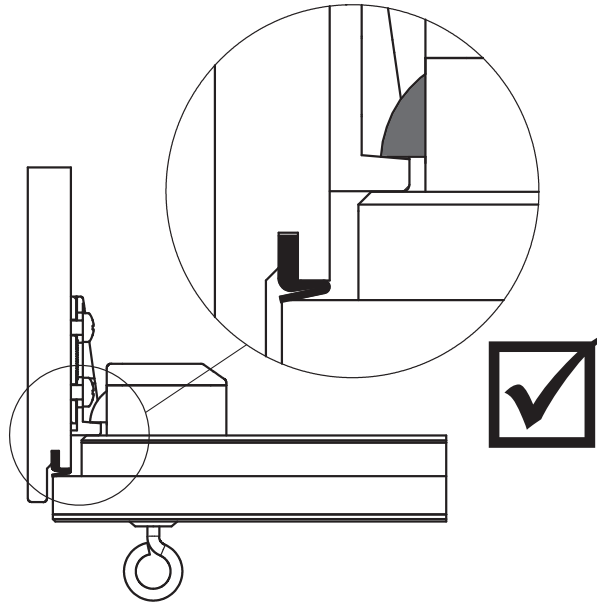
13



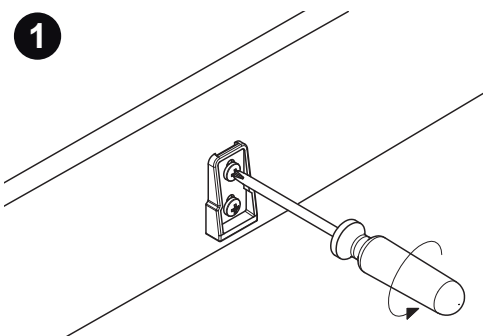
14



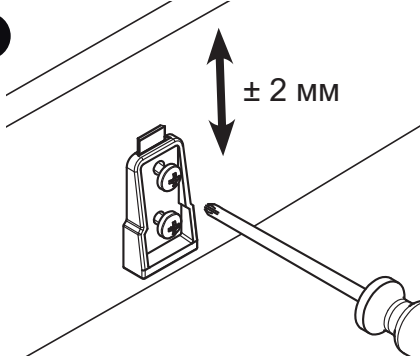
15



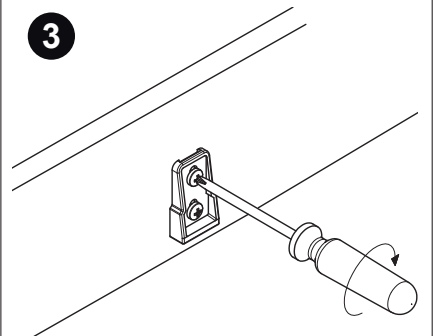
1



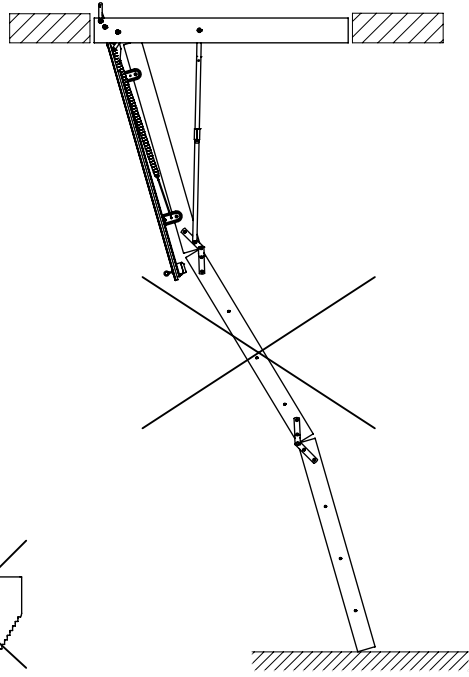
2



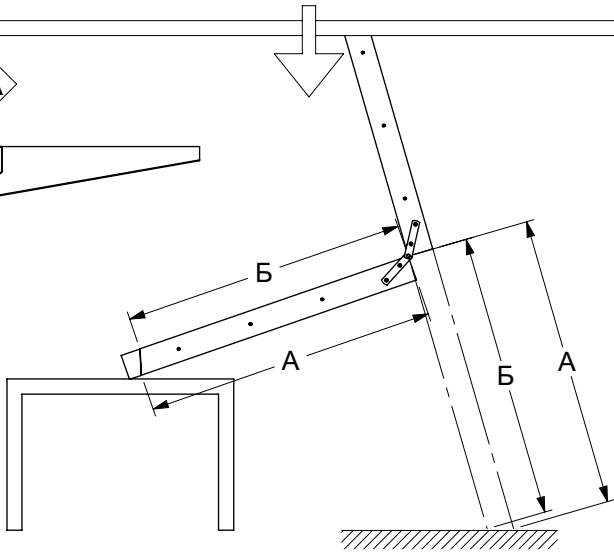
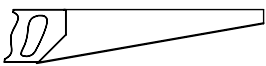
3



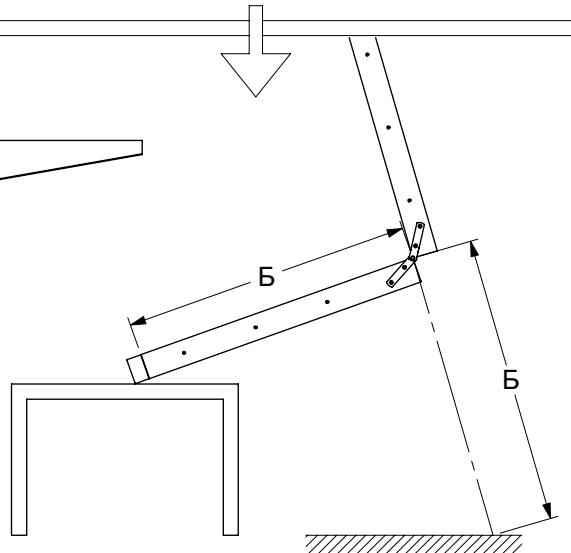
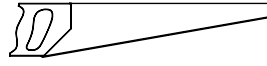
16



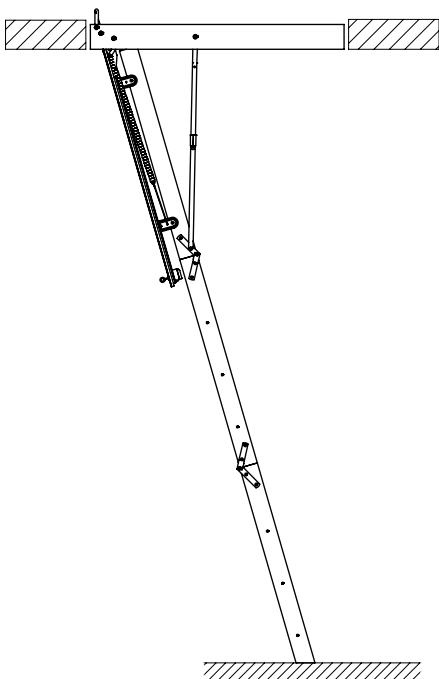
17A



17B



18A



18B

