

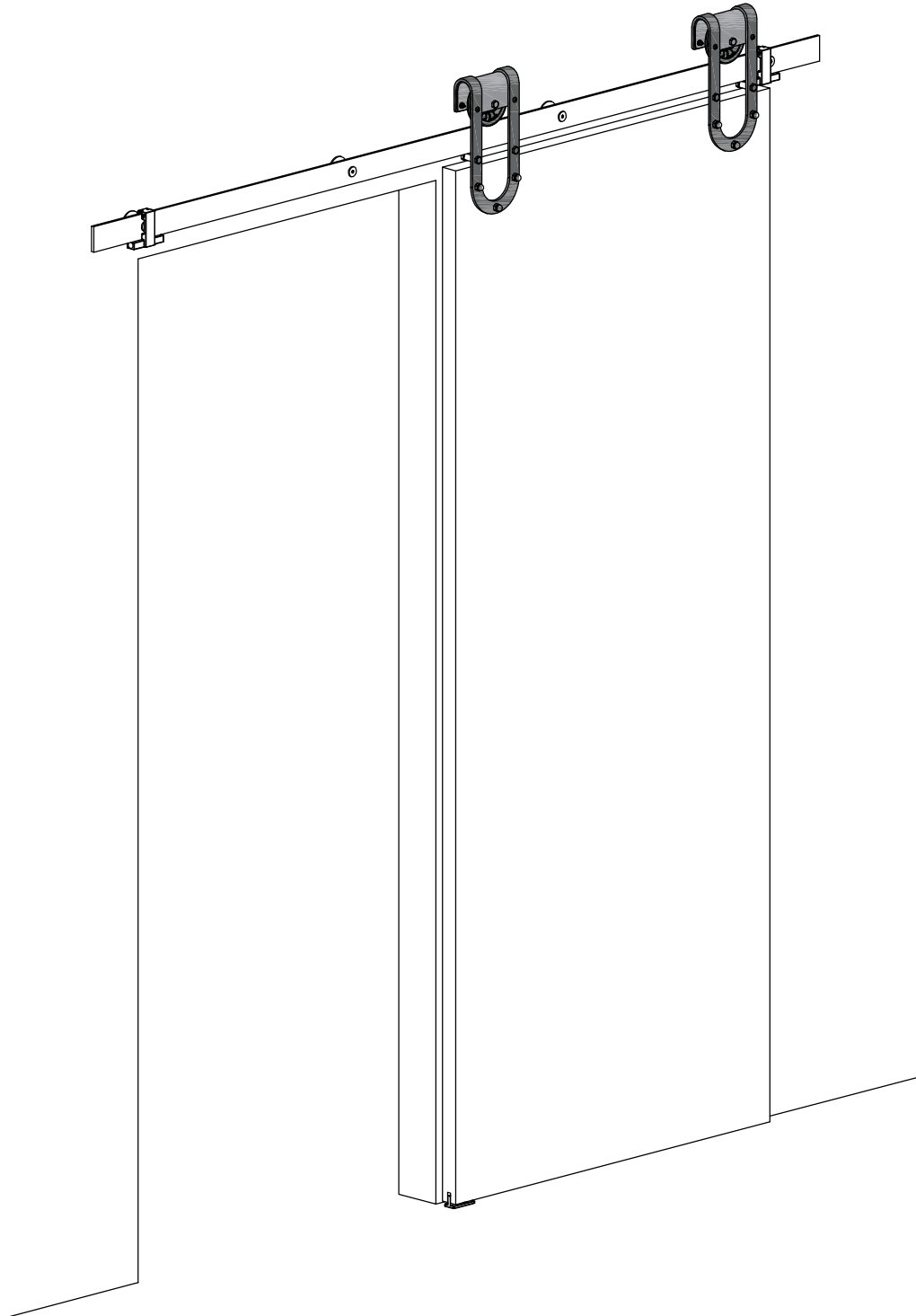
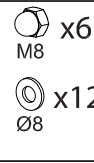
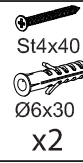
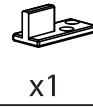
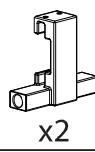
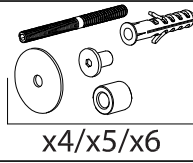
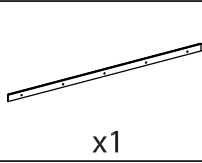


MANTION POLSKA

WWW.MANTION.PL

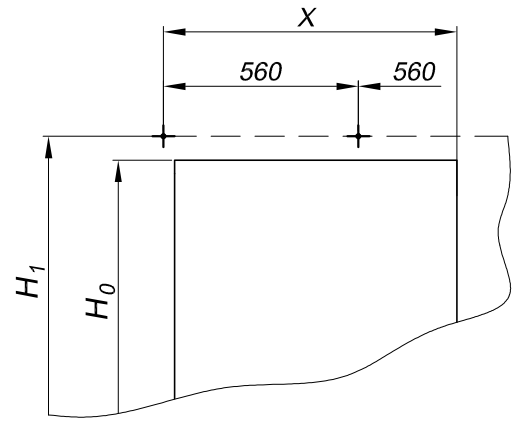
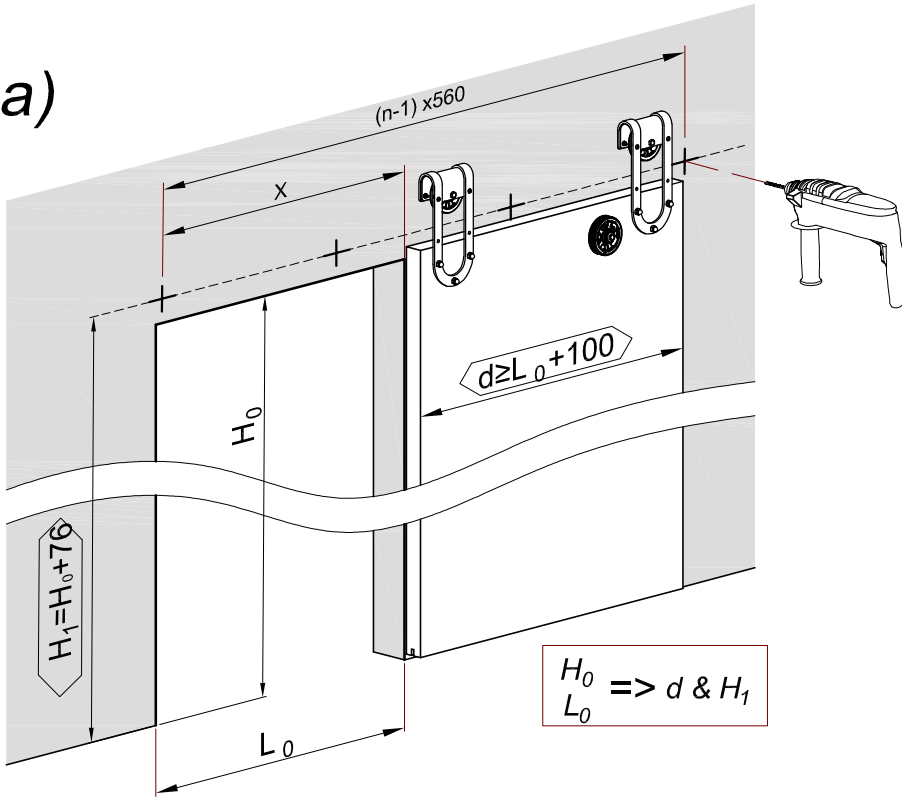
Magni| ROC DESIGN

219-326, 219-336, 219-346, 219-356, 219-366



1

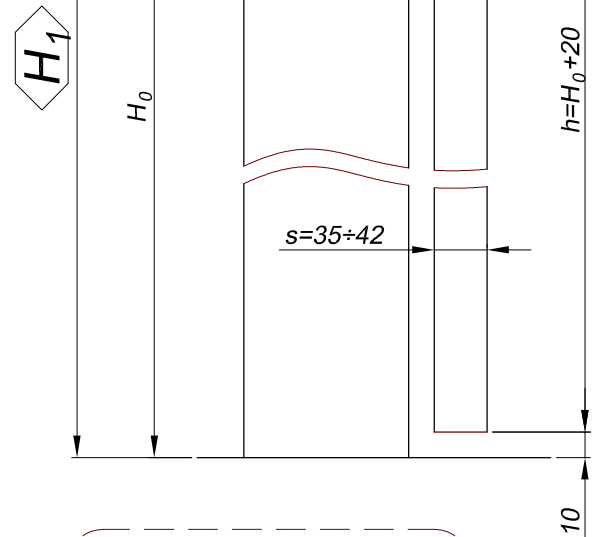
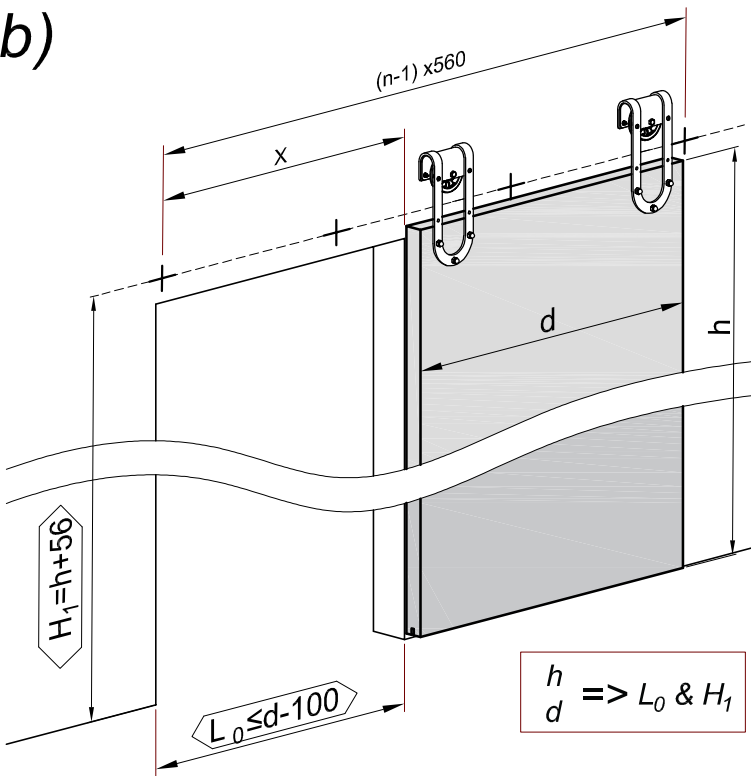
a)



L_{Track} [mm]	1950	2400	3000
X [mm]	840	1120	1400
n	4	5	6

$H_0 \Rightarrow d \ \& \ H_1$
 L_0

b)



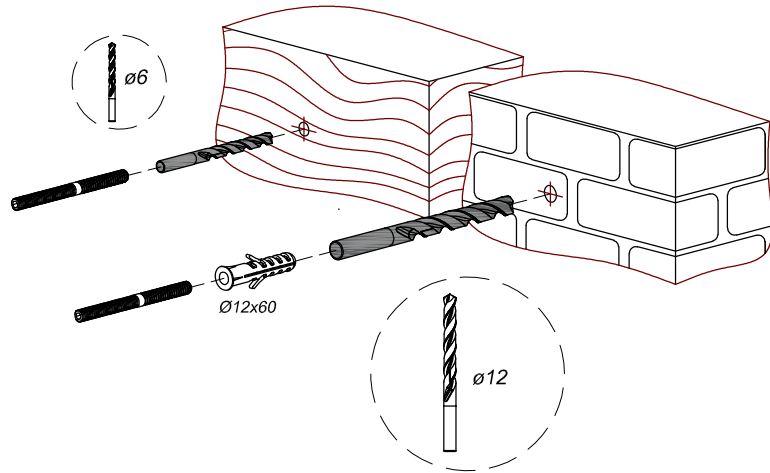
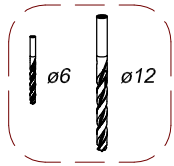
$h \ \& \ d \Rightarrow L_0$
 H_1

216-110
216-111

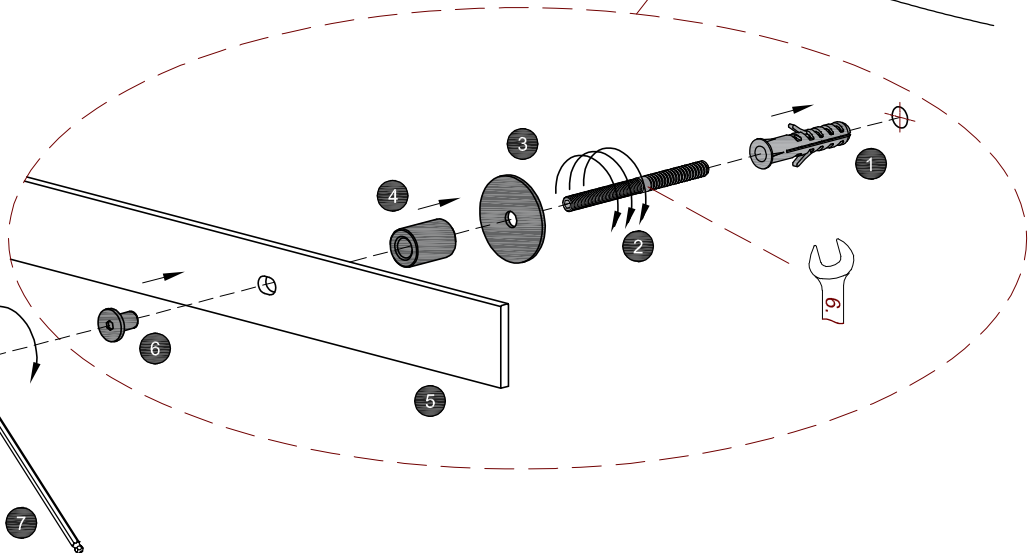
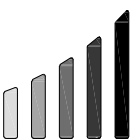
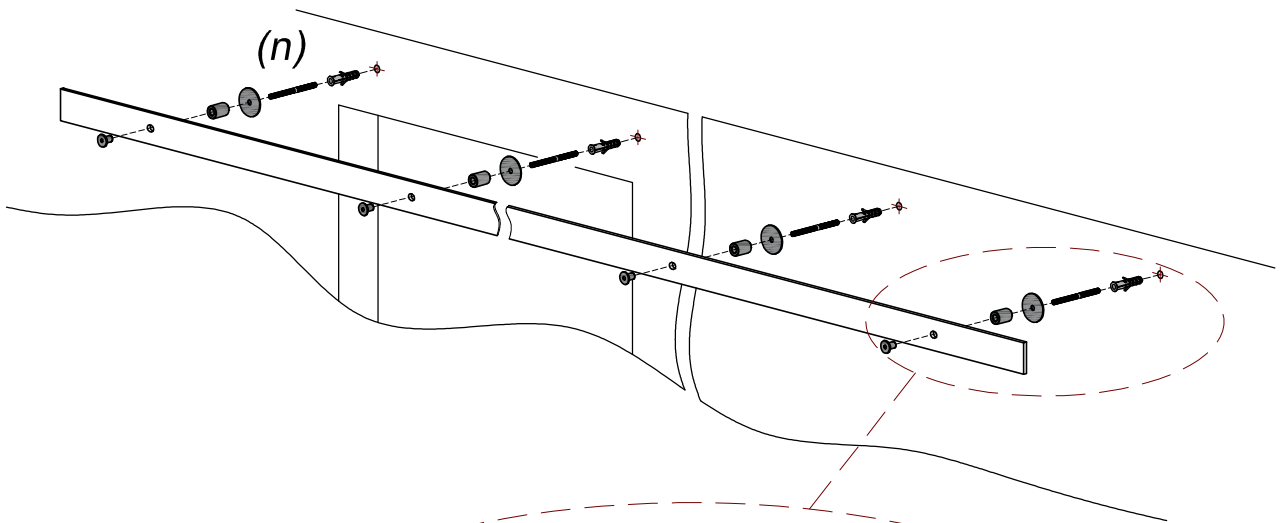
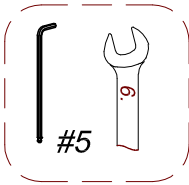
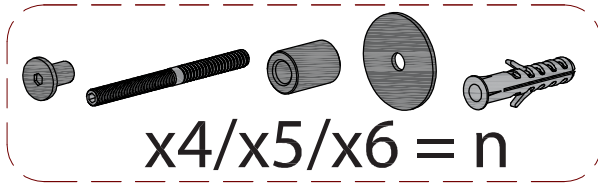
$H_1 = H_0 + 81$
 $H_1 = h + 61$



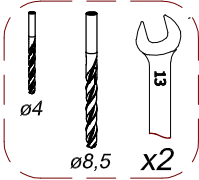
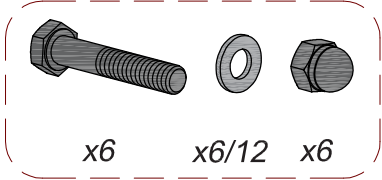
2



3

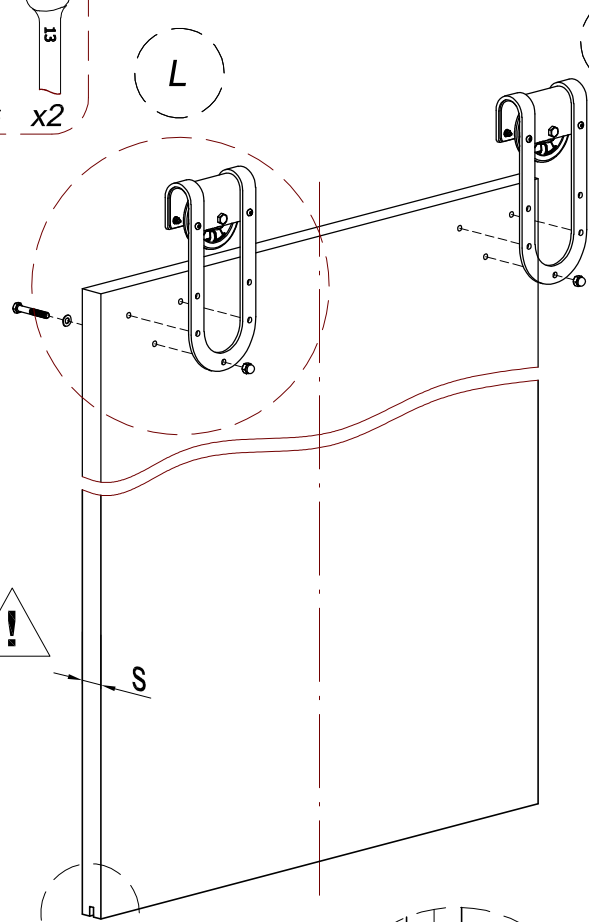


4

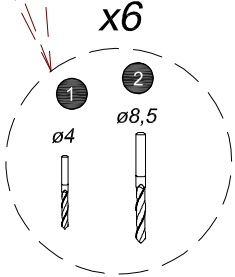
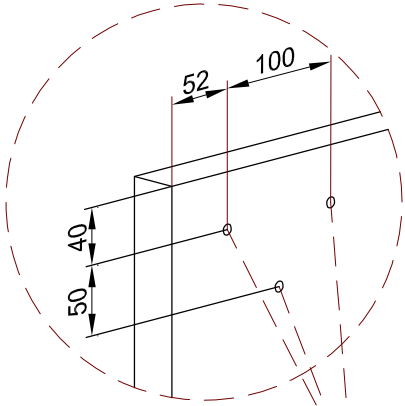


L

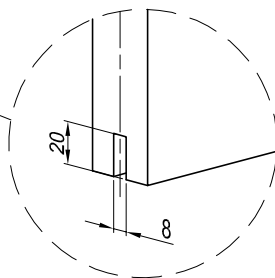
R



4.1



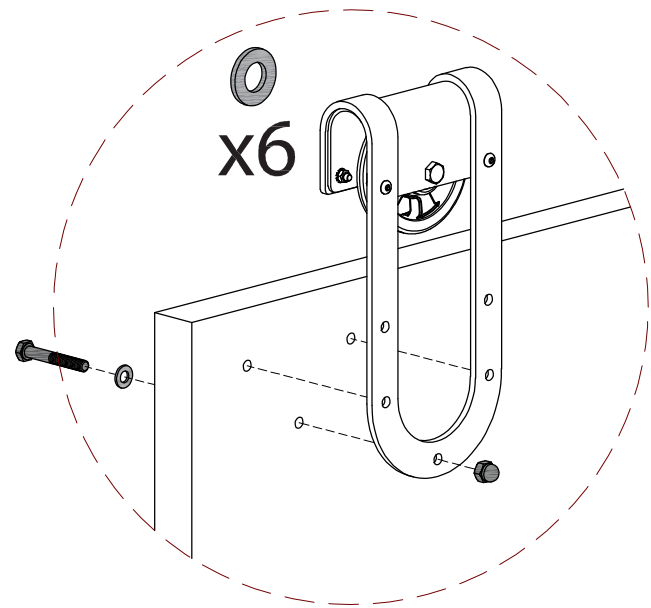
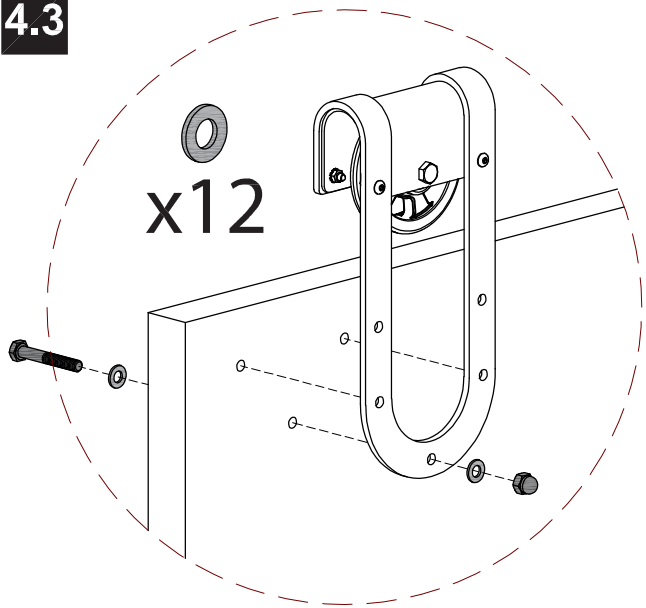
4.2



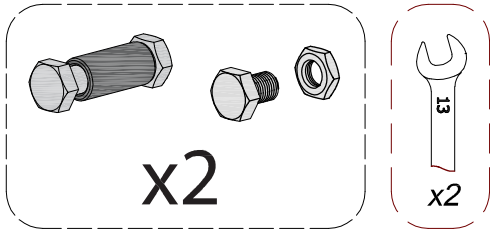
! $35 < s < 38$

$38 \leq s < 42$

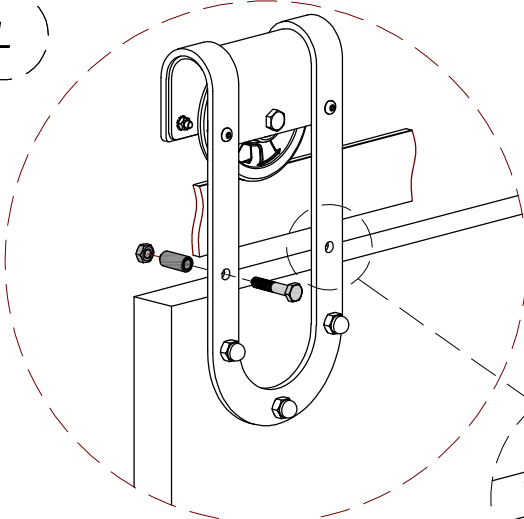
4.3



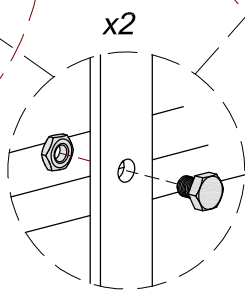
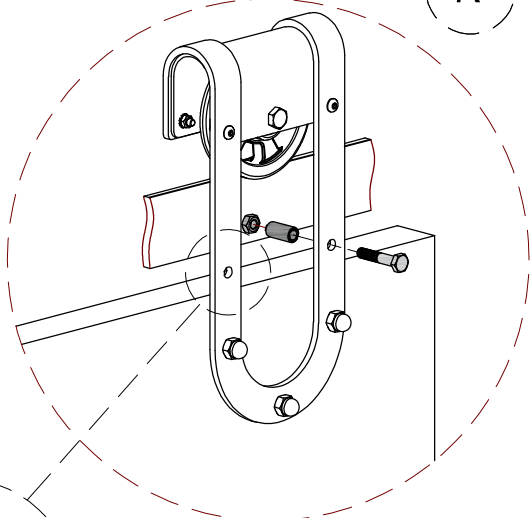
5



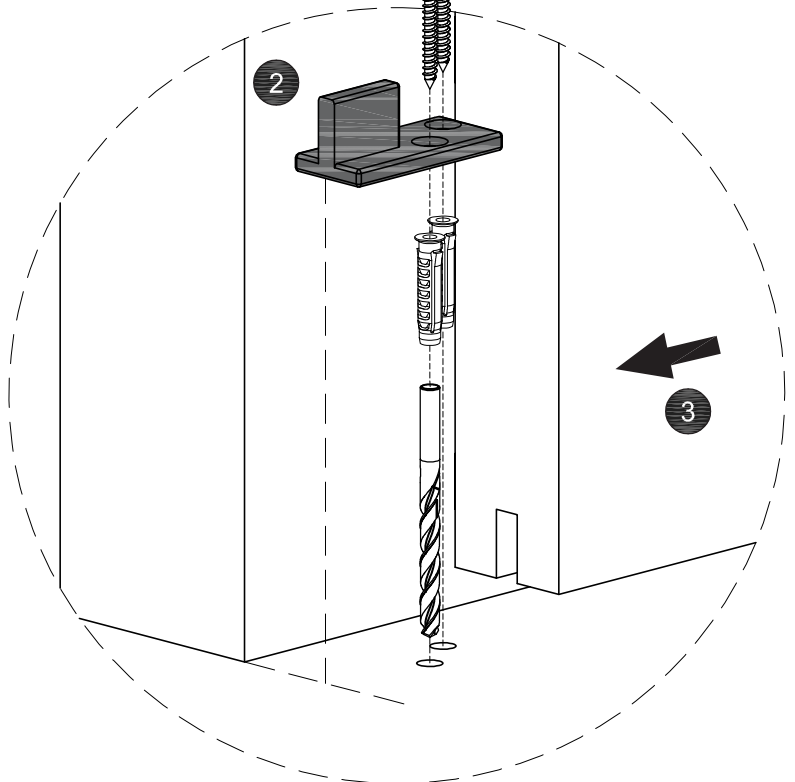
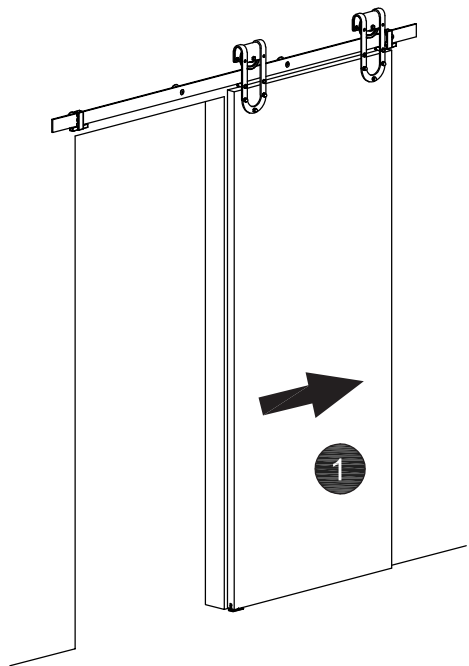
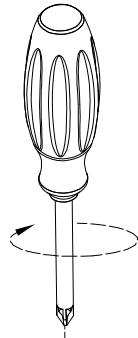
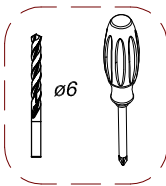
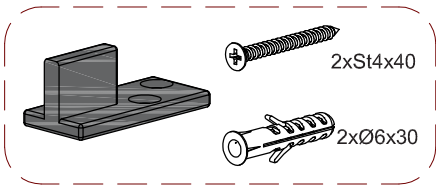
L



R

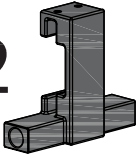


6

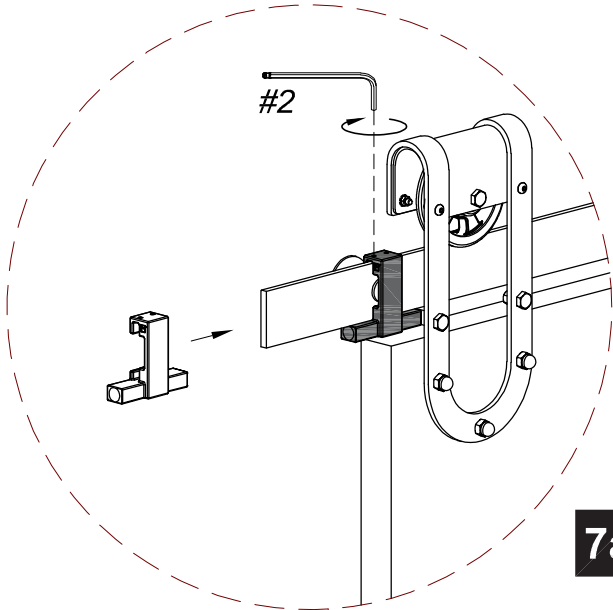
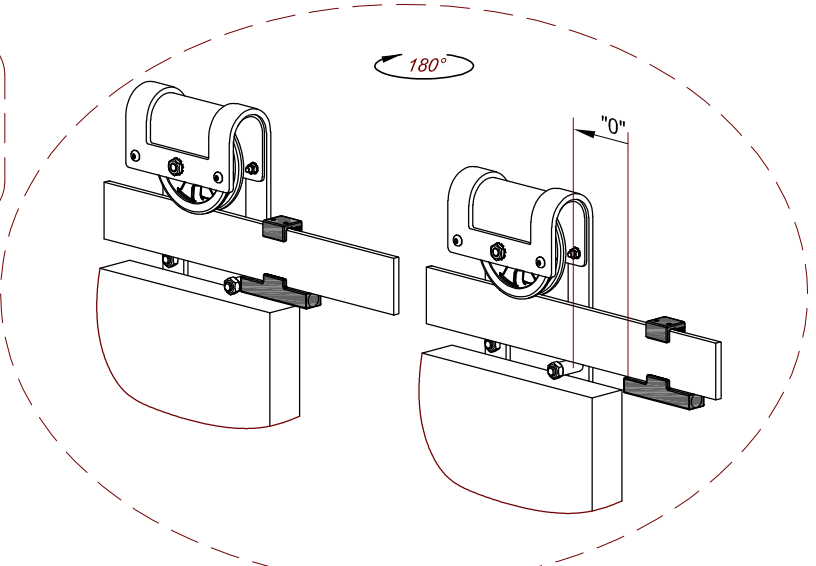
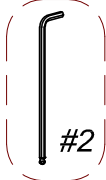


7

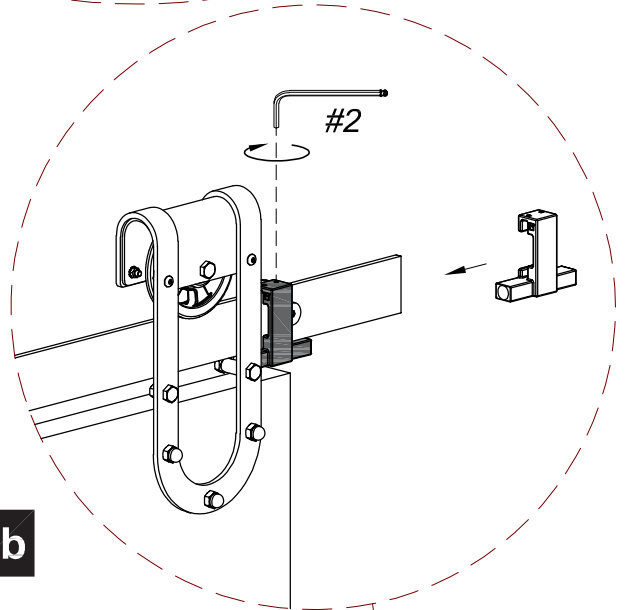
x2



#2



7a



7b

