



MANTION POLSKA

WWW.MANTION.PL

Thor | ROC DESIGN

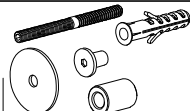
219-320, 219-330, 219-340, 219-350, 219-360
219-230, 219-231, 291-232, 291-233, 219-234



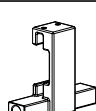
x1



x2



x4/x5/x6



x2



x2



x1



St4x40

Ø6x30

x2



M8

Ø8

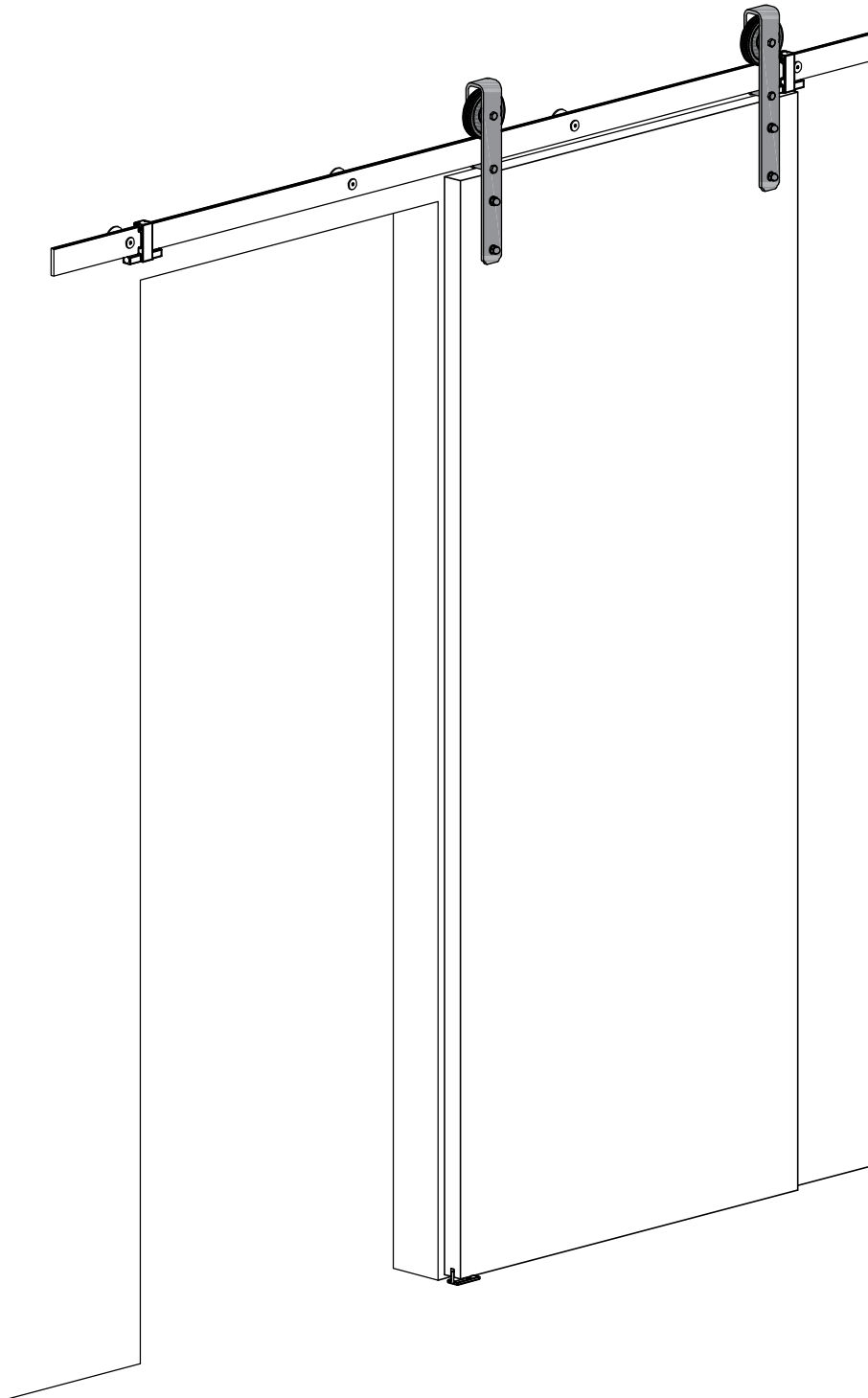
x4

x8



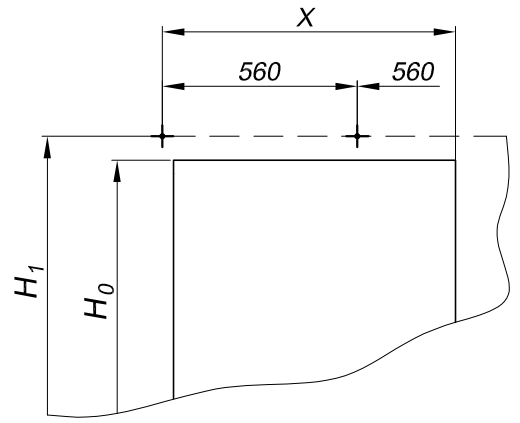
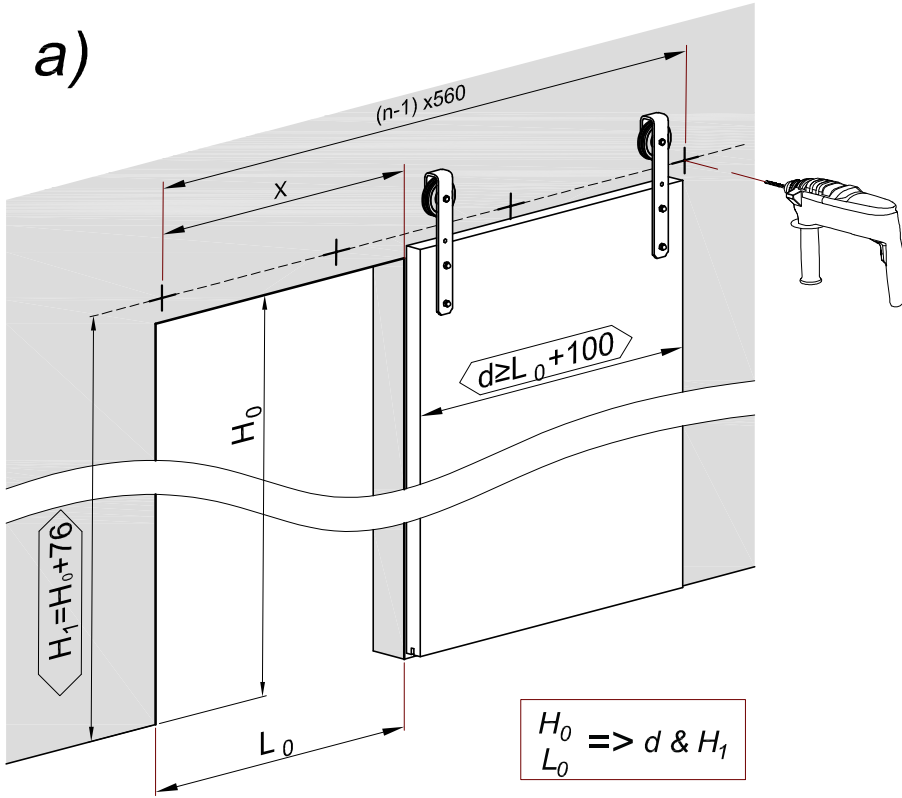
M8x55

x4



1

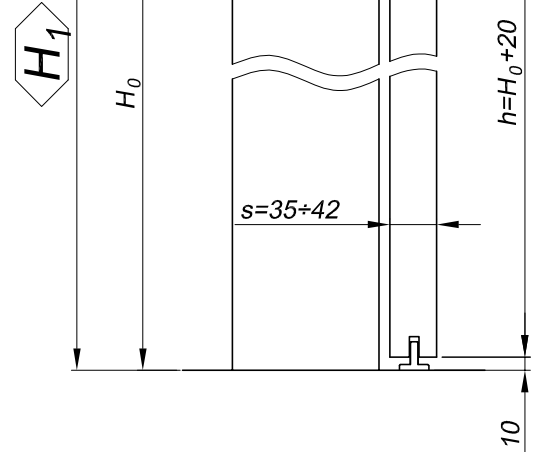
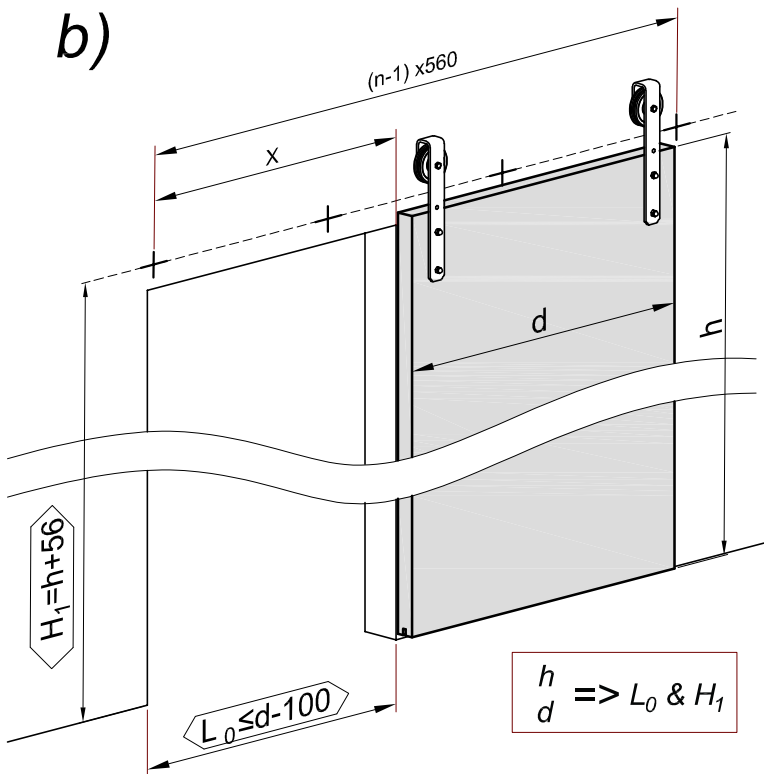
a)



L_{Track} [mm]	1950	2400	3000
X [mm]	840	1120	1400
n	4	5	6

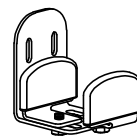
$H_0 \Rightarrow d \& H_1$
 L_0

b)



h
 $d \Rightarrow L_0 \& H_1$

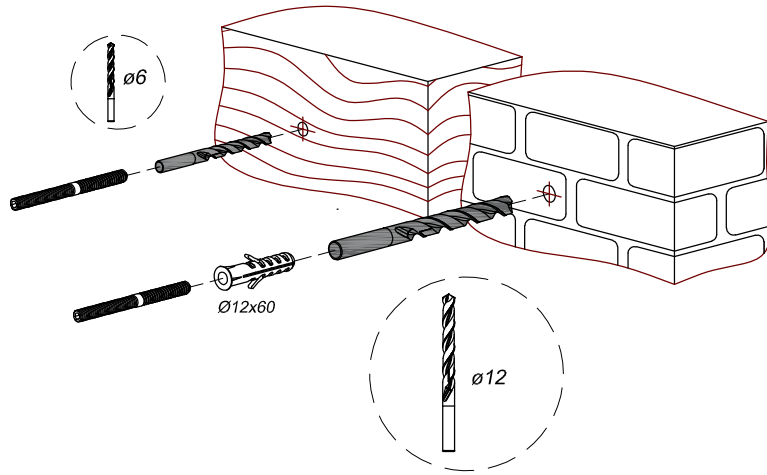
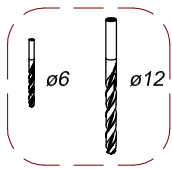
216-110
216-111



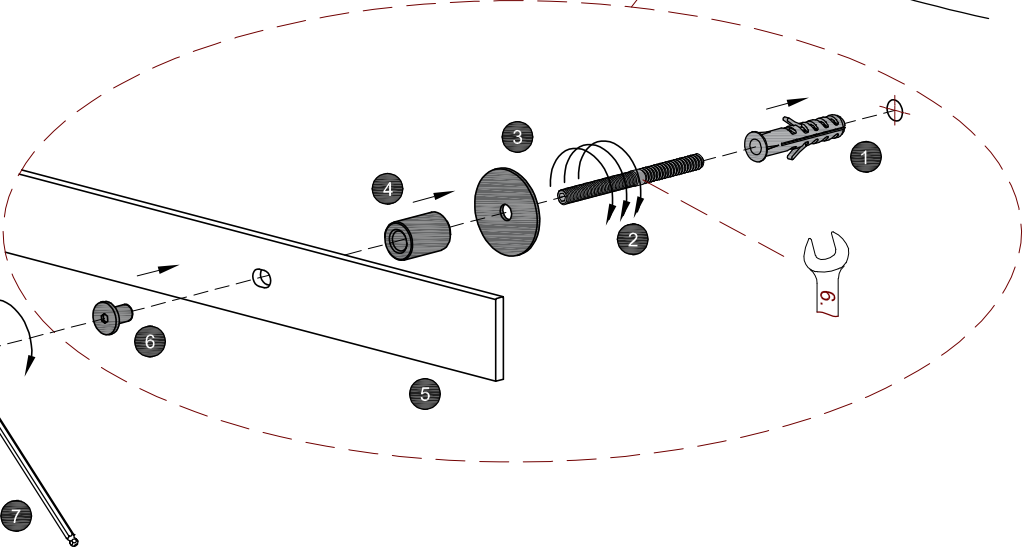
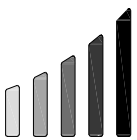
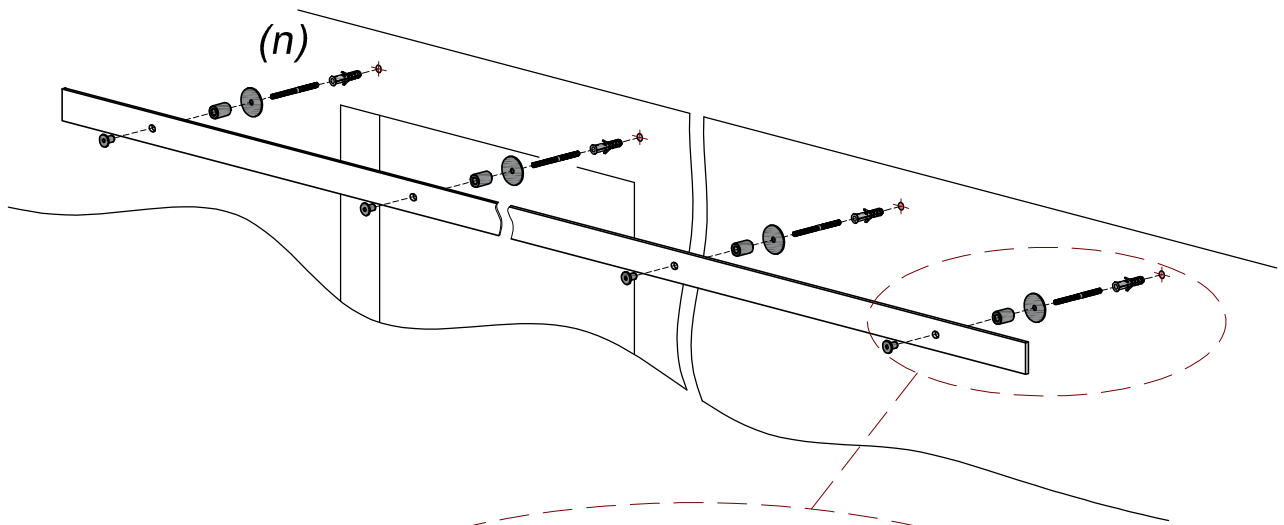
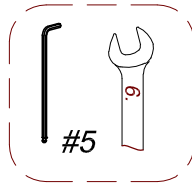
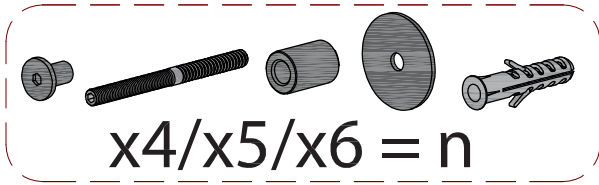
$H_1 = H_0 + 81$
 $H_1 = h + 61$



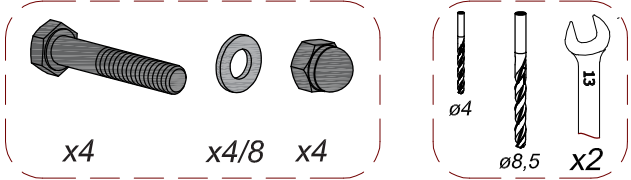
2



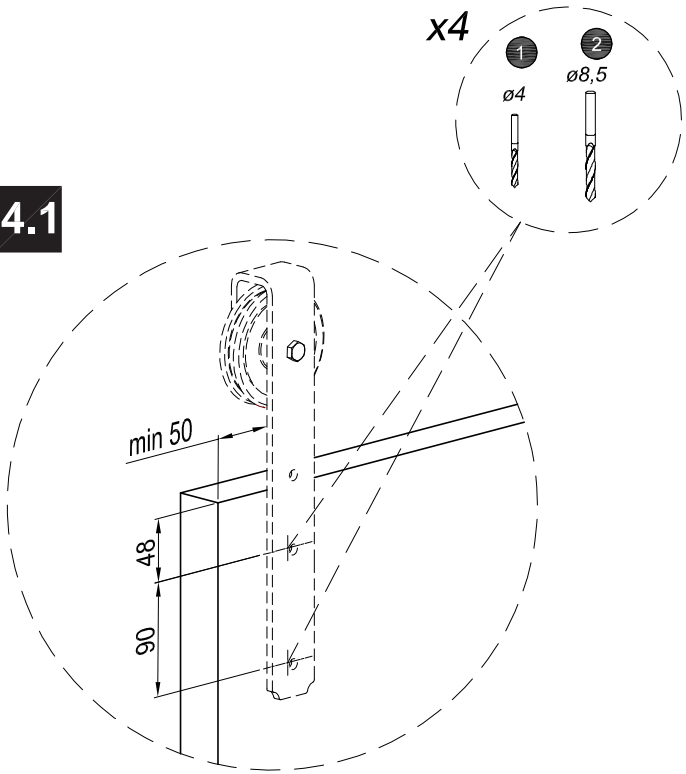
3



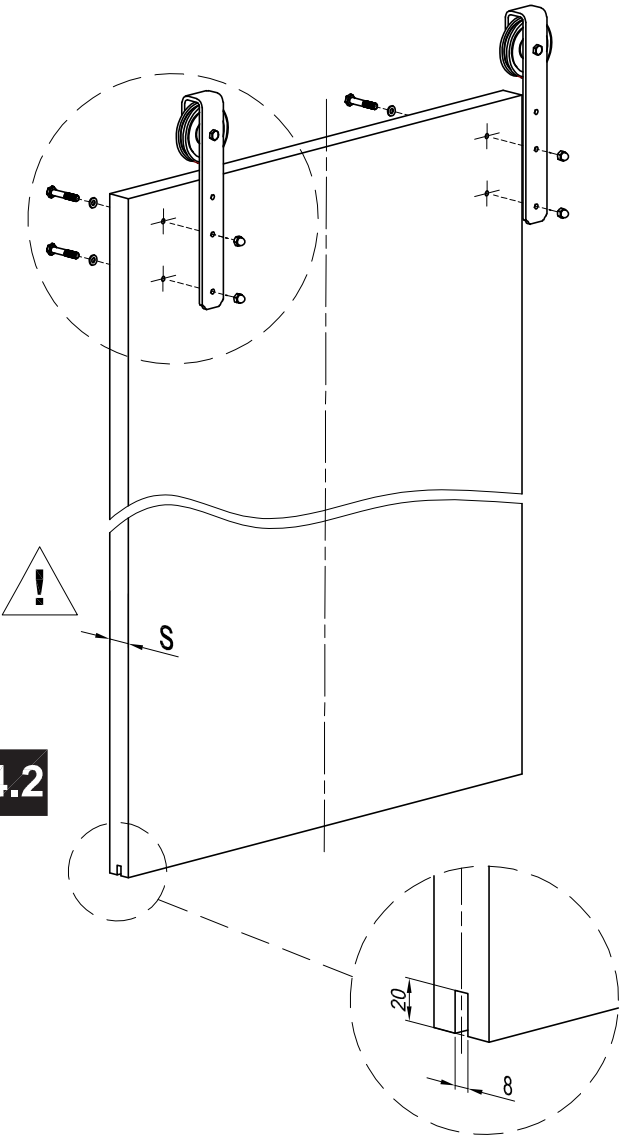
4



4.1



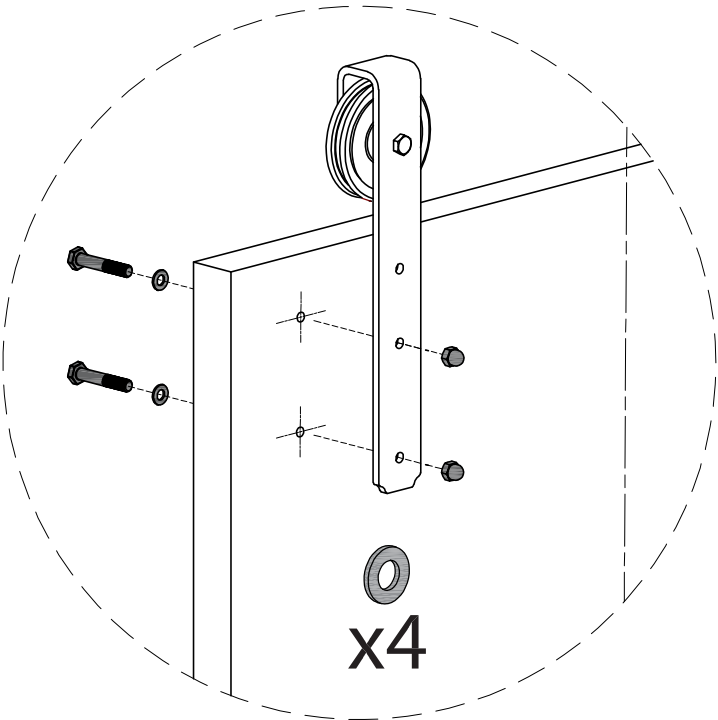
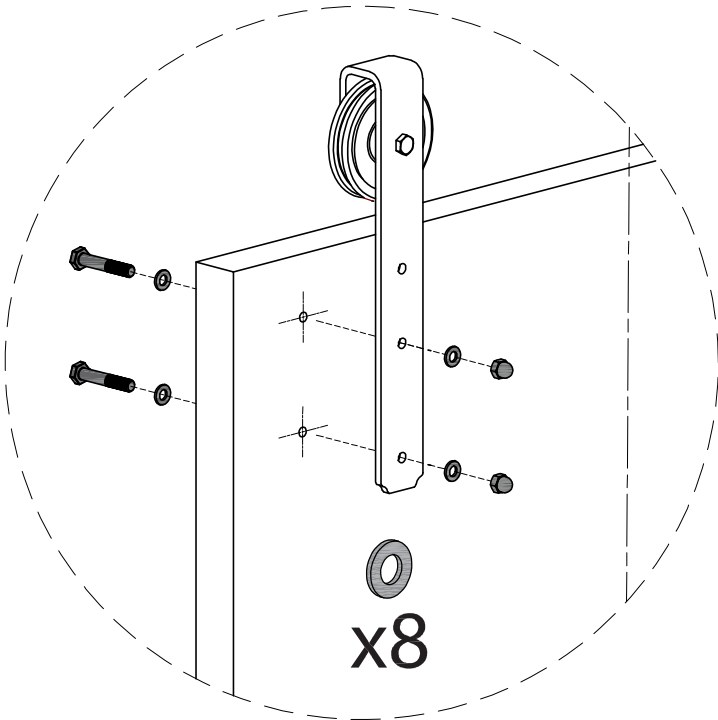
4.2



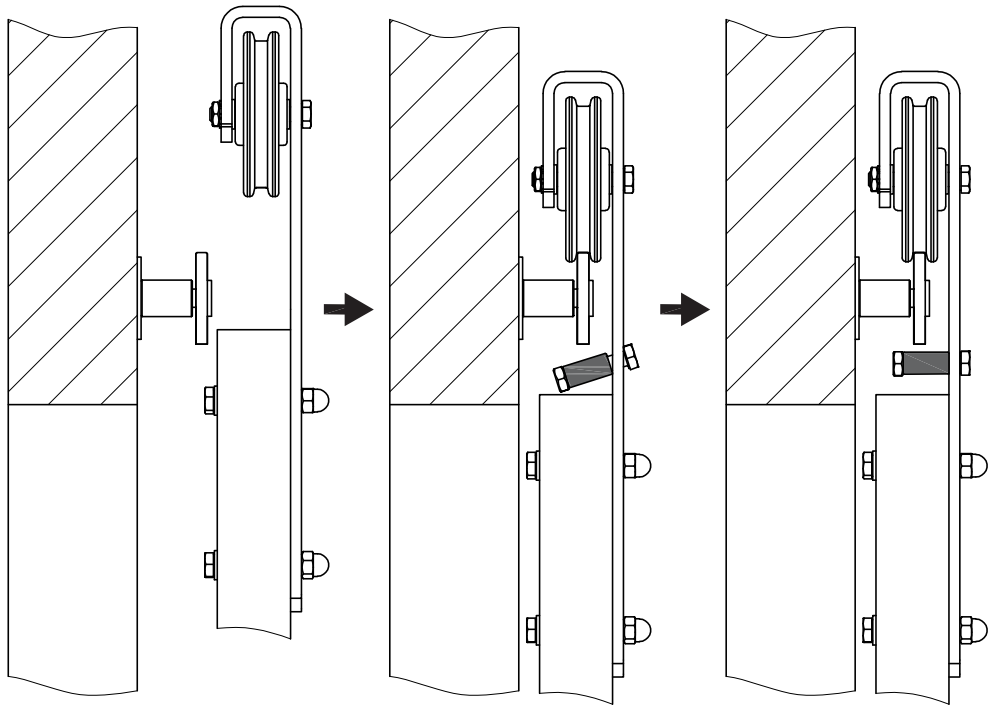
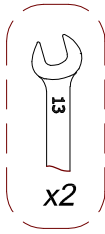
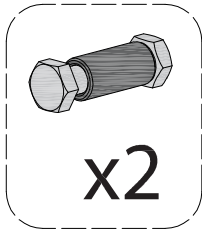
4.3

! $35 < s < 38$

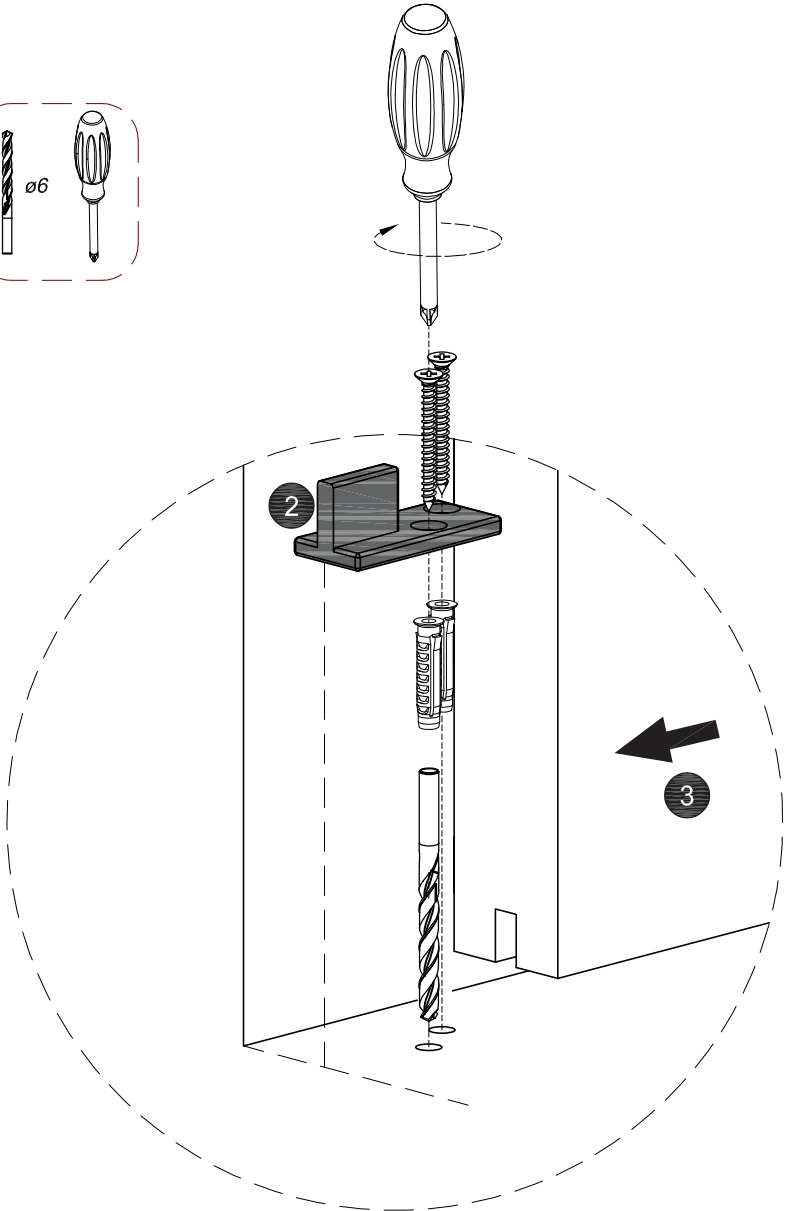
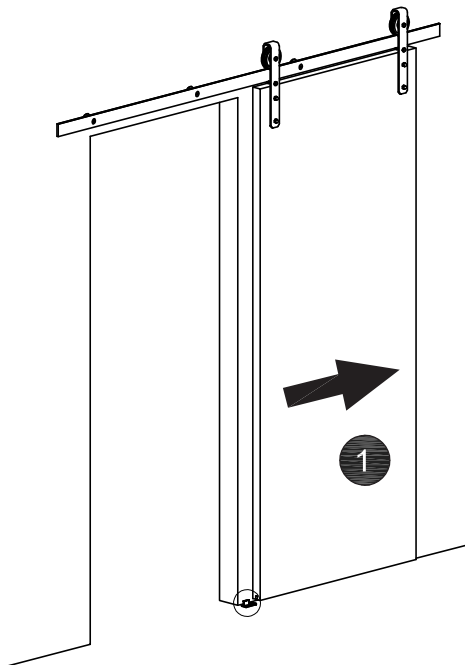
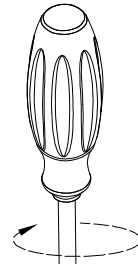
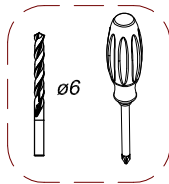
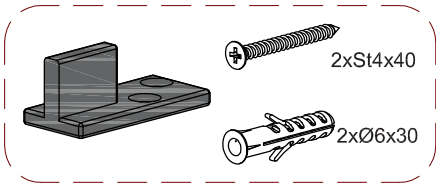
$38 \leq s < 42$



5

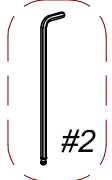
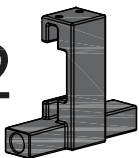


6

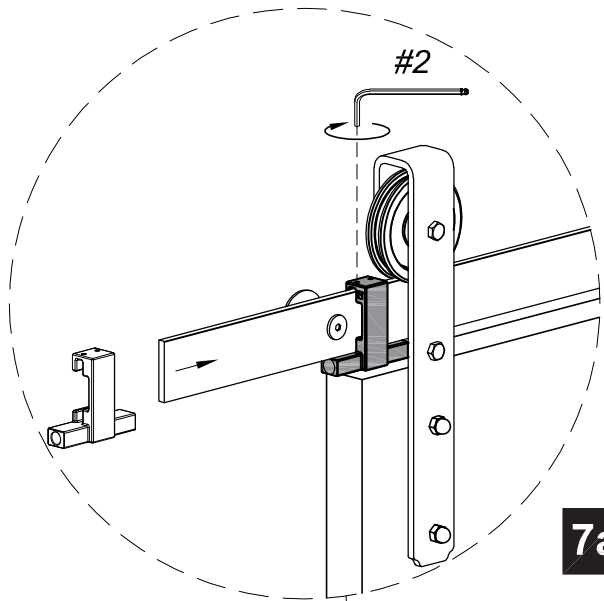
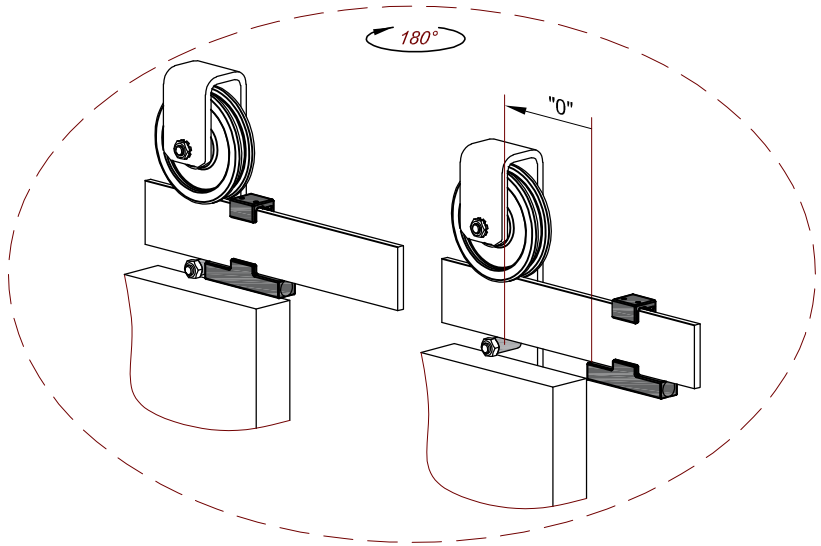


7

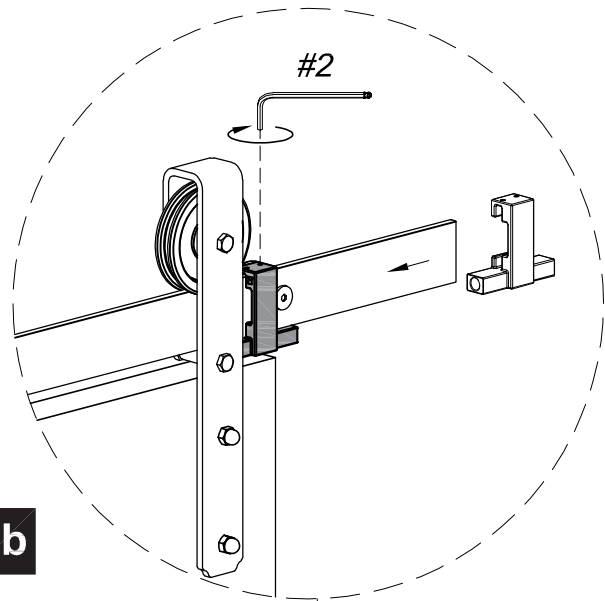
x2



#2



7a



7b

